



ASSEMBLY



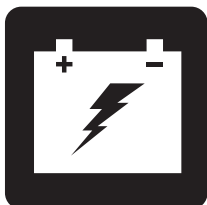
OPERATION



COMFORT



MAINTENANCE



BATTERY CHARGING



# MID-SIZE SCOOTER SERIES

## OWNER'S MANUAL

---

# SCOOTER FEATURES TABLE

Model	Console Style				Frame Lock-up Style		Lights (Optional)			Seat Style Options		Options *		
	A	B	C	D	A (Release Lever)	B (Lock-up Pin)	Headlight	Puddle Light	Full Light Package	A (Molded plastic)	B (CRS)	Suspension Seat Post	Hi-Low Switch	Handbrake Lever
93		•				•	•			•				
104		•				•	•			•				
609	•				•		•		•	•	•			
6092	•				•		•	•	•	•	•			
709	•				•		•		•	•	•	•		
7092	•				•		•	•	•	•	•	•		
610	•				•		•		•	•	•			
6102	•				•		•	•	•	•	•			
710	•				•		•		•	•	•	•		
7102	•				•		•	•	•	•	•	•		
610DX	•				•		•		•	•	•			
710DX	•				•		•		•	•	•	•	•	
710DX2	•				•		•	•	•	•	•	•	•	
610DXW	•				•		•		•	•	•		•	
710DXW	•				•		•		•	•	•		•	•
710DXW2	•				•		•	•	•	•	•		•	•
710LX			•		•		•	•	•	•	•		•	•
710LXW			•		•		•	•	•	•	•		•	
710ZT				•	•		•	•	•	•	•			
712	•				•		•		•	•	•	•		
712DX	•				•		•		•	•	•	•	•	

*\*NOTE: Scooter options vary by country. Please contact your Provider to determine which options are available for your Scooter.*

**NOTE:** Please become familiar with your scooter's model number. The number can be found on the product specification sheet in your owner's package. Throughout this owner's manual, Scooter attributes are identified by model number (far left-hand column on Scooter Features Table). Knowing your unit's model number will aid you in determining your particular scooter's unique characteristics.

## INTENDED USE

The intended use of this Pride Mobility Products device is to provide mobility assistance to persons with mobility impairment who have the capacity to operate a motorized mobility scooter.

## REGARDING DEVICES FOR PRESCRIPTION USE

**Our products are available for sale both as retail ("over-the-counter") and with a prescription. When prescribed, the following statement is applicable.**



**CAUTION! Federal law restricts this device to sale by or on the order of a physician or other certified personnel licensed by the law of the State (US only) or region in which this personnel practices to use or order the use of the device.**

**NOTE:** This owner's manual is compiled from the latest specifications and product information available at the time of publication. We reserve the right to make changes as they become necessary. Any changes to our products may cause slight variations between the illustrations and explanations in this manual and the product you have purchased. The latest/current version of this manual is available on our website.

**NOTE:** This product is compliant with WEEE, RoHS, and REACH directives and requirements.

**NOTE:** This product meets IPX4 classification (IEC 60529).

**NOTE:** The Mid-Size Scooter and its components are not made with natural rubber latex. Consult with the manufacturer regarding any after-market accessories.

# CONTENTS

<b>SAFETY GUIDELINES</b> .....	<b>3</b>
<b>I. SAFETY</b> .....	<b>4</b>
<b>II. YOUR SCOOTER</b> .....	<b>8</b>
<b>III. BATTERIES AND CHARGING</b> .....	<b>17</b>
<b>IV. OPERATION</b> .....	<b>24</b>
<b>V. COMFORT ADJUSTMENTS</b> .....	<b>26</b>
<b>VI. DISASSEMBLY AND ASSEMBLY</b> .....	<b>32</b>
<b>VII. BASIC TROUBLESHOOTING</b> .....	<b>34</b>
<b>VIII. CARE AND MAINTENANCE</b> .....	<b>36</b>

## SAFETY GUIDELINES



**WARNING!** An authorized Provider or qualified technician must perform the initial setup of this scooter and must perform all of the procedures in this manual.

The symbols below are used throughout this owner’s manual and on the scooter to identify warnings and important information. It is very important for you to read them and understand them completely.



**WARNING!** Indicates a potentially hazardous condition/situation. Failure to follow designated procedures can cause either personal injury, component damage, or malfunction. On the product, this icon is represented as a black symbol on a yellow triangle with a black border.



**MANDATORY!** These actions should be performed as specified. Failure to perform mandatory actions can cause personal injury and/or equipment damage. On the product, this icon is represented as a white symbol on a blue dot with a white border.



**PROHIBITED!** These actions are prohibited. These actions should not be performed at any time or in any circumstances. Performing a prohibited action can cause personal injury and/or equipment damage. On the product, this icon is represented as a black symbol with a red circle and red slash.

# I. SAFETY

## PRODUCT SAFETY SYMBOLS

The symbols below are used on the scooter to identify warnings, mandatory actions, and prohibited actions. It is very important for you to read and understand them completely.

**NOTE:** There are more warnings identified and explained in the Consumer Safety Guide that is included with your scooter. Please become familiar with all the warnings and safety information found in the Consumer Safety Guide and refer to this resource often.



Read and follow the information in the owner's manual.



Indicates **UNOCCUPIED** scooter securement points.



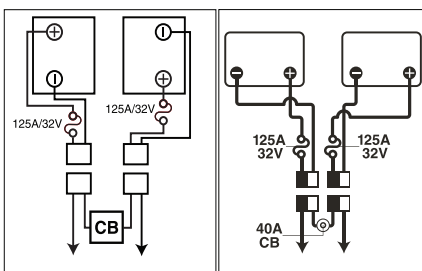
Scooter information label



Manufactured in



Does not meet ISO 7176-19 standards for occupied transport in a motor vehicle. When travelling in a motor vehicle, do not sit in your scooter.



### Battery Set Configuration:

**+** = Positive (Red) Terminal Post

**-** = Negative (Black) Terminal Post

Connect Red wires to Red Positive (+) Terminal Posts.

Connect Black wire to Black Negative (-) Terminal Posts.



Fully charge batteries before operating.

Remove key from an unattended scooter.

# I. SAFETY

## GENERAL



**MANDATORY! Do not operate your new scooter for the first time without completely reading and understanding this owner's manual and the Consumer Safety Guide.**

Your scooter is a state-of-the-art life-enhancement device designed to increase mobility. We provide an extensive variety of products to best fit the individual needs of the scooter user. Please be aware that the final selection and purchasing decision regarding the type of scooter to be used is the responsibility of the scooter user, who is capable of making such a decision and his/her healthcare professional (i.e., medical doctor, physical therapist, etc.).

The contents of this manual are based on the expectation that a mobility device expert has properly fitted the scooter to the user and has assisted the prescribing healthcare professional and/or the authorized Provider in the instruction process for the use of the product.

There are certain situations, including some medical conditions, where the scooter user will need to practice operating the scooter in the presence of a trained attendant. A trained attendant can be defined as a family member or care professional specially trained in assisting a scooter user in various daily living activities.

As you begin using your scooter during daily activities, you will probably encounter situations in which you will need some practice. Simply take your time and you will soon be in full and confident control as you maneuver through doorways, on and off elevators, up and down ramps, and over moderate terrain.

Additional general information can be found on the supplemental information sheets and booklets included in your Owner's Package. Please fully read and review the information, and keep it readily available for future reference.

Here are some precautions, tips, and other safety considerations that will help you become accustomed to operating the scooter safely.

# I. SAFETY

## PRE-RIDE SAFETY CHECK

Get to know the feel of your scooter and its capabilities. We recommend that you perform a safety check before each use to make sure your scooter operates smoothly and safely.

### Perform the following inspections prior to using your scooter:

- Check the condition of the tires. Make sure they are properly inflated and not damaged or excessively worn.
- Check all electrical connections. Make sure they are tight and not corroded.
- Check all harness connections. Make sure they are secured properly.
- Check the brakes to ensure they operate properly.
- Check the battery condition meter to ensure the batteries are fully charged.
- Ensure the manual freewheel lever is in drive mode before sitting on the scooter.

If you discover a problem, contact your authorized Provider for assistance. Please refer to the Contact Information insert in your Owner's Package.

## BRAKING INFORMATION

Your scooter is equipped with these powerful brake systems:

- Regenerative: Uses electricity to rapidly slow the vehicle when the throttle control lever returns to the center/stop position.
- Disc Park Brake: Activates mechanically after regenerative braking slows the vehicle to near stop or when power is removed from the system for any reason.
- (Optional) Handbrake: This lever provides you with emergency stopping power. See II. "Your Scooter."

## HANDBRAKE LEVER (OPTIONAL)

The handbrake lever contains hydraulic fluid. When the lever is depressed, the fluid is pushed through the brake line to engage the brake pads against the brake discs. The handbrake lever is a completely sealed unit, meaning that the hydraulic fluid should not leak; however, there are certain safety measures that should be taken if the handbrake lever becomes cracked or damaged.

- Do not touch spilled material unless wearing protective equipment, such as safety goggles and gloves.
- For small spills, cover the material with dry earth, sand or other non-combustible absorbent material. Once absorbed, enclose the material in a plastic bag and contact your local waste disposal agency for proper disposal measures. Do not expose the material to waterways or sewers.
- If the eyes are exposed, check for and remove contact lenses. Flush eyes with cool, clean, low-pressure water while occasionally lifting and lowering the eyelids. Seek medical attention if excessive tearing, redness or pain persists.
- If the skin is exposed, remove all contaminated clothing. Wipe off excess material and wash exposed skin with soap and water. Seek medical attention if skin appears damaged or if irritation persists. Thoroughly clean contaminated clothing before reuse. Discard contaminated leather goods.
- If ingested, do not induce vomiting or give anything to drink unless directed to by a physician. Never give anything by mouth to a person who is not fully conscious. Seek medical attention immediately.

# I. SAFETY

- If inhaled, move the affected individual to fresh air. If the affected individual is not breathing, immediately begin rescue breathing. If breathing is difficult, 100% humidified oxygen should be administered by a qualified individual. Seek medical attention immediately and keep the affected individual warm and at rest.
- If ignited, use dry chemical, foam, carbon dioxide or water fog to extinguish.



**WARNING! Do not modify the handbrake lever or attempt to replace the hydraulic fluid. If damage occurs, follow the safety information in this section and contact your authorized Provider for handbrake replacement. The hydraulic handbrake should only be serviced or replaced by your authorized Provider.**

**WARNING! The handbrake contains hydraulic fluid that can cause mild skin, eye and nasal/bronchial irritation. Do not attempt to adjust or service the handbrake without proper protective equipment such as safety goggles and gloves and wash hands after handling.**

# II. YOUR SCOOTER

## TILLER CONSOLE

The tiller console houses all of the controls needed to drive your scooter, including the speed adjustment dial, key switch, battery condition meter, horn buttons, turn signal buttons and the throttle control lever. Please note that some of the features listed in this section are optional items and may not appear on your scooter. Please refer to the Scooter Features Table on the inside of the front cover of this owner's manual to determine which console figure to choose. Contact your authorized Provider for more information. See figure 1, 2, 3, or 4.



**PROHIBITED! Do not expose the tiller console to moisture. In the event that the tiller console does become exposed to moisture, do not attempt to operate your scooter until the tiller console has dried thoroughly.**

### IDENTIFICATION KEY FOR FIGURES 1, 2, 3 AND 4

- |                              |                              |
|------------------------------|------------------------------|
| 1. HORN BUTTON               | 9. BATTERY CONDITION METER   |
| 2. *LEFT TURN SIGNAL BUTTON  | 10. KEY SWITCH               |
| 3. *HAZARD LIGHTS SWITCH     | 11. *MIRROR AND MIRROR PLUGS |
| 4. LIGHT SWITCH              | 12. *HANDBRAKE LEVER         |
| 5. *RIGHT TURN SIGNAL BUTTON | 13. *PUDDLE LIGHT SWITCH     |
| 6. *HI-LOW SWITCH            | 14. *POWER SEAT SWITCH       |
| 7. THROTTLE CONTROL LEVER    | 15. *PUDDLE LIGHT            |
| 8. SPEED ADJUSTMENT DIAL     |                              |

\*OPTIONAL COMPONENTS AVAILABLE ON SOME MODELS

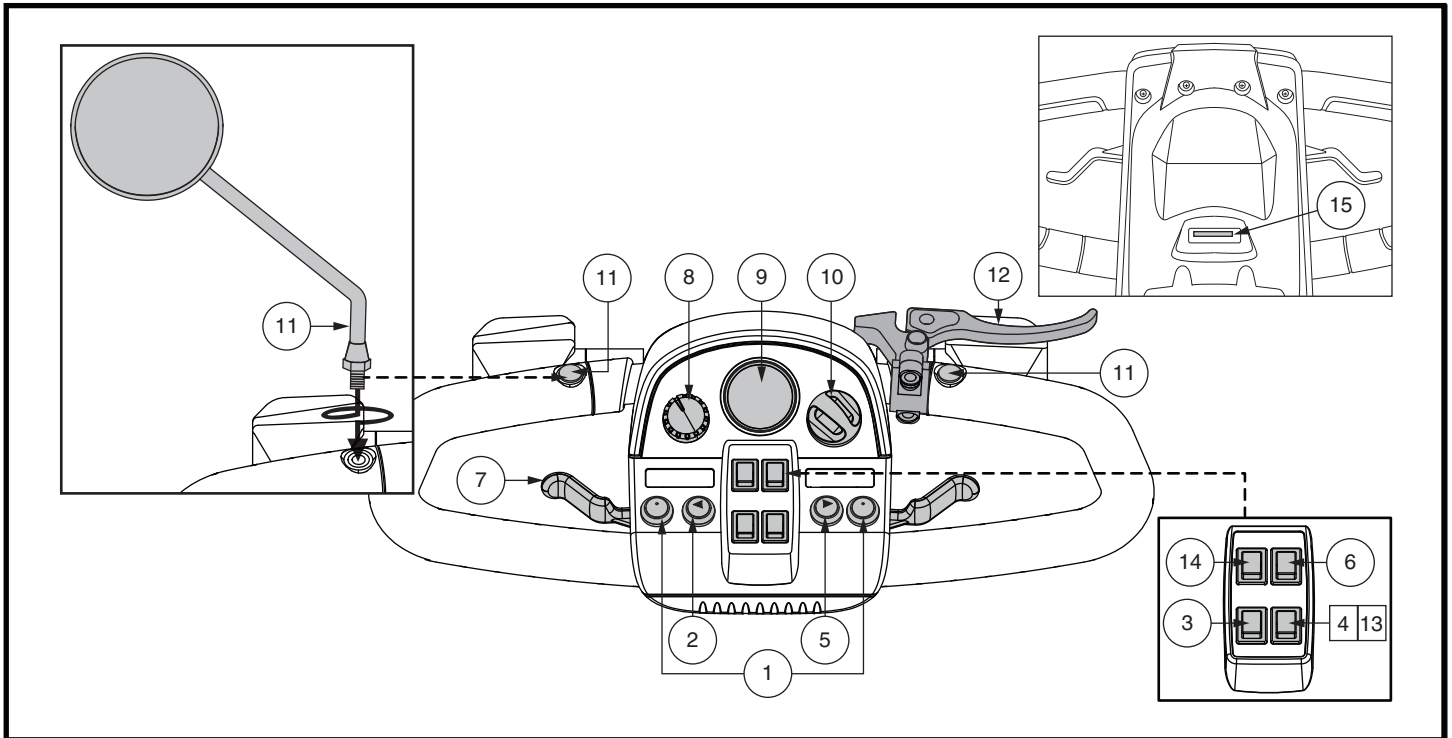


Figure 1. Tiller Console A



# II. YOUR SCOOTER

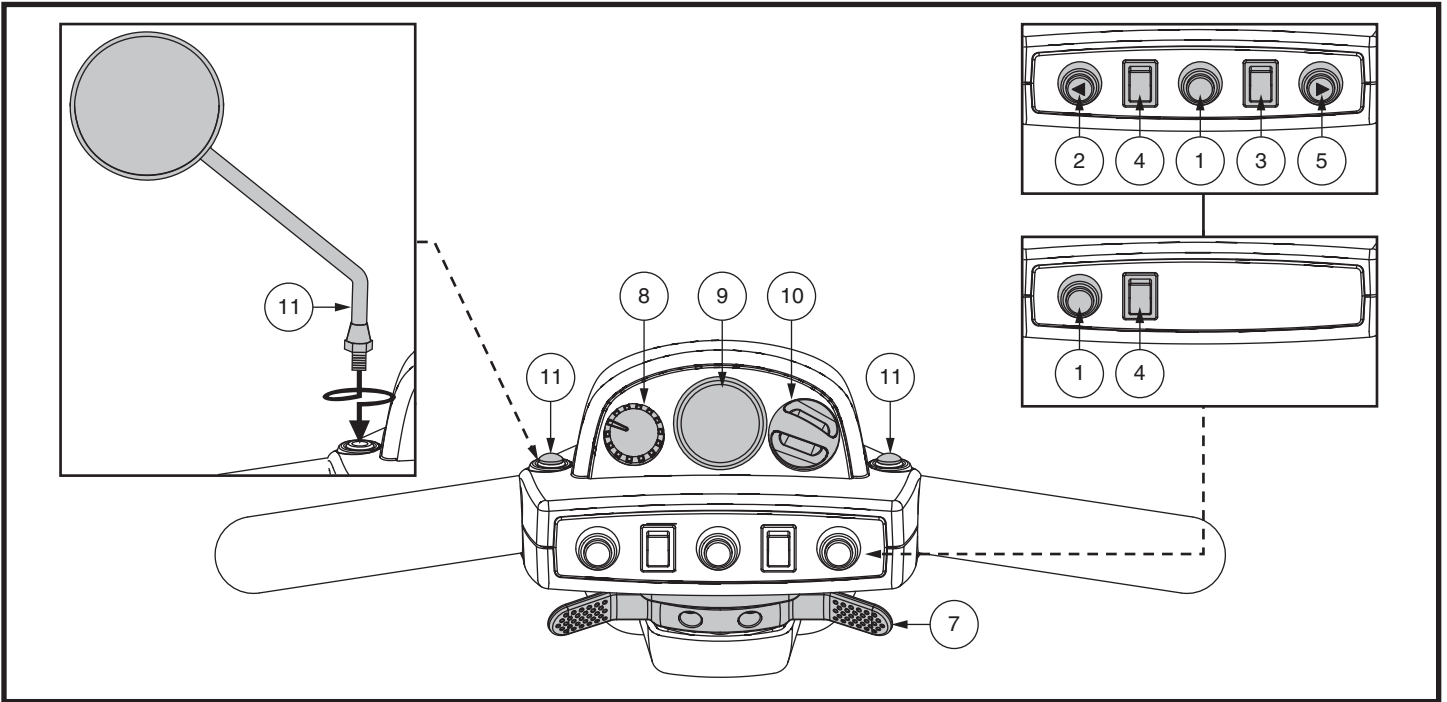


Figure 2. Tiller Console B

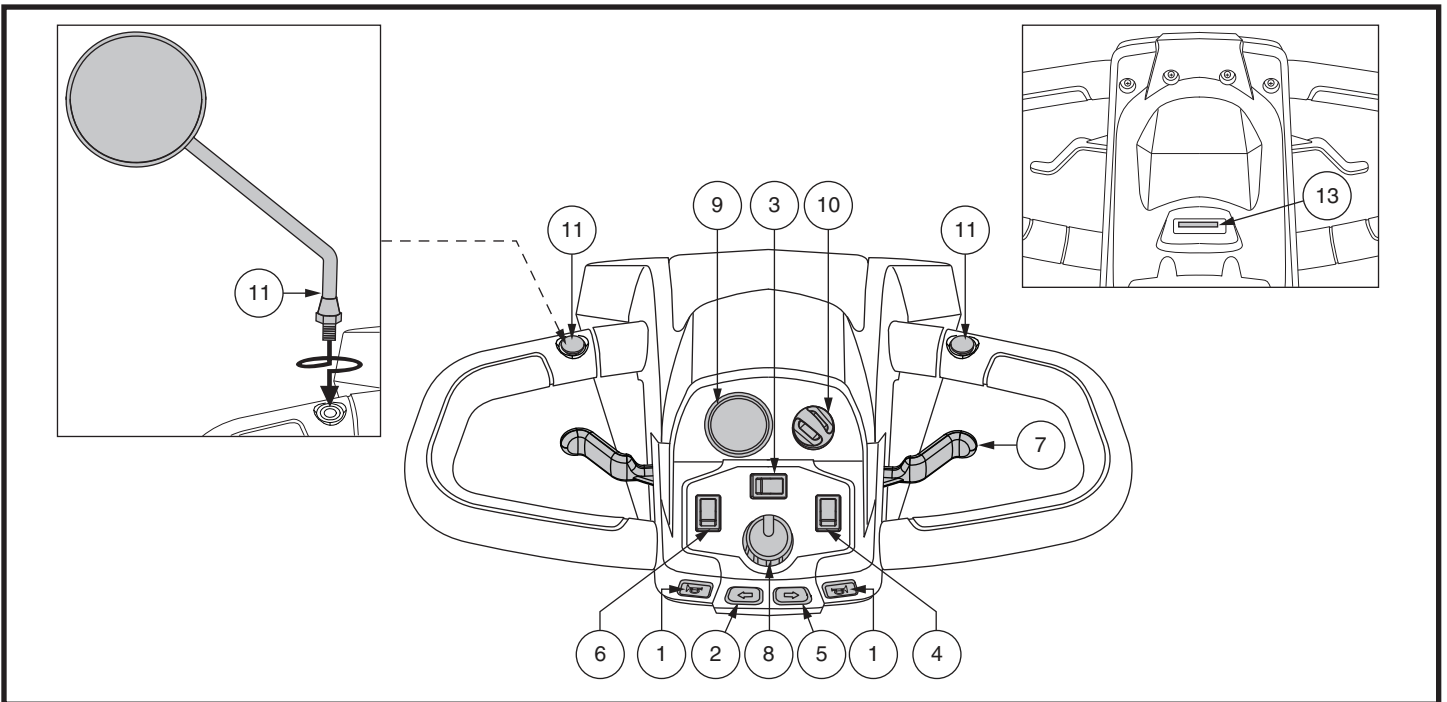


Figure 3. Tiller Console C

## II. YOUR SCOOTER

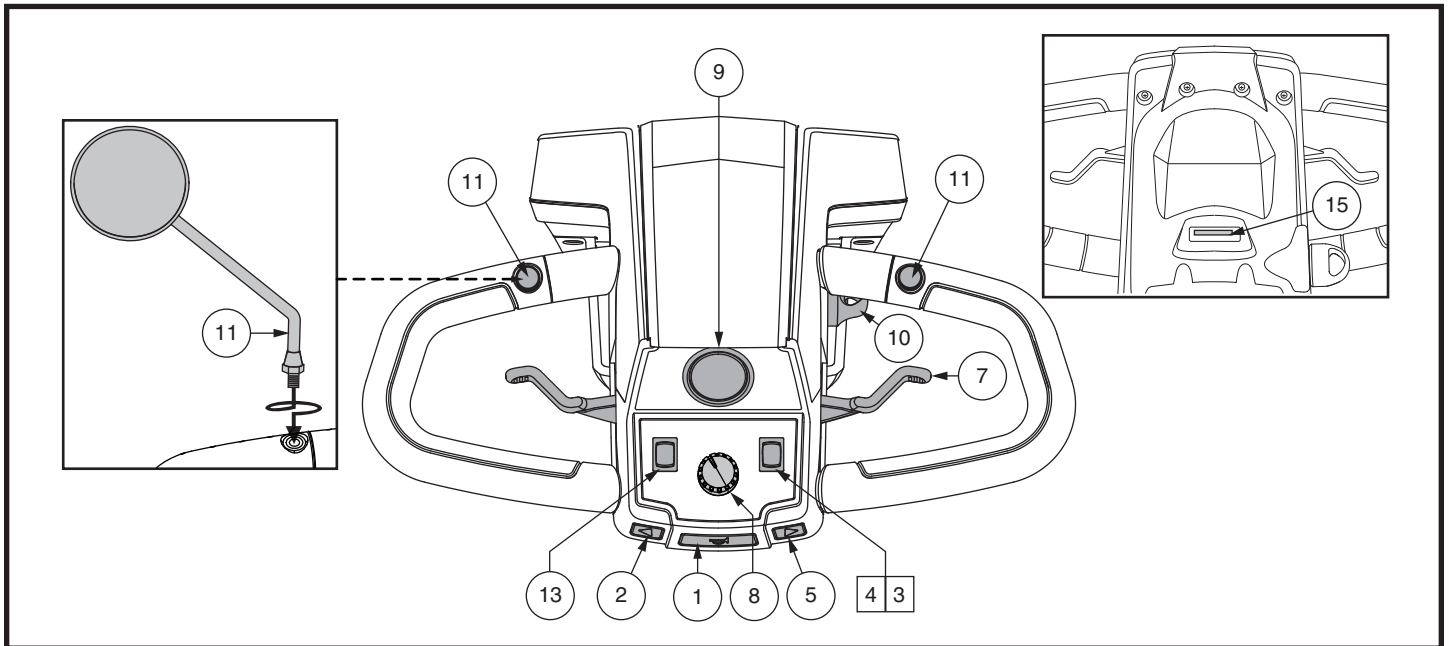


Figure 4. Tiller Console D

### Horn Buttons

These buttons activate a warning horn. Your scooter must be powered up for the horn to be operational. Do not hesitate to use the warning horn when doing so may prevent accident or injury.

### Turn Signal Buttons

Use these buttons to turn on the left and right turn signal (amber) lights.

- Push the left button to activate the left turn signal light. The turn signal indicator LED located in the battery condition meter will flash.
- Push the right button to activate the right turn signal light. The turn signal indicator LED located in the battery condition meter will flash.
- The turn signals are timed to shut off automatically.

### Lights Switch

*To operate light switch for models equipped with Tiller Console A, C, and D:*

- Toggle the switch forward to turn on the front lower light.
- Return switch to center position to deactivate lights.

*To operate light switch for models equipped with Tiller Console B:*

- Toggle the switch forward to turn on the front lower light.
- Toggle switch rearward to deactivate lights.

### Puddle Light

Some models are equipped with a puddle light. (Refer to the Scooter Features Table on the inside of the front cover for availability.)

*To operate puddle light for models equipped with Tiller Console A and C:*

- Toggle switch rearward to activate the puddle light.
- Return switch to center position to deactivate lights.

*To operate puddle light for models equipped with Tiller Console D:*

- Toggle the switch forward to activate the puddle light.
- Toggle switch rearward to deactivate the puddle light.

## II. YOUR SCOOTER



**WARNING!** Scooter users are required to use their lights when visibility is restricted—day or night.

### Hazard Lights Switch ▲

This switch activates the 4-way flashers on your scooter.

*To operate hazard lights for models equipped with Tiller Console A and B:*

- Toggle the switch forward to turn on the flashers.
- Toggle the switch rearward to turn off the flashers.

*To operate hazard lights for models equipped with Tiller Console C:*

- Toggle the switch to the right to turn on the flashers.
- Toggle the switch to the left to turn off the flashers.

*To operate hazard lights for models equipped with Tiller Console D:*

- Toggle the switch rearward to activate the flashers.
- Return switch to center position to deactivate flashers.

### Hi-Low Switch

This switch toggles the scooter's speed between Hi and Low. Toggle the switch forward (Hi) to achieve the maximum preprogrammed speed for the scooter. Toggle the switch rearward (Low) to achieve half the maximum preprogrammed speed of the scooter.

### Power Seat Switch (If Equipped)

The power seat switch activates the power seat actuator and enables you to raise and lower the seat automatically. Refer to VI. "Comfort Adjustments" for more information regarding power seat operation and safety.

### Throttle Control Lever

This lever allows you to control the forward speed and the reverse speed of your scooter up to the maximum speed you preset with the speed adjustment dial.

***NOTE:** The throttle control lever operation instructions outlined below apply to scooters in a standard configuration. If the programming of your scooter was modified in any way by a provider, contact that provider for correct throttle control level operation instructions.*

*To use throttle control lever for models equipped with Tiller Console A, C, and D:*

**To move Forward, use either of the following:**

- Use your left thumb to push the left side of the throttle control lever.
- Use your right hand fingers to pull back on the right side of the throttle control lever.

**To move Rearward, use either of the following:**

- Use your right thumb to push the right side of the throttle control lever.
- Use your left hand fingers to pull backward on the left side of the throttle control lever.

*To use throttle control lever for models equipped with Tiller Console B:*

- To move **Forward**, use your right thumb to push the right side of the throttle control lever.
- To move **Rearward**, use your left thumb to push the left side of the throttle control lever.

Release the throttle control lever and allow your scooter to come to a complete stop before engaging the other side of the lever. When the throttle control lever is completely released, it automatically returns to the center "stop" position and engages your scooter's brakes.

## II. YOUR SCOOTER

### Speed Adjustment Dial

This dial allows you to preselect and limit your scooter's top speed.

- The image of the **tortoise** represents the slowest speed setting.
- The image of the **hare** represents the fastest speed setting.

### For model 710ZT, the speed adjustment dial has three (3) speed control settings:

- The image of the leaf (ECO) represents the slowest speed setting.
- The image of the man (EV) represents the fast speed setting.
- The image of the flag (SPORT) represents the fastest speed setting.

### Battery Condition Meter

When the key is fully inserted and turned clockwise to power up your scooter, this meter indicates the approximate battery voltage strength. For further information on battery charging, see III. "Batteries and Charging."

### Status LED (If Equipped)

The status LED alerts you to electrical problems that may occur with the scooter. The LED remains constantly lit while your scooter is on. If your scooter develops an electrical problem, the status LED will flash a code. See VII. "Basic Troubleshooting" for flash codes.

### Key Switch

- Insert the key into the key switch and turn it clockwise to power up (turn on) your scooter.
- Turn the key counterclockwise to power down (turn off) your scooter.



**WARNING!** If the key is turned to the "off" position while your scooter is in motion, the electronic brakes will engage and your scooter will come to an abrupt stop.

### Mirror Positioning and Adjustment

For information on positioning and adjusting your mirror, see V. "Comfort Adjustments."

### Handbrake Lever (If Equipped)

This lever provides you with emergency stopping power. When in motion, release the throttle control lever and gently squeeze the handbrake lever to come to a stop.

The handbrake can be locked and used as a parking brake by squeezing the handbrake lever fully and moving the brake lock to the locked position. See **figure 1**. To release the brake lock, fully squeeze the handbrake.



**WARNING!** The handbrake is intended for use as an emergency brake and/or parking brake only.

### Off-board Charger Port

The off-board charger power cord plugs into this port during battery charging. The off-board charger port is located on the tiller. See **figure 5**.

### Electrical System Fuses

Your scooter is equipped with a series of electrical system fuses, which help protect the off-board charging system, key switch and lighting system from receiving an overload of electrical current. These fuses are the same type used in automobiles and are located in a compartment on the tiller. See **figure 5**. See VIII. "Care and Maintenance" for fuse replacement.

**NOTE:** Keep all electrical areas clean and free of moisture and foreign material.

#### IDENTIFICATION KEY

1. OFF-BOARD CHARGER PORT
2. OFF-BOARD CHARGER FUSE
3. KEY SWITCH FUSE
4. LOWER HEADLIGHT FUSE
5. REAR TAIL LIGHTS FUSE
6. LEFT TURN SIGNAL FUSE
7. RIGHT TURN SIGNAL FUSE

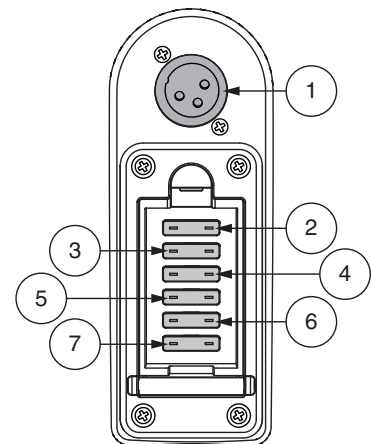


Figure 5. Off-board Charger Port/Tiller Console Fuses

## II. YOUR SCOOTER

### REAR COMPONENTS

The manual freewheel lever, anti-tip wheels, motor/transaxle assembly, and optional safety flag brackets are located on your scooter as shown. See figure 6. Although not shown, the batteries and main circuit breaker (reset button) are also located on the rear component section of your scooter.



**WARNING!** Before placing your scooter into or taking it out of freewheel mode, remove the key from the key switch. Never sit on a scooter when it is in freewheel mode. Never put a scooter in freewheel mode on any incline.

### Manual Freewheel Lever

Whenever you need or want to push your scooter for short distances, you can put it in freewheel mode.

1. Remove the key from the key switch.
2. Push forward on the manual freewheel lever to disable the drive system and the brake system. This will enable you to push the scooter.

**NOTE:** If your scooter is equipped with a 2-position manual freewheel lever, you must pull up on the lever and then push forward on the manual freewheel lever to disable the drive system and the brake system. This will enable you to push the scooter.

3. Pull back on the manual freewheel lever to reengage the drive and the brake systems and take your scooter out of freewheel mode.

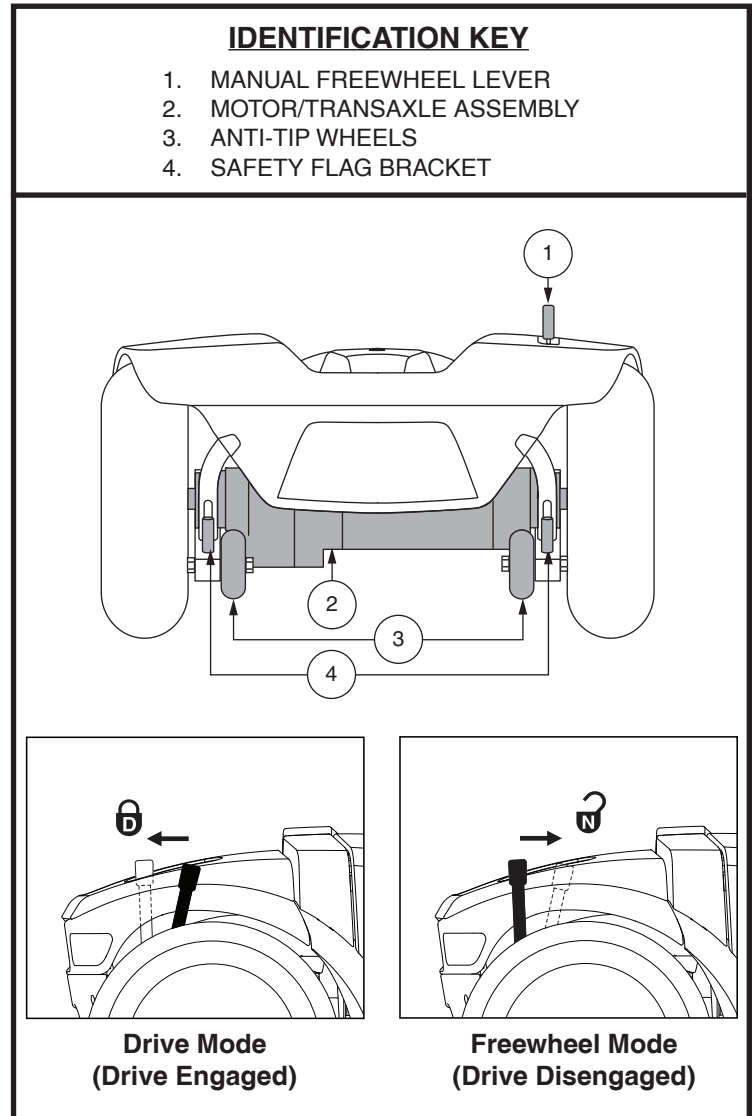


Figure 6. Rear Components



**WARNING!** When your scooter is in freewheel mode, the braking system is disengaged.

- Disengage the drive motors only on a level surface.
- Ensure the key is removed from the key switch.
- Stand to the side of the scooter to engage or disengage freewheel mode. Never sit on a scooter to do this.
- After you have finished pushing your scooter, always return it to the drive mode to lock the brakes.

**NOTE:** If the scooter is placed in freewheel mode (manual freewheel lever forward) while the key is in the “on” position, the scooter will not run until the manual freewheel lever is pushed rearward and the key is turned to the “off” position, then back to the “on” position.

## II. YOUR SCOOTER

### IDENTIFICATION KEY

1. MANUAL FREEWHEEL LEVERS
2. MOTOR/TRANSAXLE ASSEMBLY
3. ANTI-TIP WHEELS

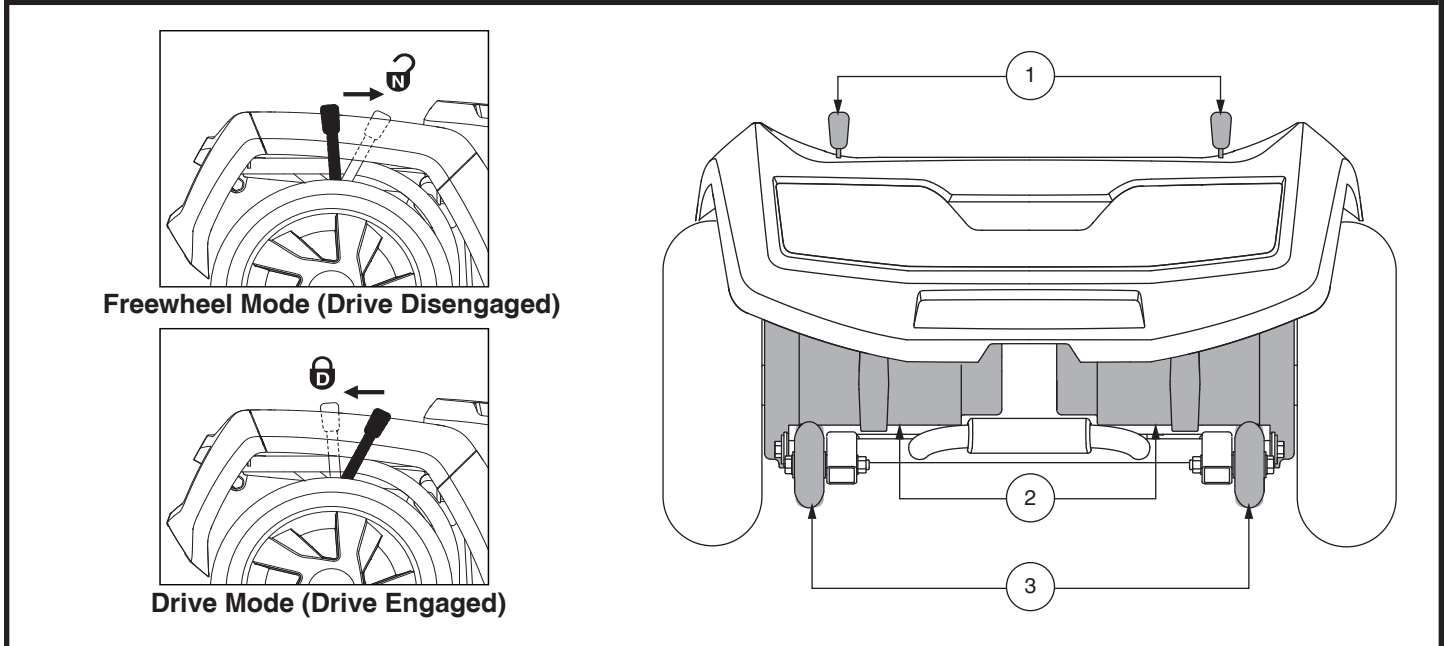


Figure 7. Rear Components - 710ZT

### Manual Freewheel Levers - 710ZT

For your convenience, your scooter has a manual freewheel lever on each motor. Manual freewheel levers enable you to disable the drive system in order to maneuver the scooter manually. See figure 7.



**WARNING!** Do not use the scooter while the drive motors are disengaged! Do not disengage the drive motors when the scooter is on an incline or decline, as the unit could roll on its own! Only engage the freewheel mode when on a level surface.

**WARNING!** It is important to remember that when your scooter is in freewheel mode, the braking system is disengaged.

**NOTE:** It is strongly recommended that you do not charge your batteries while in freewheel mode.

**NOTE:** You must turn off the power before disabling the drive systems; otherwise, you may get an error code on the scooter. To clear this code, turn off the scooter and place the scooter in drive mode. Then turn on the scooter. The error message should be cleared. If not, contact an authorized Provider.

### To engage or disengage the drive system:

1. Locate the levers on the rear section of the scooter. See figure 7.
2. Pull the two levers toward the front of the scooter to disengage the drive motors (freewheel mode).
3. Push the two levers toward the rear of the scooter to engage the drive motors (drive mode).

If a lever is difficult to move in either direction, rock your scooter back and forth slightly. The lever should then move to the desired position.



**WARNING!** Do not use the freewheel lever handles as tie-down points to secure this product.

## II. YOUR SCOOTER

### Motor/Transaxle Assembly

The motor/transaxle assembly is an electromechanical unit that converts electrical energy from your scooter's batteries into the controlled mechanical energy that drives the scooter's wheels.

### Anti-Tip Wheels

The anti-tip wheels are an integral and important safety feature of your scooter. They are bolted to the frame at the rear of the scooter.



**PROHIBITED!** Do not remove the anti-tip wheels or modify your scooter in any way that is not authorized by your Provider.



**WARNING!** The anti-tip wheels may cause interference with the smooth transition of your scooter when ascending or descending a curb. Contact your authorized Provider for more information.

### Storage Compartment (If Equipped)

Storage compartment is located in your scooter's tiller for the convenient storage of personal items.



**WARNING!** No personal property, pets, electronics or valuables should be stored in storage compartment and left unattended.

### Batteries

The batteries store electrical energy that powers your scooter. See III. "Batteries and Charging" for information on how to charge your scooter batteries.

### Safety Flag Bracket (Optional)

An accessory bracket for installing an optional safety flag is mounted near each anti-tip wheel. See figure 6. To install the flag, the supplied L-shaped hex key is needed.

#### To install the safety flag:

1. Remove the cap from the top of the bracket.
2. Loosen the setscrew with the supplied L-shaped hex key.
3. Insert the flag pole into the opening.
4. Tighten the setscrew to complete installation.

### Main Circuit Breaker (Reset Button)

When the voltage in the batteries becomes low or your scooter is heavily strained because of excessive loads, the main circuit breaker may trip to protect the motor and electronics from damage. When the breaker trips, the entire electrical system shuts down. See figure 8.

- The reset button pops out when the breaker trips.
- Allow a minute or so for the electronics to "rest."
- Push in the reset button to reset the breaker.
- If the breaker trips frequently, you may need to charge the batteries more often.
- If the main circuit breaker trips repeatedly, see your authorized Provider for service.

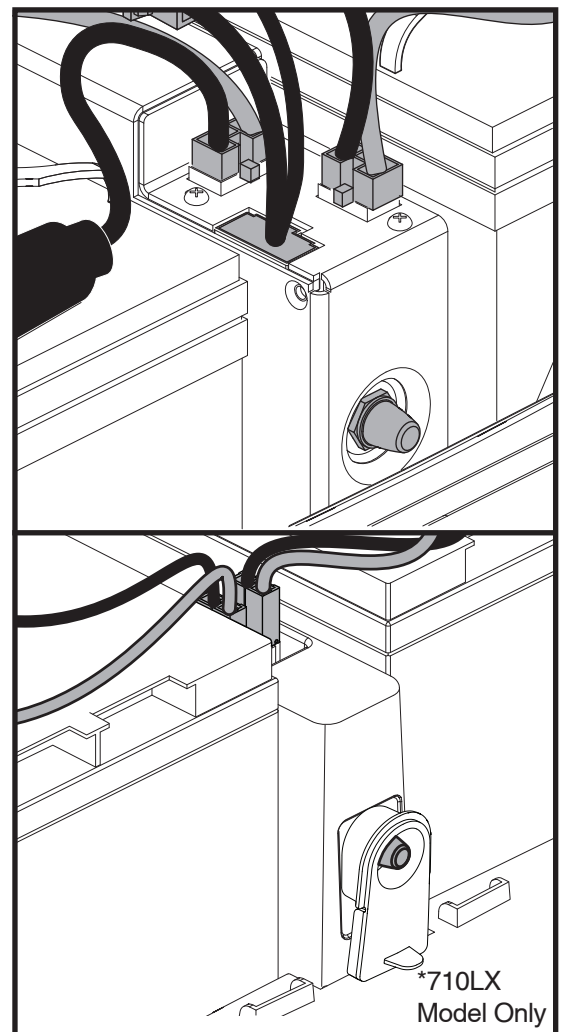


Figure 8. Main Circuit Breaker (Reset Button)

# II. YOUR SCOOTER

EN

## SECURING THE SCOOTER

Always secure the scooter in a forward-facing position in the vehicle. Attach the four tie-down straps to the designated securement points. See figures 9 and 10. Tighten the straps to sufficiently remove all slack. Never attach tie-downs to adjustable, moving or removable parts of the scooter such as armrests, shrouds, and wheels. Any removable items should be removed and stowed separately. Position the anchor points for the rear tie-down straps directly behind the rear securement points on the scooter. The front tie-down straps should anchor to floor points that are spaced wider than the scooter to provide increased lateral stability.

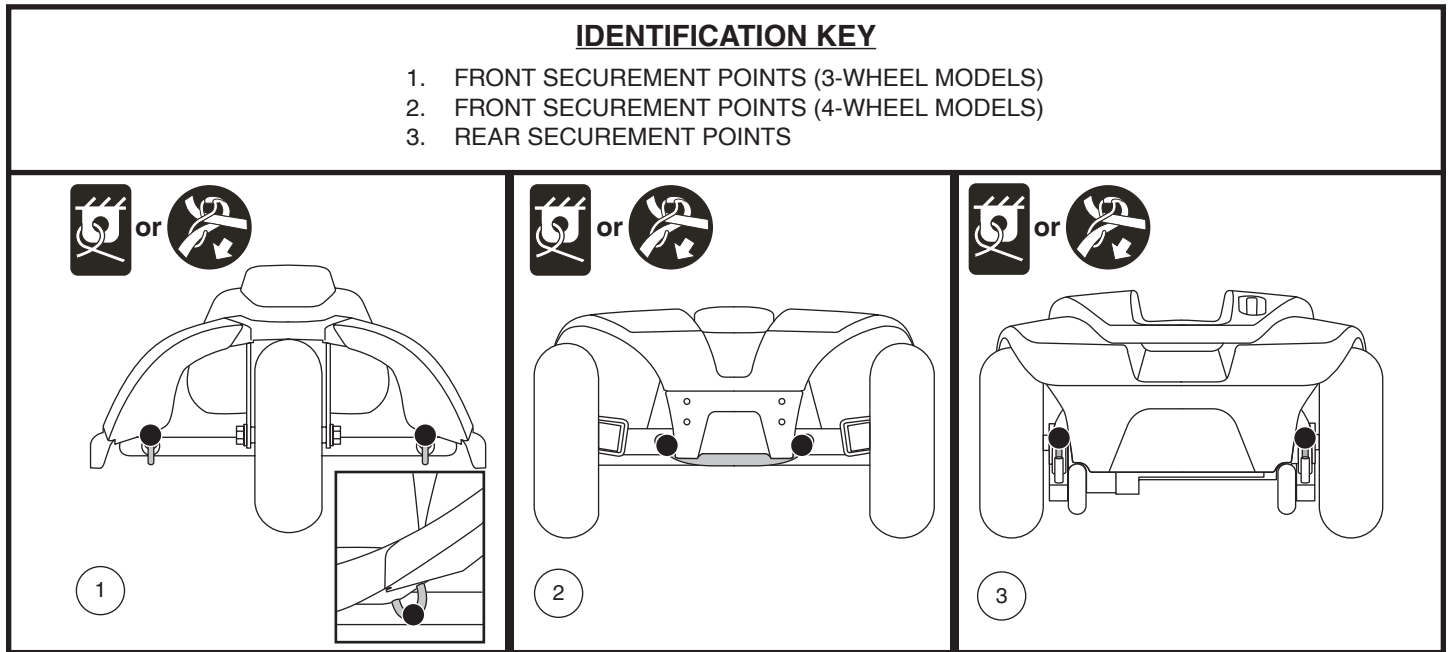


Figure 9. Securement Points (Identified with black dots)



**WARNING!** Ensure scooters are properly secured to the motor vehicle during transport. Scooters that are not properly secured can become a hazard to the user and to other vehicle passengers in the event of a crash, sudden stopping, or swerving, as the scooter could tip or slide out of place. Do not secure a scooter by any of its removable parts such as armrests, seat, basket, accessory brackets, etc.

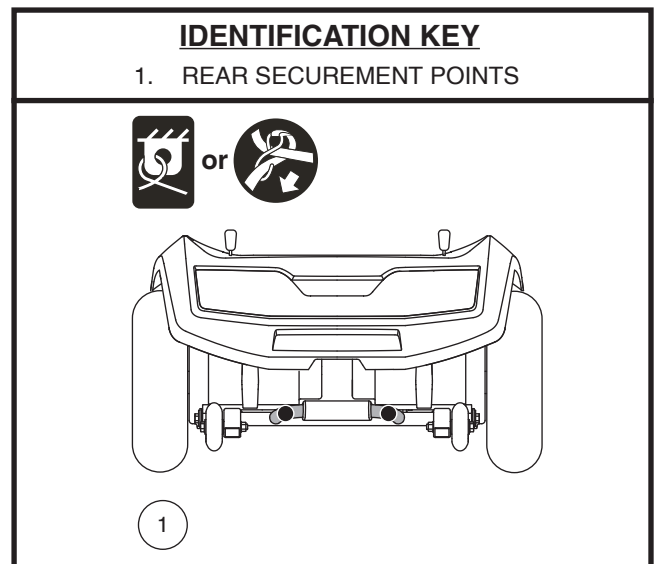


Figure 10. 710ZT - Securement Points (Identified with black dots)



# III. BATTERIES AND CHARGING

## BATTERIES AND CHARGING

Your scooter requires two long-lasting, 12-volt, deep-cycle batteries that are sealed and maintenance free. They are recharged by an off-board charging system.

- Charge your scooter's batteries for at least 8 to 14 hours prior to using it for the first time.
- Keep the batteries fully charged to keep your scooter running smoothly.

## READING YOUR BATTERY VOLTAGE

The battery condition meter on the tiller console indicates the approximate strength of your batteries using a color code. From right to left, green indicates fully charged batteries, yellow indicates a draining charge and red indicates that an immediate recharge is necessary. See figure 11. To ensure the highest accuracy, the battery condition meter should be checked while operating your scooter at full speed on a dry, level surface.

*NOTE: Ambient Meter (Battery Condition Meter 1c) adjusts brightness based on environmental lighting.*

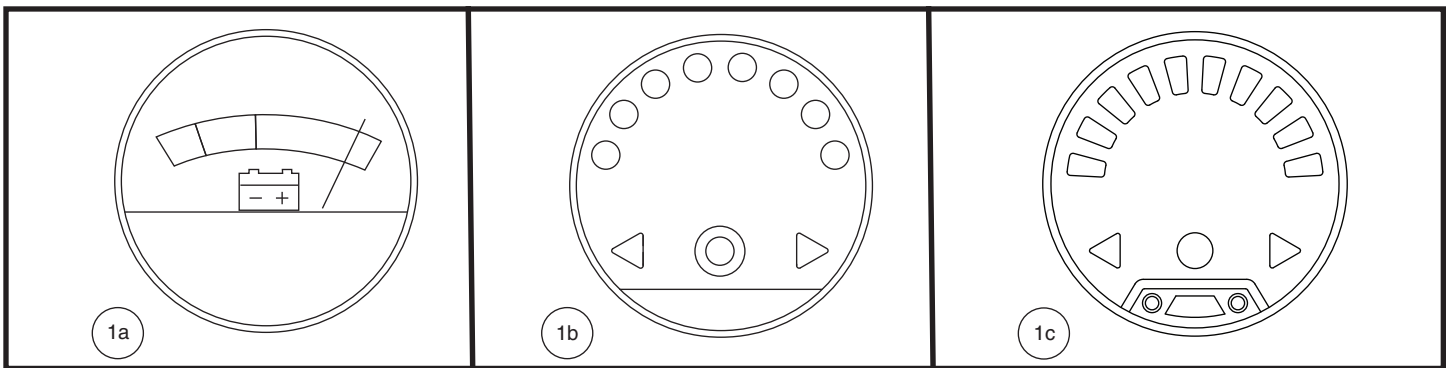


Figure 11. Battery Condition Meter

## CHARGING YOUR BATTERIES



**PROHIBITED!** Removal of grounding prong can create electrical hazard. If necessary, properly install an approved 3-pronged adapter to an electrical outlet having 2-pronged plug access.



**PROHIBITED!** Never use an extension cord to plug in your battery charger. Plug the charger directly into a properly wired standard electrical outlet.



**PROHIBITED!** Do not allow unsupervised children to play near the scooter while the batteries are charging. We recommend that you do not charge the batteries while the scooter is occupied.



**MANDATORY!** Read the battery charging instructions in this manual and in the manual supplied with the battery charger before charging the batteries.



**WARNING!** Explosive gases may be generated while charging the batteries. Keep the scooter and battery charger away from sources of ignition such as flames or sparks and provide adequate ventilation when charging the batteries.

**WARNING!** You must recharge your scooter's batteries with the supplied off-board charger. Do not use an automotive-type battery charger.



**WARNING!** Inspect the battery charger, wiring and connectors for damage before each use. Contact your authorized Provider if damage is found.

**WARNING!** Do not attempt to open the battery charger case. If the battery charger does not appear to be working correctly, contact your authorized Provider.

# III. BATTERIES AND CHARGING



**WARNING!** If the battery charger is equipped with cooling slots, then do not attempt to insert objects through these slots.



**WARNING!** Be aware that the battery charger case may become hot during charging. Avoid skin contact and do not place on surfaces that may be affected by heat.

**WARNING!** If your battery charger has not been tested and approved for outdoor use, then do not expose it to adverse or extreme weather conditions. If the battery charger is exposed to adverse or extreme weather conditions, then it must be allowed to adjust to the difference in environmental conditions before use indoors. Refer to the manual supplied with the battery charger for more information.

Follow the 6 easy steps in figure 12 to charge your batteries safely:

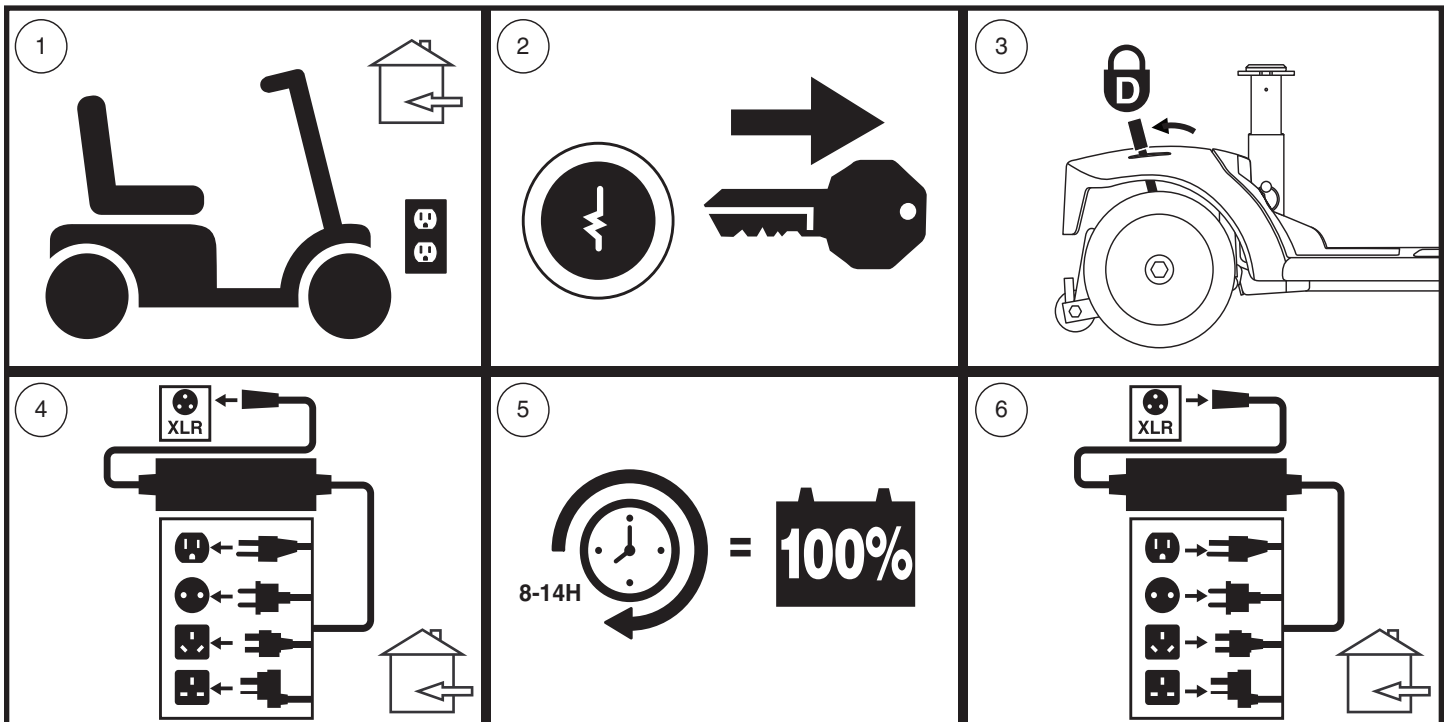


Figure 12. Battery Charging Procedures Diagram

**NOTE:** For model 710ZT, the manual freewheel levers operate in the opposite direction (see figure 7). Therefore, for step 3 of figure 12, the levers must be pushed forward to engage drive mode.



**WARNING!** The LED lights on the charger indicate different charger conditions at various times. If the LED does not indicate that charging is complete within 24 hours, unplug the charger from the outlet and contact your Provider. Refer to the operating instructions supplied with the charger for a complete explanation of these indicators.

**NOTE:** There is a charger inhibit function on your scooter. The scooter will not run and the battery condition meter will not operate while the batteries are charging.

## FREQUENTLY ASKED QUESTIONS

### How does the charger work?

When your scooter's battery voltage is low, the charger works harder, sending more electrical current to the batteries to bring up their charge. As the batteries approach a full charge, the charger sends less and less electrical current. When the batteries are fully charged, the current sent from the charger is at nearly zero amperage. Therefore, when the charger is plugged in, it maintains the charge on your scooter's batteries, but does not overcharge them. Refer to the manual supplied with the battery charger for charging instructions.

# III. BATTERIES AND CHARGING

## Can I use a different charger?

Chargers are selected precisely for particular applications and are especially matched to the type, size and chemical formulation of specific batteries. For the safest and most efficient charging of your scooter's batteries we recommend only use of the charger supplied as original equipment with your product. Any charging method resulting in batteries being charged individually is especially prohibited.

## What if my scooter's batteries won't charge?

- Ensure the red (+) and black (-) battery cables are connected properly to the battery terminals.
- Ensure both battery harnesses that extend from the batteries are plugged into their mating harness leading to the charger.
- Ensure both ends of the charger power lead are inserted fully.
- Ensure the charger fuse on the tiller is not blown. **See figures 5 and 31.**

## How often must I charge the batteries?

Two major factors must be considered when deciding how often to charge your scooter's batteries:

- All day scooter use on a daily basis.
- Infrequent or sporadic scooter use.

With these considerations in mind, you can determine how often and for how long you should charge your scooter's batteries. The battery charger was designed so that it will not overcharge your scooter's batteries. However, you may encounter some problems if you do not charge your batteries often enough and if you do not charge them on a regular basis. Following the guidelines below will provide safe and reliable battery operation and charging.

- If you use your scooter daily, charge its batteries as soon as you finish using it for the day. Your scooter will be ready each morning. We recommend that you charge your scooter's batteries for at least 8 to 14 hours after daily use. We recommend that you charge the batteries for an additional 4 hours after the battery charger indicates that charging is complete.
- If you use your scooter once a week or less, charge its batteries at least once a week for at least 24 hours.

***NOTE: Keep your batteries fully charged and avoid deeply discharging your batteries. Refer to the manual supplied with the battery charger for charging instructions. We recommend charging your batteries for at least 48 continuous hours once per month to improve battery performance and battery life.***

## How can I get maximum range or distance per charge?

Rarely will you have ideal driving conditions—smooth, flat, hard driving surfaces with no wind or curves. Often, you will face hills, pavement cracks, uneven and loosely packed surfaces, curves and wind, all of which affect the distance or running time per battery charge. Below are a few suggestions for obtaining the maximum range per battery charge.

- Always fully charge your scooter's batteries prior to daily use.
- Maintain but do not exceed the psi/bar/kPa air pressure rating indicated on each tire.
- Plan your route ahead to avoid as many hills, cracked, broken or soft surfaces as possible.
- Limit your baggage weight to essential items.
- Try to maintain an even speed while your scooter is in motion.
- Avoid stop-and-go driving.
- We recommend charging your batteries for at least 48 continuous hours once per month to improve battery performance and battery life.
- Make sure all harness connections are secured properly.

## How can I ensure maximum battery life?

Fully charged deep-cycle batteries provide reliable performance and extended battery life. Keep your scooter's batteries fully charged whenever possible. Protect your scooter and batteries from extreme heat or cold. Batteries that are regularly and deeply discharged, infrequently charged, stored in extreme temperatures or stored without a full charge may be permanently damaged, causing unreliable performance and limited service life.

# III. BATTERIES AND CHARGING

*NOTE: To extend battery life, always turn off scooter and remove the key when not in use.*

## What type and size of battery should I use?

We recommend deep-cycle batteries that are sealed and maintenance free. Both AGM and Gel-Cell are deep-cycle batteries that are similar in performance. Do not use wet-cell batteries, which have removable caps. Refer to the specifications table for size as batteries differ depending on manufacturer.



**WARNING! Corrosive chemicals are contained in batteries. Use only AGM or Gel-Cell batteries to reduce the risk of leakage or explosive conditions.**

*NOTE: Sealed batteries are not serviceable. Do not remove the caps.*

## Why do my new batteries seem weak?

Deep-cycle batteries employ a different chemical technology than that used in car batteries, nickel-cadmium batteries (nicads) and other common battery types. Deep-cycle batteries are specifically designed to provide power, drain down their charge and then accept a relatively quick recharge.

We work closely with our battery manufacturer to provide batteries that best suit your scooter's specific electrical demands. Fresh batteries are shipped fully charged to our customers. During shipping, the batteries may encounter temperature extremes that can influence their initial performance. Heat diminishes the charge on the battery; cold slows the available power and extends the time needed to recharge the battery.

It may take a few days for the temperature of your scooter's batteries to stabilize and adjust to their new room or ambient temperature. More importantly, it takes a few charging cycles (partial draining followed by full recharging) to establish the critical chemical balance that is essential to a deep-cycle battery's peak performance and long life.

## Follow these steps to properly break in your scooter's new batteries for maximum efficiency and service life:

1. Fully recharge any new battery prior to its initial use. This charging cycle brings the battery up to about 88% of its peak performance level.
2. Operate your new scooter in familiar and safe areas. Drive slowly at first and do not travel too far from your home or familiar surroundings until you have become accustomed to your scooter's controls and have properly broken in your scooter's batteries.
3. Fully recharge the batteries. They should be at over 90% of their peak performance level.
4. Operate your scooter again, and fully recharge the batteries again.
5. After four or five charging cycles, the batteries are able to receive a charge of 100% of their peak performance level and are able to last for an extended period of time.

## What about public transportation?

AGM and Gel-Cell batteries are designed for application in scooters and other mobility vehicles. These batteries are Federal Aviation Administration (FAA) approved (United States only), allowing safe transportation on aircraft, buses, and trains, as there is no danger of spillage or leakage. We suggest you contact the carrier's ticket counter in advance to determine that carrier's specific requirements.

## How do I change a battery in my scooter?



**MANDATORY! Battery posts, terminals and related accessories contain lead and lead compounds. Wear goggles and gloves when handling batteries and wash hands after handling.**



**PROHIBITED! Always use two batteries of the exact same type, chemistry and amp-hour (Ah) capacity. Refer to the specifications table with this manual and in the manual supplied with the battery charger for recommended type and capacities.**

# III. BATTERIES AND CHARGING

**WARNING! Do not mix old and new batteries. Always replace both batteries at the same time.**



**WARNING! Contact your authorized Provider if you have any questions regarding the batteries in your scooter.**

**WARNING! Do not replace the batteries while the scooter is occupied.**

**WARNING! The batteries on your scooter should only be serviced or replaced by an authorized Provider or a qualified technician.**



**PROHIBITED! Keep tools and other metal objects away from battery terminals. Contact with tools can cause electrical shock.**

You may need the following to change your batteries:

- Metric/standard socket set and ratchet
- Adjustable wrench
- Screwdriver



**WARNING! Do not lift beyond your physical capability. Ask for assistance when necessary while disassembling or assembling your scooter.**

**WARNING! Do not pull on electrical harness wires directly to detach them from the scooter. Always grasp the connector itself when disconnecting the harness to prevent wire damage.**

To change batteries in your scooter:

1. Remove the seat and battery shroud. See figure 13.
2. Disconnect the battery tie-down strap. See figure 14.
3. Disconnect the battery harnesses by depressing the tabs on the battery harness connectors and pulling them straight up. See figure 14.
4. Disconnect the battery cables from the battery terminals by sliding back the terminal boots and unscrewing the nut from the bolt. See figures 15 and 16.
5. Remove the old batteries from the battery wells.
6. Place a new battery in each battery well. For 710LX and 710LXW models, face the battery terminals of each battery rearward. For all other models, face the battery terminals of each battery opposite each other and toward the outer sides of the scooter. See figure 14.
7. Connect the red battery cable to the positive (+) battery terminal on each battery.
8. Connect the black battery cable to the negative (-) battery terminal on each battery.
9. Reposition the terminal boots over the battery terminals.
10. Reconnect the battery harnesses.
11. Reconnect the battery tie-down strap.
12. Reinstall the battery shroud and seat.

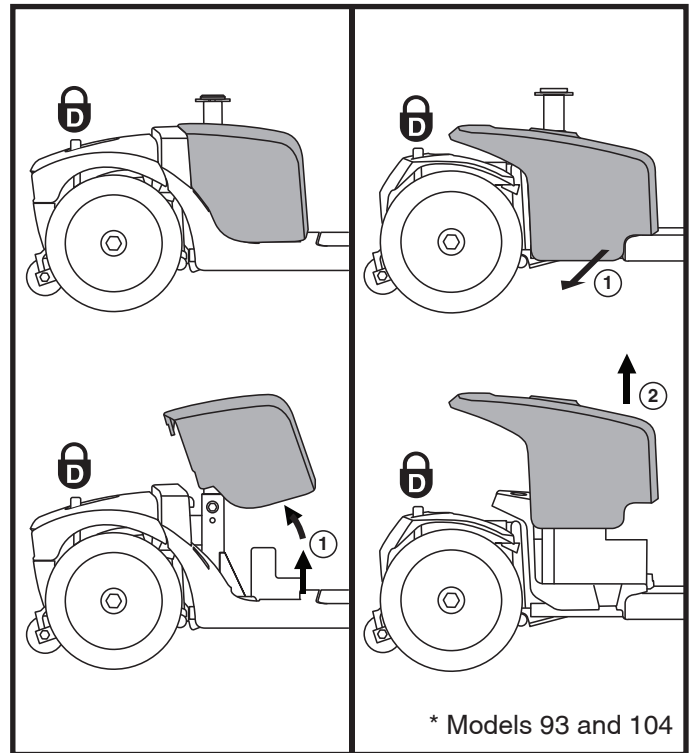


Figure 13. Battery Shroud Removal/Installation

**NOTE: If you encounter a damaged or cracked battery, immediately enclose it in a plastic bag. Contact your local waste disposal agency or your authorized Provider for instructions on disposal and battery recycling, which is our recommended course of action.**

# III. BATTERIES AND CHARGING

## IDENTIFICATION KEY

1. MAIN CIRCUIT BREAKER
2. BATTERY TERMINALS UNDER BOOTS
3. BATTERY TIE-DOWN STRAP
4. BATTERY HARNESS CONNECTORS
5. FRONT-TO-REAR HARNESS CONNECTOR

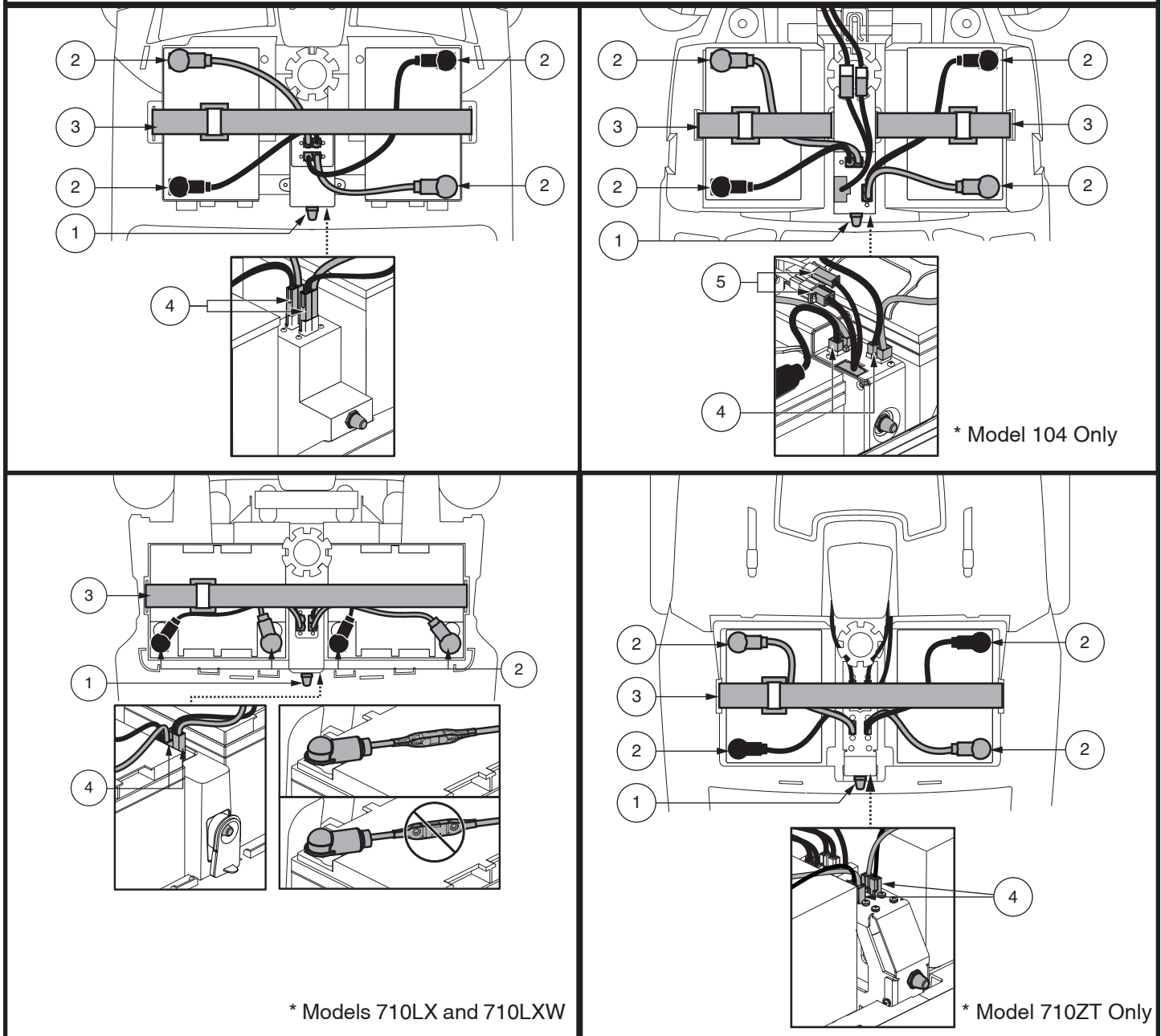


Figure 14. Battery Removal/Installation Terminals and Connections

# III. BATTERIES AND CHARGING

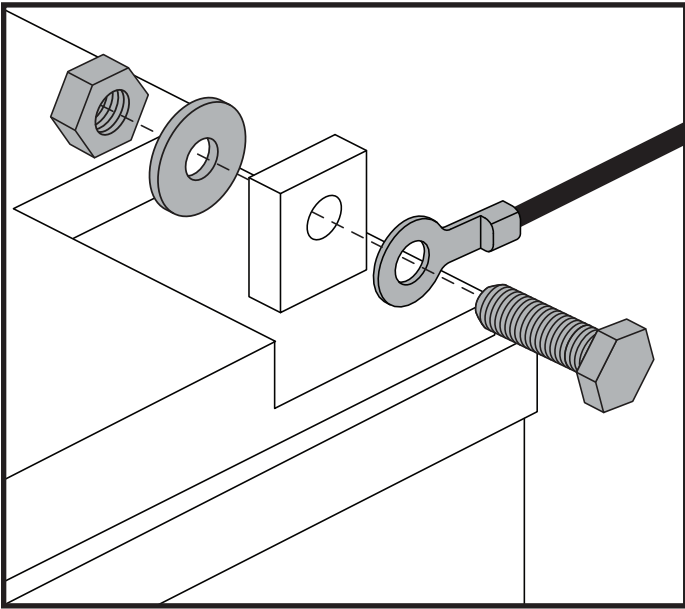


Figure 15. Battery Terminal Hardware - Configuration 1

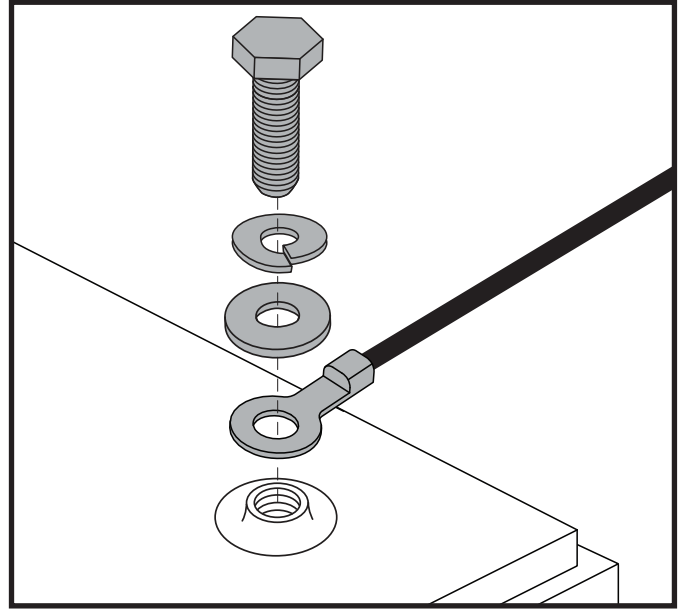


Figure 16. Battery Terminal Hardware - Configuration 2

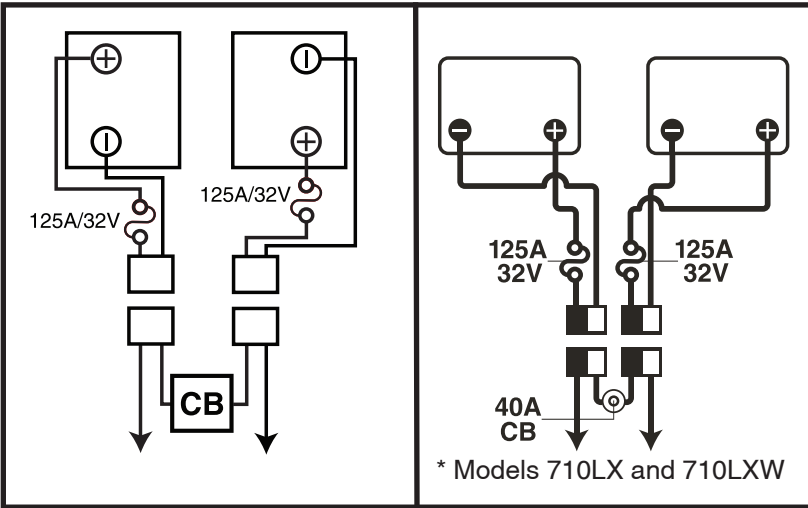


Figure 17. Battery Wiring Diagram

# IV. OPERATION

## BEFORE GETTING ONTO YOUR SCOOTER

- Have you fully charged the batteries? See III. “Batteries and Charging.”
- Is the manual freewheel lever in drive mode? Never leave your scooter in manual freewheel mode unless you are manually pushing your scooter.
- Ensure the air temperature is between -13°F/-25°C to 122°F/50°C.

## GETTING ONTO YOUR SCOOTER

1. Make certain that the key is removed from the key switch.



**WARNING! Never attempt to get onto or off of your scooter without first removing the key from the key switch. This will prevent the scooter from moving if accidental throttle control lever contact is made.**

2. Stand at the side of your scooter.
3. Disengage the seat rotation lever and rotate the seat until it is facing you.
4. Make certain that the seat is secured into position.
5. Position yourself comfortably and securely in the seat.
6. Disengage the seat rotation lever and rotate the seat until you are facing forward.
7. Make certain that the seat is fixed securely in position.
8. Make certain that your feet are safely on the floorboard.

## PRE-RIDE ADJUSTMENTS AND CHECKS

- Is the seat at the proper height? See V. “Comfort Adjustments.”
- Is the seat secured into place?
- Is the tiller at a comfortable setting and secured into place? See V. “Comfort Adjustments.”
- Is the key fully inserted into the key switch and turned clockwise to the “on” position?
- Does the horn work properly?
- Is your proposed path clear of people, pets, and obstacles?
- Have you planned your route to avoid adverse terrain and as many inclines as possible?

## OPERATING YOUR SCOOTER



**WARNING! The following can adversely affect steering and stability while operating your scooter, resulting in loss of control, tipping, and/or personal injury:**

- **Holding onto or attaching a leash to walk your pet.**
- **Carrying passengers (including pets).**
- **Hanging any article from the tiller.**
- **Towing or being pushed by another motorized vehicle.**

**WARNING! Keep both hands on the tiller and your feet on the floorboard at all times while operating your scooter. This driving position gives you the most control over your vehicle.**

- Set the speed adjustment dial to your desired speed.
- Press your thumb against the appropriate side of the throttle control lever.
- The electromechanical disc park brake automatically disengages and the scooter accelerates smoothly to the speed you preselected with the speed adjustment dial.
- Pull on the left handgrip to steer your scooter to the left.
- Pull on the right handgrip to steer your scooter to the right.
- Move the tiller to the center position to drive straight ahead.
- To stop, slowly release the throttle control lever. The electronic brakes will automatically engage, bringing your scooter to a stop.



## IV. OPERATION

**NOTE:** *If equipped with iTurn Technology™, rapidly turning the tiller fully to one side and then the other side may cause the scooter to not operate as expected and/or cause a controller fault. To reset the controller, turn the tiller to the center position, then turn the key to the off position, wait 5 seconds and then turn the key to the on position.*

**NOTE:** *Your scooter's reverse speed is slower than that of the forward speed you preset with the speed adjustment dial.*

### GETTING OFF OF YOUR SCOOTER

1. Bring your scooter to a complete stop.
2. Remove the key from the key switch.



**WARNING!** Never attempt to get onto or off of your scooter without first removing the key from the key switch. This will prevent the scooter from moving if accidental throttle control lever contact is made.

3. Disengage the seat rotation lever and rotate the seat until you are facing toward the side of your scooter.
4. Make certain that the seat is fixed securely in position.
5. Carefully and safely get out of the seat and stand to the side of your scooter.
6. You can leave the seat facing to the side to facilitate boarding your scooter next time.

### POWER DOWN TIMER FEATURE

Your scooter is equipped with an automatic power down timer feature designed to prevent your scooter from moving if left unattended. If you mistakenly leave the key in the “on” position but do not use your scooter for approximately 20 minutes, the scooter's controller shuts down automatically. Although the controller is shut down, power will still be supplied to the scooter's electrical system.

**If the power down timer feature takes effect, perform the following steps to resume normal operation:**

1. Remove the key from the key switch.
2. Reinsert the key and power up your scooter.

# V. COMFORT ADJUSTMENTS

## TILLER ANGLE ADJUSTMENT (see figure 18)

**WARNING!** Remove the key from the key switch before adjusting the tiller or the seat. Never attempt to adjust the tiller or the seat while the scooter is in motion.



**WARNING!** Prior to operating the scooter, push and pull on the tiller to ensure that the angle adjustment mechanism is secure. Inspect the tiller adjustment knob and the angle adjustment mechanism to ensure that they are fully engaged. If there is movement in the tiller, check to make sure that the tiller adjustment knob is fully tightened.

*NOTE: In order to fully lower the tiller for purposes of disassembly or transport, you must first completely remove the seat. See VI. "Disassembly and Assembly."*

## MIRROR POSITION

To install the mirror (see figure 1, 2, 3 or 4):

1. Determine on which side to install the mirror and remove the rubber plug from the top of the tiller handle.
2. Insert the threaded end of the mirror holder into the opening and rotate it clockwise until snug.
3. If necessary, rotate the nut clockwise to secure the mirror in place.

To adjust the mirror:

1. Position yourself in a seated driving position facing forward.
2. Adjust the mirror left, right, up or down until you have a good line of sight behind you.

## SEAT ADJUSTMENTS

*NOTE: The seating adjustments explained in this section depend on the type of seat on your scooter. Please refer to the Scooter Features Table to determine which options apply to your specific seat type.*

### Armrest Width Adjustment

Your seat type may be equipped with an armrest width adjustment feature. The seat arms can be adjusted inward or outward.

1. Loosen the armrest adjustment knobs. See figure 19.
2. Use the attached ring to pull and remove the detent pins.
3. Slide the armrests in or out to the desired width.
4. Align the adjustment holes on the seat frame and armrest, then reinsert the detent pin.
5. Tighten the armrest adjustment knobs.

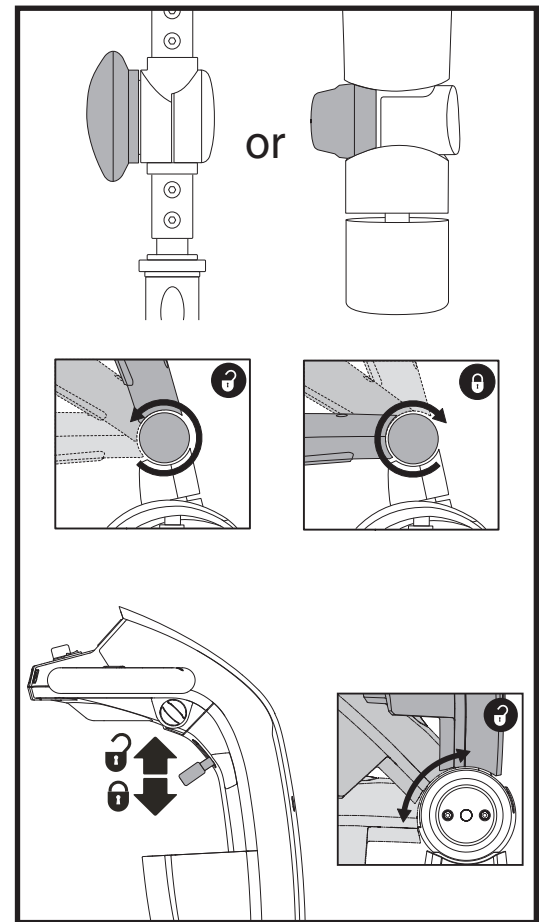


Figure 18. Tiller Adjustment Knob

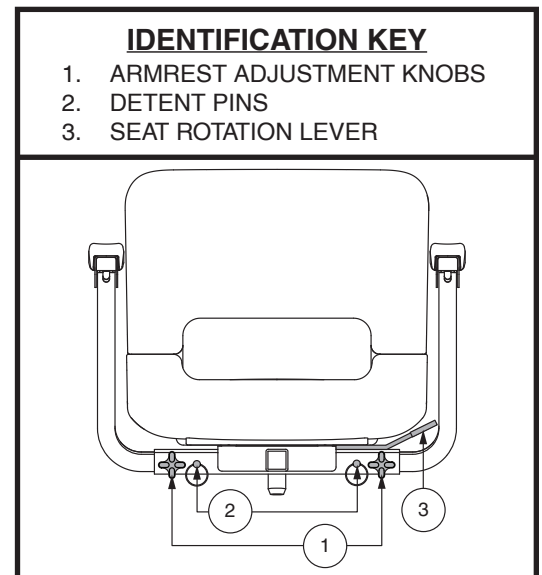


Figure 19. Seat Adjustments – Style A

# V. COMFORT ADJUSTMENTS

**NOTE:** Pivot the armrests upward to aid in getting onto and off of your scooter.

## Seat Rotation Adjustment

The seat rotation lever will secure the seat into several positions.

1. Depending on your seat type, either pull upward or push forward on the seat rotation lever to disengage the seat. See **figure 19 or 20**.
2. Rotate the seat to the desired position.
3. Release the lever to secure the seat into place.

## Seatback Adjustment



**WARNING!** Do not operate your scooter with the seatback in a reclined position.

**WARNING!** Always keep your back pressed firmly against the seatback while adjusting the angle.

If your scooter is equipped with a reclining seatback, you can adjust the seatback angle with the seatback adjustment lever. See **figure 20**.

1. With your back pressed up against the seatback, lift up on the seatback adjustment lever and lean forward or rearward to adjust the seatback angle.
2. Release the seatback adjustment lever once the seat is in a comfortable riding position.

## Front-to-back Seat Adjustment

If your scooter is equipped with an adjustable seat, you can reposition the seat forward or rearward to adjust the distance between the seat and the tiller.

1. Move the seat sliding lever (located at the lower left side of the seat) outward. See **figure 20**.
2. While holding the lever out, slide the seat forward or rearward.
3. Release the seat sliding lever once the seat is in the desired position.

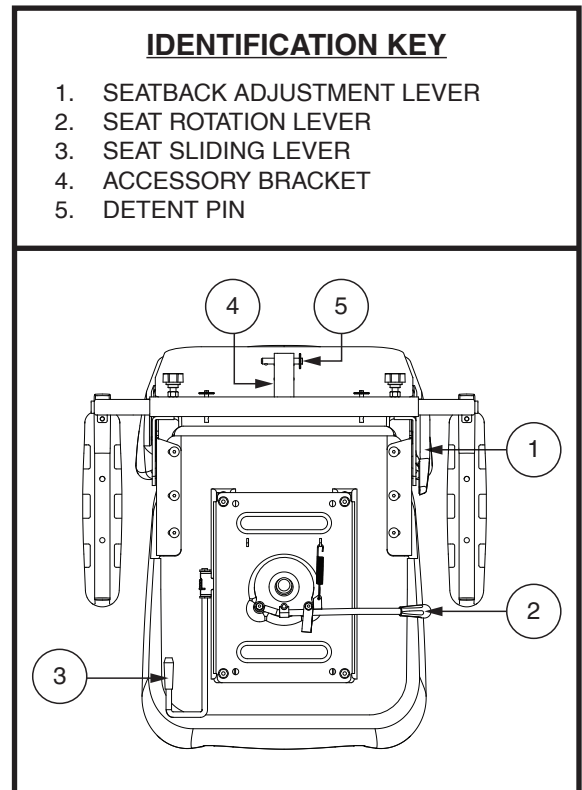
## Armrest Angle Adjustment

Armrest angle of your scooter can be adjusted upwards or downwards by turning the adjustment. See **figure 20**.

**NOTE:** The armrests also pivot upward to make getting on and off of your scooter easier.

## Accessory Bracket

The rear-mounted accessory bracket allows you to attach a personal accessory such as a basket, walker holder, or oxygen tank to the back of your scooter. Utilize the detent pin to securely mount your item to the accessory bracket. See **figure 20**. See your authorized Provider for details.



**Figure 20. Seat Adjustments – Style B**

# V. COMFORT ADJUSTMENTS

## Seat Height Adjustment

The seat can be repositioned to several different heights. See figure 21.

1. Remove the seat and/or shroud from your scooter. See VI. "Disassembly and Assembly."
2. Remove the seat height adjustment bolt.
3. Raise or lower the upper seat post to the desired seat height.
4. While holding the upper seat post at that height, align the adjustment holes of the upper and lower seat posts.
5. Insert the seat height adjustment bolt through the locating holes of both the upper and lower seat posts.
6. Reinstall the nut onto the seat height adjustment bolt and tighten.
7. Reinstall the shroud and the seat.

## Seat Height Adjustment—Comfort Seat Post (if available)

To reposition the seat to one of two different heights:

1. Remove the seat from your scooter. Push forward or pull upward and hold the seat rotation lever to disengage the seat, then rotate the seat and lift it off of the scooter.
2. Remove the rear shroud.
3. Push up the seat post boot to uncover the hardware.
4. Push down on the seat post while loosening and removing the shoulder bolt, washer, and nut. See figure 22.
5. Remove the comfort spring.
6. To raise the seat to the top most mounting hole, insert the height adjustment spacer. To lower the seat to the lowest mounting hole, remove the height adjustment spacer.
7. Reinstall the comfort spring.
8. Hold the upper seat post at the desired height and match up the locating holes in the lower seat post. Utilize the top holes for the upper position or the bottom holes for the lower position.

**NOTE:** When the seat post is mounted in the upper position, you must utilize two spacers.

9. Press down on the seat post while reinstalling the hardware and tightening to 210 in • lb (24 N • m).
10. Replace the rear shroud and the seat.

### IDENTIFICATION KEY

1. UPPER SEAT POST
2. NUT
3. SEAT HEIGHT ADJUSTMENT BOLT
4. LOWER SEAT POST

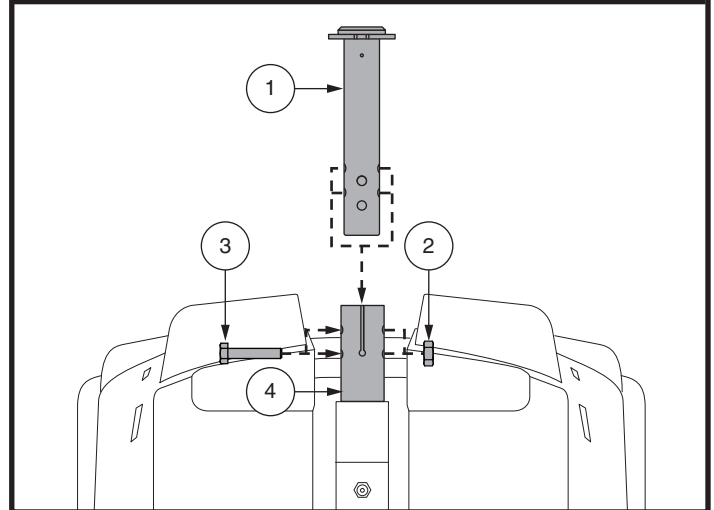


Figure 21. Seat Height Adjustment

### IDENTIFICATION KEY

1. BOOT
2. UPPER SEAT POST
3. COMFORT SPRING  
Weight Capacities: 0-220 lbs. (0-90.72 kg)  
220-400 lbs. (90.72-181.44 kg)
4. SPACER
5. SHOULDER BOLT (210 in • lb [24 N • m])
6. LOWER SEAT POST
7. WASHER
8. NUT

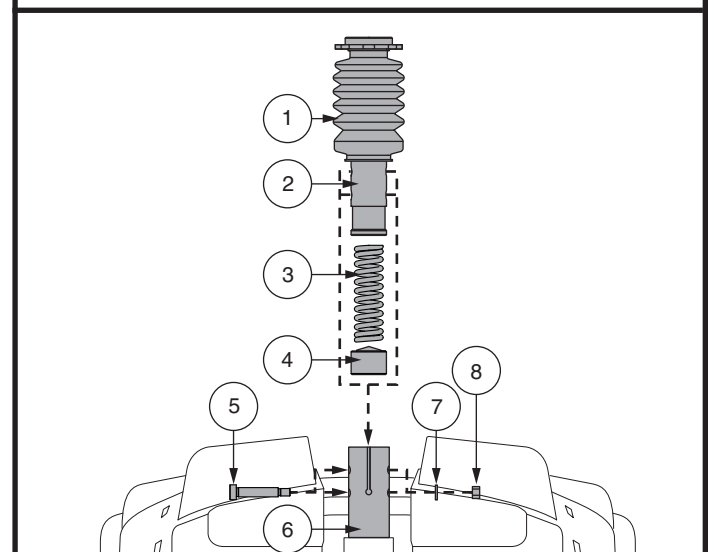


Figure 22. Seat Height Adjustment - Comfort Seat Post

# V. COMFORT ADJUSTMENTS

## Power Seat Adjustment (if available)

Your scooter may be equipped with a power seat. The power seat actuator is designed to raise or lower the seat with minimal effort on the part of the operator. The power seat switch is located on the tiller console.

**WARNING! The power seat is intended for operation only while your scooter is stationary and on a level surface. Its purpose is to aid you in reaching objects. Drive your scooter only with the power seat in the lowest position. Driving the scooter with the power seat elevated could cause instability in the scooter, resulting in a tip or a fall.**



**Strict adherence to the following safety rules is vital to your safety:**

- **Operate the power seat only while completely stationary on level ground.**
- **Do not press the throttle control lever and the power seat switch at the same time.**
- **Do not operate your scooter with the power seat elevated. Operate the scooter only with the power seat fully retracted (in the lowest position).**
- **Never place your scooter in freewheel mode with the power seat elevated.**
- **Use extreme caution when reaching for objects with your power seat elevated. Do not overextend or attempt to pick up objects that might affect your balance.**
- **Do not attempt to raise or lower the seat while in motion.**

Before operating the power seat, ensure your scooter is level and stationary and the speed adjustment dial is set to the slowest setting.

### To operate the power seat:

1. Press and hold the upper part of the power seat switch (**see figure 1**) to raise the seat. Release the switch when you have attained your desired height or upon reaching the highest position.
2. Press and hold the lower part of the power seat switch to lower the seat. Release the switch when you have attained your desired height or upon reaching the lowest position.

***NOTE: The scooter must be stopped in order for the power seat to be operated. If the power seat switch is pressed while the scooter is in motion, the scooter will slow and come to a stop. The scooter may also produce a fault code. If a fault code occurs, you will need to turn the scooter's power off, then back on again before proceeding.***

Instances may occur when the power seat is raised to reach something or get a better vantage point and not returned to its lowest position before operating the scooter again. Depending on how high the power seat is raised, your scooter's speed will be reduced when operating the scooter.

Elevating the power seat to approximately one-half of its maximum height limits your scooter's speed to half that set with the speed adjustment dial. If the power seat is elevated to approximately three-quarters of its maximum height, the scooter will not move if the throttle control lever is pressed. The power seat must be lowered to slightly under three-quarters of its maximum height in order to drive the scooter again. The scooter cannot be driven at full speed until the scooter's seat is lowered to approximately one-half of its maximum height.

It is strongly recommended that the scooter not be operated with the power seat elevated.

# V. COMFORT ADJUSTMENTS

## Seat Suspension Adjustment (if available)

You can loosen or stiffen the seat suspension based on which comfort spring you install.

### To adjust the seat suspension:

1. Remove the seat from your scooter. Push forward or pull upward and hold the seat rotation lever to disengage the seat, then rotate the seat and lift it off of the scooter.
2. Remove the rear shroud.
3. Push up the seat post boot to uncover the hardware.
4. Push down on the seat post while loosening and removing the hex head bolt and nut.
5. Remove the current spring.
6. Install the desired spring. **See figure 22.**
7. Press down on the seat post while reinstalling the hardware and tightening to 210 in • lb (24 N • m).
8. Replace the rear shroud and the seat.

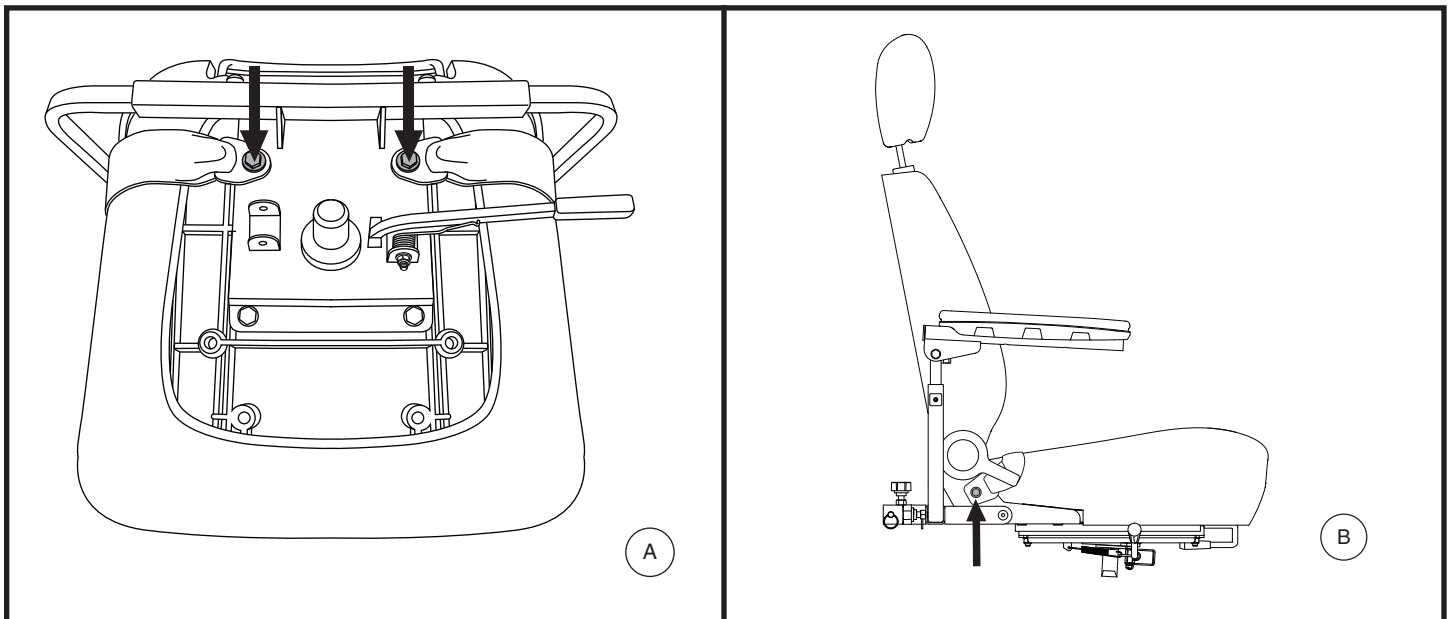


Figure 23. Positioning Belt Bolts

## POSITIONING BELT (OPTIONAL)

Your scooter seat may be equipped with a positioning belt that can be adjusted for operator comfort. **See figure 23.** The positioning belt is designed to help support the operator so that he or she does not slide down or forward in the seat. The positioning belt is not designed for use as a restraining device.



**WARNING! The positioning belt is not designed for use as a seat belt in a motor vehicle. Nor is your scooter suitable for use as a seat in any vehicle. Anyone traveling in a vehicle should be properly belted into seats approved by the vehicle manufacturer.**

**WARNING! The positioning belt should be secured at all times. Never allow the positioning belt to hang or drag on the floor as it may become entangled.**

# V. COMFORT ADJUSTMENTS

## To install the positioning belt (if required):

1. Remove the seat from your scooter.
2. Place the seat upside down so that you can see the bottom of the seat base. See figure 23.
3. Use a wrench to remove the two rear bolts that attach the seat frame to the seat base.
4. Insert the bolt through the appropriate ends of the positioning belt and then reinstall the bolts back into the seat frame.
5. Tighten the bolts.

## Metal tab style positioning belt

### To adjust the positioning belt for operator comfort:

1. Insert the metal tab on the right side of the belt into the plastic housing on the opposite strap until you hear a “click.” See figure 24.
2. Pull the strap on the right side of the belt until it is secure, but not so tight as to cause discomfort.

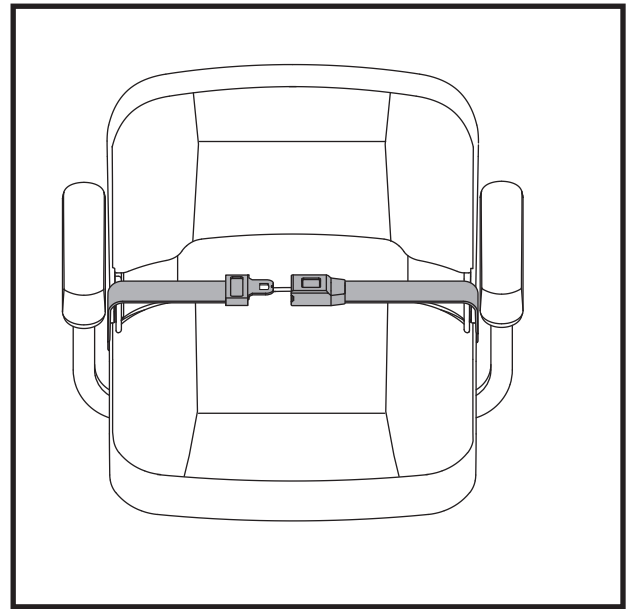


Figure 24. Positioning Belt - Metal Tab Style

### To release the positioning belt:

1. Press the push button mechanism on the plastic housing.



**MANDATORY! Make sure the positioning belt is properly secured to the scooter and is adjusted for operator comfort before each use.**

**MANDATORY! Inspect the positioning belt for loose parts or damage, including tears, worn spots, bent hardware, or damaged latch mechanisms, dirt or debris, before each use of the scooter. If you discover a problem, contact your authorized Provider for maintenance and repair.**

# VI. DISASSEMBLY AND ASSEMBLY

## DISASSEMBLY

You can disassemble the scooter into several pieces: the seat, the rear section, the front section, the basket, the batteries, and the battery shroud. See figure 25. No tools are required to disassemble or assemble your scooter, but keep in mind that the disassembled sections of the scooter take up more floor space than the assembled unit. Always disassemble or assemble your scooter on a level, dry surface with sufficient room for you to work and move around your scooter—about 5 feet (1.5 meters) in all directions. Remember that some scooter components are heavy and you may need assistance when lifting them.



**WARNING! Do not lift beyond your physical capability. Ask for assistance when necessary while disassembling or assembling your scooter.**

**WARNING! Do not pick up the seat frame or scooter by the armrests. They are free to pivot, and you may lose control of the seat if they do so.**

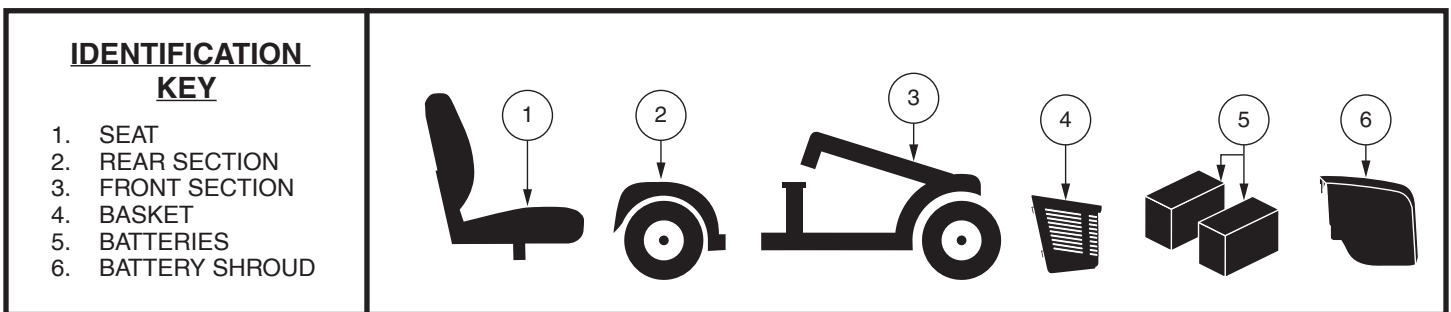


Figure 25. Disassembled Scooter

## DISASSEMBLY PROCEDURES

1. Remove the key from the key switch. For model 104, lock the tiller in the straight ahead position by pushing the tiller lock knob in and turning it clockwise 90°. See figure 26. The front wheel must face forward in order to lock the tiller.
2. Remove the seat by lifting it straight up and off of the scooter. If you encounter resistance when removing the seat, disengage the seat rotation lever and swivel the seat back and forth while lifting up on the seat.
3. Gently pull the battery shroud forward, then lift up and off of the scooter. See figure 13.
4. Disconnect the battery tie-down strap. See figure 14.
5. Unplug both battery harnesses by depressing the tabs and then pulling each harness straight up. See figure 14.
6. Remove the batteries from the battery wells.



**WARNING! Failure to unplug both battery harnesses prior to separating the front and rear sections could result in permanent damage to the scooter.**

7. For model 104 and 710ZT, you may also need to disconnect both motor/front-to-rear harnesses. See figure 14.



**WARNING! Failure to unplug both front-to-rear harnesses prior to separating the front and rear sections could result in permanent damage to the scooter.**

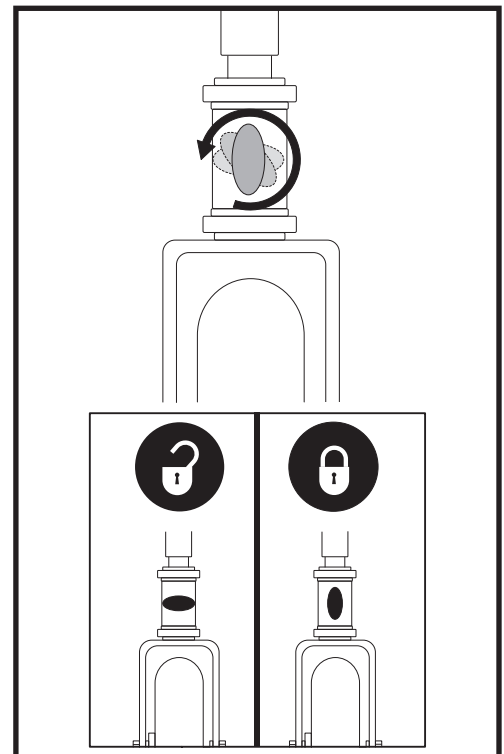


Figure 26. Tiller Lock Knob (Model 104 only)

**NOTE:** Please check the Scooter Features Table on the inside of the front cover to determine if your scooter has a frame release lever or a lockup pin before attempting to separate the frame.



# VI. DISASSEMBLY AND ASSEMBLY

## FRAME SEPARATION

1. Arrange the front wheel(s) in a straight forward-facing position.
2. With the seat and batteries removed (see Disassembly Procedures on previous page), lower the tiller and tighten the tiller adjustment knob. See **figure 18 or 26**.

**NOTE:** *The pivoting tiller is equipped with a mechanism that will lock the front wheels in place when the tiller is completely lowered and secured.*

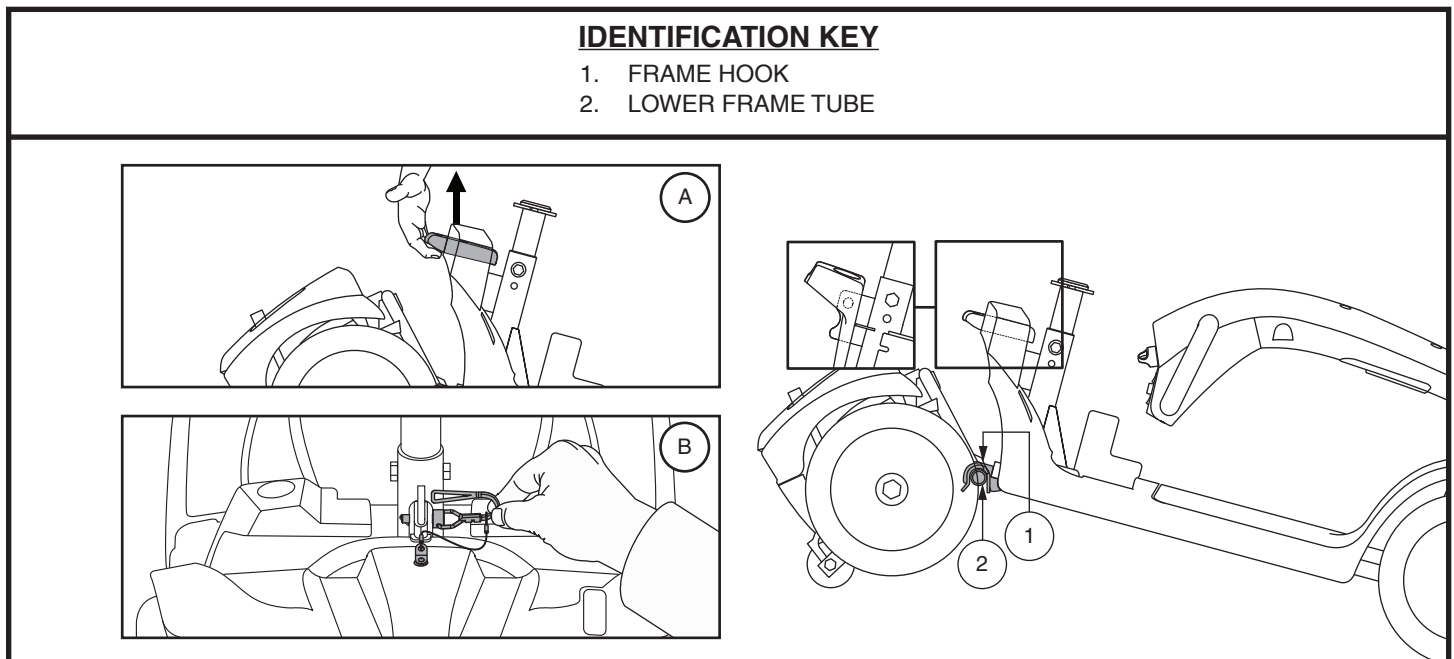
3. Remove the frame lockup pin (*Model 104 only*) See **figure 27**.
4. Lift up on the frame release lever, (**OR, lift the seat post for model 104**) and pivot the rear section backwards, until the frame hooks are no longer resting on the lower frame tube.
5. Slowly separate the two sections.

## ASSEMBLY

1. Position the front and rear sections of your scooter as shown in **figure 27**.
2. Use the frame release lever (or the seat post for model 104) to lift the front section as you align the frame hooks of the front section with the lower frame tube of the rear section. See **figure 27**.
3. Once the frame hooks are over the lower frame tube, lower the front section and pivot the rear section simultaneously. This will engage the frame lockup automatically for all models except 104. *For model 104*, you will also need to reinstall the frame lockup pin to complete the body assembly.
4. Raise the tiller and fully tighten the tiller adjustment knob.
5. Reinstall the batteries to the battery wells.
6. Properly connect all the battery harnesses. See **figure 14**.
7. Secure the battery tie-down strap. *For model 104 and 710ZT*, also reconnect both front-to-rear harnesses.
8. Reinstall the battery shroud.
9. Reinstall the seat and rotate it into place.



**WARNING!** After assembly, make absolutely certain the tiller lock knob is in the unlocked position before driving the scooter.



**Figure 27. Frame Release Lever (Style A) and Frame Release Lockup Pin (Style B)**

# VII. BASIC TROUBLESHOOTING

EN

Any electromechanical device occasionally requires some troubleshooting. However, most of the problems that may arise can usually be solved with a bit of thought and common sense. Many of these problems occur because the batteries are not fully charged or because the batteries are worn down and can no longer hold a charge.

## DIAGNOSTIC CODES

The diagnostic codes for your scooter are designed to help you perform basic troubleshooting quickly and easily. A diagnostic code will sound and/or flash in the event one of the conditions listed below develops. Depending on the model you own, your scooter will communicate by one of the coding methods as follows:

1. A diagnostic code will begin, depending on model, with a series of fast beeps and/or flashes directly followed by slower beeps and/or flashes which indicates the actual code. The code is only beeped and/or blinked once. To repeat the diagnostic code, remove the key, then reinsert it and turn it to the “on” position, **OR**
2. A diagnostic code will identify the condition, pause, then repeat the code. The diagnostic code will continue to alert you in this manner until the scooter is turned off.

**NOTE:** *Your scooter will not run unless the code condition is resolved and the scooter has been turned off, then turned back on.*

BEEP CODE	CONDITION	SOLUTION
■ (1)	Battery charge is too low to operate the scooter.	Charge batteries as soon as possible.
■ ■ (2)	Battery charge is too low.	Charge batteries.
■ ■ ■ (3)	The scooter’s battery voltage is too high to operate the scooter, or the charger is still connected to the off-board charger port.	Unplug charger and/or turn key off, then back on again.
■ ■ ■ ■ (4)	Current limit time out.	Turn the scooter off for a few minutes, then turn your scooter back on.
■ ■ ■ ■ ■ (5)	The manual freewheel lever is in the freewheel position.	Remove the key from the key switch, then push the manual freewheel lever to the drive position and restart your scooter.
■ ■ ■ ■ ■ ■ (6)	Throttle control lever not at center position at start up.	Verify that the batteries are fully charged. If the batteries are fully charged, then return the throttle control lever to center position, turn scooter off then back on.
■ ■ ■ ■ ■ ■ ■ (7)	Speed pot error.	Contact your authorized Provider for assistance.
■ ■ ■ ■ ■ ■ ■ ■ (8)	Motor volts error.	Contact your authorized Provider for assistance.
■ ■ ■ ■ ■ ■ ■ ■ ■ (9)	Other internal errors.	Contact your authorized Provider for assistance.

Figure 28. Models with Tiller Console

## VII. BASIC TROUBLESHOOTING

### **What if all the systems on my scooter seem to be dead?**

- Make certain that the key is in the “on” position.
- Check that the batteries are fully charged.
- Push in the main circuit breaker reset button. See II. “Your Scooter.”
- Make certain that the battery and front-to-rear harnesses are connected properly.
- Be sure the power down timer feature has not been activated. See IV. “Operation.”

### **What if my scooter does not move when I engage the throttle control lever?**

- When the manual freewheel lever is pushed forward, the brakes are disengaged and all power to the motor/transaxle assembly is cut.
- Push rearward on the manual freewheel lever, turn the scooter off, and then turn the scooter on to return to normal scooter operation.

### **What if the main circuit breaker repeatedly trips?**

- If the main circuit breaker trips repeatedly, see your authorized Provider for service.
- Charge the batteries more frequently. See III. “Batteries and Charging.”
- See III. “Batteries and Charging” or “Product Specifications” insert for information about your scooter’s battery type.

### **What if the battery condition meter dips way down and the motor surges or hesitates when I engage the throttle control lever?**

- Fully charge your scooter’s batteries. See III. “Batteries and Charging.”

If you experience any problems with your scooter that you are not able to solve, immediately contact your authorized Provider for information, maintenance and service.

## VIII. CARE AND MAINTENANCE

Your scooter requires a minimal amount of care and maintenance. If you do not feel confident in your ability to perform the maintenance listed below, you may schedule inspection and maintenance at your authorized Provider. The following areas require periodic inspection and/or care and maintenance.

### SOLID TIRE SAFETY CHECK

Regularly inspect your scooter's tires for signs of damage or wear.

### WHEEL REPLACEMENT – SOLID TIRES

If your scooter is equipped with solid tire inserts and you have a damaged or worn tire, the entire wheel must be replaced. Contact your authorized Provider for information regarding replacement wheels for your scooter.



**WARNING! Wheels on your scooter should only be serviced/replaced by a qualified technician.**

**WARNING! Be sure that the key is removed from the key switch and the scooter is not in freewheel mode before performing this procedure.**

Follow these easy steps for a quick and safe repair for solid tires:

1. Remove the key from the key switch.
2. Elevate the side of the scooter of which you are removing the tire. Place wooden blocks under the frame to elevate the scooter.
3. Remove the wheel cap, drive wheel nut and washer from the axle. See figure 29.
4. Pull the wheel off of the axle.
5. Slide the new wheel onto the axle. Make sure the the axle key is in the axle slot.



**WARNING! Ensure that the axle key is properly installed into the axle slot when mounting the wheel. If not installed securely, the braking system is disengaged which may cause personal injury and/or product damage may result.**

6. Reinstall the washer and drive wheel nut onto the axle and tighten.



**WARNING! Make sure that both the nut and washer are reinstalled and tightened properly.**

7. Reinstall the wheel cap.
8. Remove the blocks from beneath the scooter.

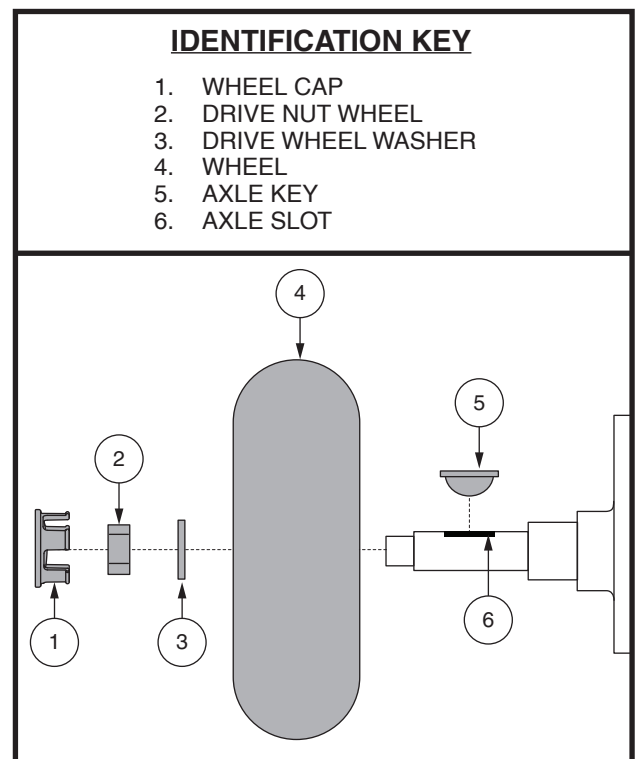


Figure 29. Wheel Removal

# VIII. CARE AND MAINTENANCE

## TIRE PRESSURE – PNEUMATIC TIRES

- If equipped with pneumatic tires, always maintain the psi/bar/kPa air pressure rating indicated on each tire.



**WARNING!** It is important that the psi/bar/kPa air pressure rating indicated on each tire be maintained in pneumatic tires at all times. Do not underinflate or overinflate your tires. Low pressure may result in loss of control and overinflated tires may burst. Failure to maintain the psi/bar/kPa air pressure rating indicated on the tires at all times may result in tire and/or wheel failure.

- Regularly inspect your scooter's tires for signs of damage or wear.

## WHEEL REPLACEMENT – PNEUMATIC TIRES

If your scooter is equipped with pneumatic tires and you have a flat tire, you can have the tube replaced. Contact your authorized Provider for information regarding replacement wheels for your scooter.

**WARNING!** Wheels on your scooter should only be serviced/replaced by a qualified technician.



**WARNING!** Be sure that the key is removed from the key switch and the scooter is not in freewheel mode before performing this procedure.

**WARNING!** When changing a pneumatic tire, remove only the drive wheel nut and washer, then remove the entire wheel assembly. If any further disassembly is required, deflate the tire completely or it may explode.

Follow these easy steps for a quick and safe repair for pneumatic tires:

1. Remove the key from the key switch and ensure your scooter is not in freewheel mode.
2. Elevate the side of the scooter of which you are removing the tire. Place wooden blocks under the frame to elevate the scooter.
3. If you are replacing the tube, deflate the tire completely before taking it off the axle.
4. Remove the drive wheel nut and washer from the axle. **See figure 29.**
5. Remove the drive wheel from the axle.
6. Remove the lug nuts and washers and separate the rim halves. **See figure 30.**
7. Remove the old tube from the pneumatic tire and replace it with a new tube. **See figure 30.**
8. Reassemble the rim halves and tire by reconnecting the lug nuts and washers.
9. Slide the wheel back onto the axle. Make sure that the axle key is in the axle slot. **See figure 30.**



**WARNING!** Ensure that the axle key is properly installed into the axle slot when mounting the wheel. If not installed securely, the braking system is disengaged which may cause personal injury and/or product damage may result.

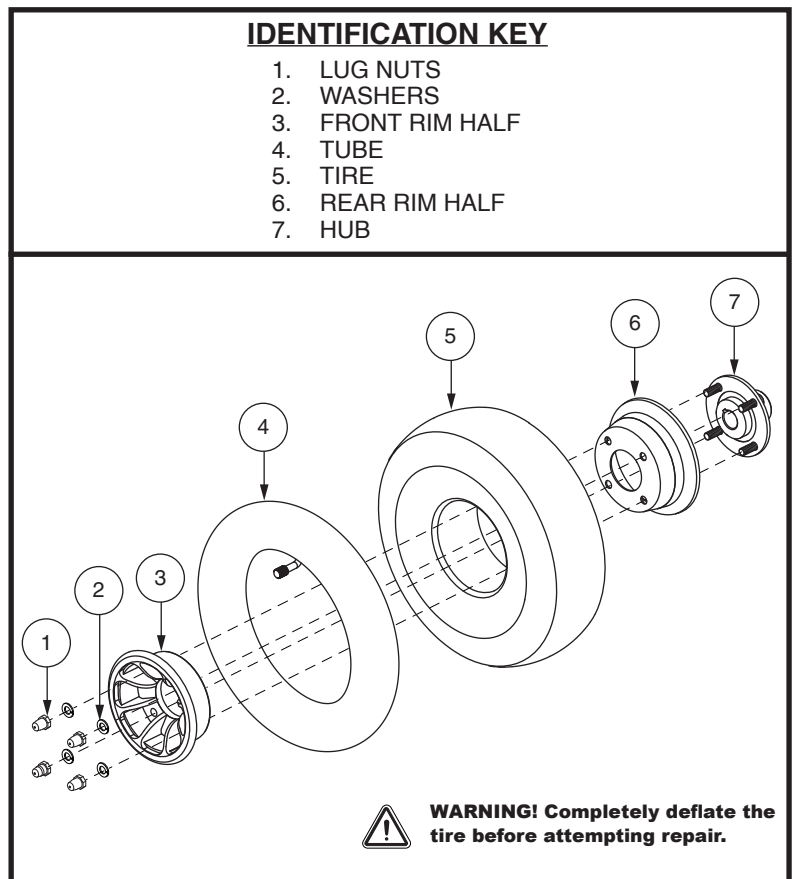


Figure 30. Pneumatic Drive Wheel Disassembly/Assembly

## VIII. CARE AND MAINTENANCE

10. Reassemble the rim halves and tire by reconnecting the lug nuts and washers.



**WARNING! Make sure that both the nuts and washers are reinstalled and tightened properly.**

11. Inflate tires to the pressure in psi/bar/kPa indicated in each tire.

12. Remove the blocks from beneath the scooter.

### EXTERIOR SURFACES

Bumpers, tires and trim can benefit from an occasional application of a rubber or vinyl conditioner.



**WARNING! Do not use a rubber or vinyl conditioner on the scooter's vinyl seat or tire tread, as this may cause them to become dangerously slippery.**

### CLEANING AND DISINFECTION

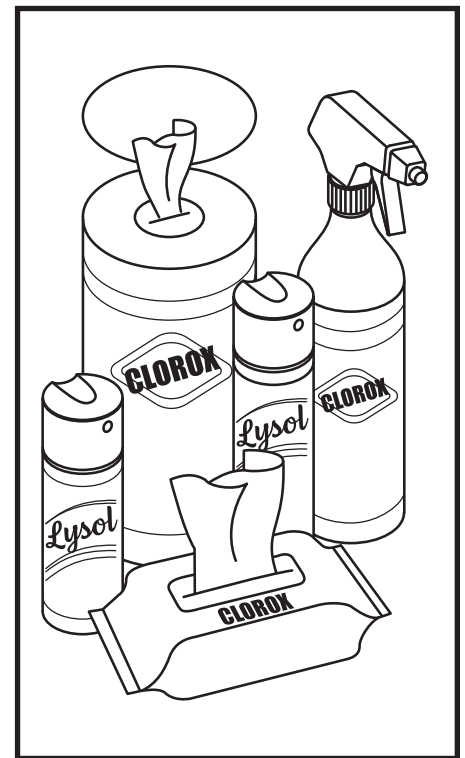
Precautions must be taken when cleaning equipment/devices to lower the risk of spreading infection. This is to limit the spread of illness and other potentially infection material (OPIM) (blood components).

- Use a damp cloth and mild, non-abrasive cleanser to clean the plastic and metal parts of your scooter. Avoid using products that may scratch the surface of your scooter.
- If necessary, clean your product with an approved disinfectant. Make sure the disinfectant is safe for use on your product before application.

### HOW TO CLEAN/DISINFECT EQUIPMENT:

**HARD/SOFT SURFACES** (Plastic shrouds, metal framing, seat fabric, tires, armrests and footplate mats, as applicable)

- For hard/soft surfaces, remove visible contamination if present.
  - For plastic and metal use Lysol®/Clorox® disinfecting spray/wipes and other qualified SARS-CoV-2 disinfecting products.
  - For other vinyl surfaces, clean with vinyl safe disinfecting wipes or solutions.
    - Suggested Disinfectants
      - Birex® SE Disinfectant, Bleach-Rite® Disinfecting Spray, Citrace® Germicide
      - Dispatch® Spray Hospital Cleaner Disinfectant with Bleach
      - Diluted Bleach Solution (10% dilution or less); Note: Bleach with pH factor between 7 and 9 is suitable; a product with a pH of 10.5 or higher may damage the vinyl surface integrity over an extended period of time.
    - Disinfecting Wipes
      - Clorox, Green Works, PDI Sani-Cloth HB Wipes, Lysol, Oxivir, Virox, and CaviWipes.
  - For Tire cleaning, clean with off the shelf tire/wheel cleaners



## VIII. CARE AND MAINTENANCE

**ELECTRONICS** (Joystick controller, enhanced displays, touch screens, remote controls, keyboards, cell phones and tablets, as applicable)

- For electronics, remove visible contamination if present.
  - Turn off device and disconnect batteries.
  - Never spray any liquids directly into the product(s).
  - Moisten a microfiber cloth with a mixture of 70% isopropyl alcohol/30% water solution. The cloth should be damp, but not dripping or excessively wet. Dry surfaces thoroughly to avoid pooling of liquids and prior to boxing.

**WARNING! Follow all safety instructions for the proper use of the disinfectant and/or cleaning agent before applying it to your product. Failure to comply may result in skin irritation or premature deterioration of upholstery and/or power chair finishes.**



**WARNING! Never use any cleaning or disinfecting agent, solvent, lubricant, or any other product on the brake pads, brake discs, transaxle, motor/gearbox of your mobility product. Doing so may damage the components and/or cause them not to function properly. Property injury and/or personal injury may result.**

**WARNING! Never hose off your power chair or place it in direct contact with water. Your power chair has a painted, ABS plastic body shroud that allows it to be easily wiped clean with a damp cloth.**

**WARNING! Never use any chemicals to clean a vinyl seat, as they may cause the seat to become slippery or dry out and crack. Use soapy water and dry the seat thoroughly.**

### BATTERY TERMINAL CONNECTIONS

- Make certain that the terminal connections remain tight and uncorroded.
- The batteries must sit flat in the battery wells.
- The battery terminals should face in the proper direction, according to the battery wiring diagram.

### WIRING HARNESSES

- Regularly check all wiring connections.
- Regularly check all wiring insulation, including the charger power cord, for wear or damage.
- Have your authorized Provider repair or replace any damaged connector, connection, or insulation that you find before using your scooter again.



**PROHIBITED! Even though the scooter has passed the necessary testing requirements for ingress of liquids, you should keep electrical connections away from sources of dampness, including direct exposure to water or bodily fluids and incontinence. Check electrical components frequently for signs of corrosion and replace as necessary.**



**WARNING! Do not pull on electrical harnesses directly to detach them from the scooter. Always grasp the connector itself when disconnecting the harness to prevent wire damage.**

### DAILY CHECKS

- With the power turned off, check the throttle. Make sure it is not bent or damaged and that it returns to the neutral position when you release it. Do not try to repair it. See your authorized Provider if there is a problem.
- Visually inspect the tiller cable. Make sure that it is not frayed, cut, or has any wires exposed. See your authorized Provider if there is a problem.
- Check for flat spots on solid tires. Flat spots could adversely affect stability.
- Inspect the armrests for loose hardware, stress points, or damage. See your authorized Provider if there is a problem.
- Check the brakes. This test should be carried out on a level surface with at least 3 feet (1 meter) of clearance around your scooter.

# VIII. CARE AND MAINTENANCE

## To check the brakes:

1. Turn on the power and turn down the speed level of your scooter.
2. After one second, check the battery condition meter. Make sure that it remains on.
3. Slowly pull the throttle forward until you hear the electric brakes click. Immediately release the throttle. You must be able to hear the electrical brake operating within a few seconds of throttle movement. Repeat this test by pulling the throttle in the opposite direction.

## WEEKLY CHECKS

- Inspect the controller and charger connectors for corrosion. Contact your authorized Provider if necessary.
- Check for proper tire inflation, if equipped with pneumatic tires. If a tire does not hold air, contact your authorized Provider for replacement of the tube.

## MONTHLY CHECKS

- Check that the anti-tip wheels do not rub the ground when you operate the scooter.
- Check for extreme wear on the anti-tip wheels. Replace them as necessary.
- Check for tire wear. See your authorized Provider for repair.
- Keep you scooter clean and free of foreign material, such as mud, dirt, hair, food, drink, etc.

## YEARLY CHECKS

Take your scooter to your authorized Provider for yearly maintenance, especially if you use your scooter on a daily basis. This helps ensure that your scooter is functioning properly and helps prevent future complications.

## ABS PLASTIC SHROUDS

If your scooter has a body shroud with a **glossy finish**, the body shroud has been sprayed with a clear sealant coating. You can apply a light coat of car wax to help it retain its high-gloss appearance. If your scooter has a body shroud with a **matte finish**, use **ONLY** products developed for matte-finish paint. Do not use wax, detail spray, ArmorAll®, or any product made for glossy paint.



**WARNING! Carefully choose the correct product to protect the finish of your scooter's shroud(s). ONLY products developed for matte-finish paint should be used on shrouds with a matte finish. Failure to follow this warning may result in damage to the shroud's matte paint finish.**

## AXLE BEARINGS AND THE MOTOR/TRANSAXLE ASSEMBLY

These items are all prelubricated, sealed, and require no subsequent lubrication.

## MOTOR BRUSHES

The motor brushes are housed inside of the motor transaxle/assembly. They should be inspected periodically for wear by your authorized Provider.

## CONSOLE, CHARGER AND REAR ELECTRONICS

- Keep these areas free of moisture.
- Allow these areas to dry thoroughly if they have been exposed to moisture before operating your scooter again.



# VIII. CARE AND MAINTENANCE

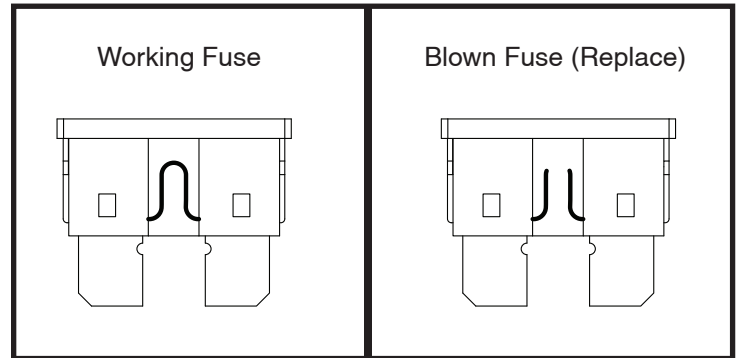
## FUSE REPLACEMENT

**In the event a fuse should cease to work:**

1. Remove the fuse by pulling it out of its slot.
2. Examine the fuse to be sure it is blown. See **figure 31**.
3. Insert a new fuse of the same rating.



**WARNING! The replacement fuse must exactly match the rating of the fuse being replaced. Failure to use properly rated fuses may cause damage to the electrical system.**



**Figure 31. Fuse Replacement**

## NYLON LOCK NUT REPLACEMENT

Any nylon insert lock nut removed during the periodic maintenance, assembly or disassembly of the scooter must be replaced with a new nut. Nylon insert lock nuts should not be reused as it may cause damage to the nylon insert, resulting in a less secure fit. Replacement nylon insert lock nuts are available at local hardware stores or through your authorized Provider.

## STORING YOUR SCOOTER

If you plan on not using your scooter for an extended period of time, it is best to:

- Fully charge its batteries prior to storage.
- Disconnect the batteries from the scooter.
- Store your scooter in a warm, dry environment.
- Avoid storing your scooter where it will be exposed to temperature extremes.
- Although your scooter can withstand short-term storage temperatures between -40°F (-40°C) to 149°F (65°C), it is recommended that long-term storage temperatures be between -13°F (-25°C) and 122°F (50°C). Ideal storage conditions are 68°F (20°C) to 70°F (21°C) wherever possible, but we realize that is not always feasible due to different climates and environments.



**WARNING! Always protect batteries from freezing temperatures and never charge a frozen battery. Charging a frozen battery can result in damage to the battery.**

Batteries that are regularly and deeply discharged, infrequently charged, stored in extreme temperatures or stored without a full charge may be permanently damaged, causing unreliable performance and limited service life. It is recommended that you charge the scooter batteries periodically throughout periods of prolonged storage to ensure proper performance.

You may wish to place several boards under the frame of your scooter to raise it off of the ground during periods of prolonged storage. This takes the weight off the tires and reduces the possibility of flat spots developing on the areas of the tires contacting the ground.

## DISPOSAL OF YOUR SCOOTER

Your scooter must be disposed of according to applicable local and national statutory regulations. Contact your local waste disposal agency or authorized Provider for information on proper disposal of packaging, metal frame components, plastic components, electronics, batteries, neoprene, silicone and polyurethane materials.



**WARNING! ! Plastic bags are a suffocation hazard. Dispose of plastic bags properly and do not allow children to play with them.**

# NOTES



MONTAGE



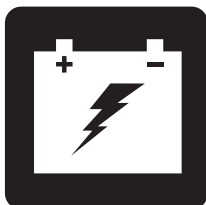
FONCTIONNEMENT



CONFORT



ENTRETIEN



RECHARGE DES BATTERIES



# SERIE DE SCOOTER DE TAILLE MOYENNE

## MANUEL DE L'UTILISATEUR

---

# TABLEAU DES CARACTERISTIQUES DU SCOOTER

Modèle	Style de console				Style de châssis verrouillé		Phares (Optional)			Options de style du siège		Les Options *		
	A	B	C	D	A (Lever de déverrouillage)	B (Goupille de verrouillage)	Phare à l'avant	Éclairage du sol	Système de lumières complets	A (Plastique moulé)	B (CRS Junior)	Mât suspension du siège	Commutateur Hi-Lo	Lever de frein à main
93		•				•	•			•				
104		•				•	•			•				
609	•				•		•		•	•	•			
6092	•				•		•	•	•	•	•			
709	•				•		•		•	•	•	•		
7092	•				•		•	•	•	•	•	•		
610	•				•		•		•	•	•			
6102	•				•		•	•	•	•	•			
710	•				•		•		•	•	•	•		
7102	•				•		•	•	•	•	•	•		
610DX	•				•		•		•	•	•			
710DX	•				•		•		•	•	•	•	•	
710DX2	•				•		•	•	•	•	•	•	•	
610DXW	•				•		•		•	•	•		•	
710DXW	•				•		•		•	•	•		•	•
710DXW	•				•		•	•	•	•	•		•	•
710LX			•		•		•	•	•	•	•		•	•
710LXW			•		•		•	•	•	•	•		•	
710ZT				•	•		•	•	•	•	•			
712	•				•		•		•	•	•	•		
712DX	•				•		•		•	•	•	•	•	

*\*NOTE: Les options du scooter varient par pays. Veuillez contacter votre fournisseur pour déterminer quelles options sont disponibles pour votre scooter.*

*NOTE: Veuillez-vous familiariser avec le numéro du modèle de votre scooter. Le numéro peut être trouvé sur la feuille de spécifications du produit dans le paquet du propriétaire. Tout au long de ce manuel, les attributs du scooter sont identifiés par le numéro du modèle (colonne à l'extrême gauche du tableau des caractéristiques du scooter). Sachant que le numéro du modèle de votre appareil vous aidera à déterminer les caractéristiques uniques de votre scooter.*

## UTILISATION PRÉVUE

L'usage prévu de ce dispositif médical Pride Mobility Products est de fournir une assistance de mobilité aux personnes à mobilité réduite qui ont la capacité de conduire un scooter de mobilité motorisé.

## CONCERNANT L'UTILISATION D'APPAREILS FOURNIS SUR ORDONNANCE

**Nos produits sont disponibles à la vente au détail (« en vente libre ») et sur ordonnance. Lorsque prescrit, l'énoncé suivant s'applique.**



**ATTENTION! En vertu de la loi fédérale cet appareil ne peut être vendu que par un médecin ou sur prescription médicale ou par d'autres personnes certifiées autorisées par la loi de l'État (États-Unis uniquement) ou de la région dans laquelle ces personnes sont spécialisées dans l'utilisation ou peuvent prescrire l'utilisation de cet appareil.**

*NOTE: Ce manuel a été préparé à partir des spécifications et informations disponibles au moment de sa publication. Nous réservons le droit d'apporter des changements lorsque il est nécessaire. Certains changements peuvent causer de légères variations entre les illustrations, les explications de ce manuel et l'appareil que vous avez acheté. La dernière version de ce manuel est sur notre site Internet.*

*NOTE: Ce produit répond aux exigences et respecte les directives des normes WEEE, RoHS et REACH.*

*NOTE: Ce produit conforme à la classification IPX4 (IEC 60529).*

*NOTE: Le Scooter et ses composants ne sont pas fabriqués avec du latex de caoutchouc naturel. Consultez le fabricant en ce qui concerne les accessoires après-vente.*



ACN 088 609 661



CH REP

# TABLE DES MATIERES

<b>CONSIGNES DE SECURITE</b> .....	<b>45</b>
<b>I. SECURITE</b> .....	<b>46</b>
<b>II. VOTRE SCOOTER</b> .....	<b>50</b>
<b>III. BATTERIES ET RECHARGE</b> .....	<b>59</b>
<b>IV. FONCTIONNEMENT</b> .....	<b>66</b>
<b>V. REGLAGES CONFORT</b> .....	<b>68</b>
<b>VI. DEMONTAGE ET MONTAGE</b> .....	<b>74</b>
<b>VII. PROBLEMES ET SOLUTIONS</b> .....	<b>76</b>
<b>VIII. SOINS ET ENTRETIEN</b> .....	<b>78</b>

## CONSIGNES DE SECURITE



**MISE EN GARDE!** Votre détaillant autorisé ou un technicien qualifié doit faire le montage initial de ce scooter et suivre toutes les procédures énumérées dans ce manuel.

Les symboles suivants sont utilisés tout au long de ce manuel pour identifier les mises en garde et moments d'attention particulière. Il est important de les comprendre et de les suivre à la lettre.



**MISE EN GARDE!** Indique une condition/situation potentiellement dangereuse. Vous devez respecter les consignes sous peine de vous blesser, de causer des dommages ou un mauvais fonctionnement. Ce pictogramme apposé sur le produit est de couleur noire sur un triangle jaune avec bordure noire.



**OBLIGATOIRE!** Ces actions doivent être exécutées selon les consignes sous peine de vous blesser, et/ou d'endommager l'appareil. Ce pictogramme apposé sur le produit est de couleur blanche avec un point bleu et bordure blanche.



**INTERDIT!** Ces actions sont interdites. Vous ne devez sous aucune considération, entreprendre ces actions. Ces actions peuvent entraîner des blessures et/ou dommages à votre équipement. Ce pictogramme apposé sur le produit est de couleur noire avec un rond rouge et barre rouge.

# I. SECURITE

## PICTOGRAMME DE SECURITE

Les pictogrammes ci-dessous sont utilisés sur le scooter pour indiquer les actions obligatoires, mises en garde et actions prohibées. Il est très important de les lire et de bien les comprendre.

**NOTE:** Vous trouverez davantage d'avertissements identifiés et expliqués dans le guide de la sécurité du consommateur inclus avec votre scooter. Veuillez-vous familiariser avec tous les avertissements et les consignes de sécurité contenus dans le guide de la sécurité du consommateur et référez-vous souvent à cette ressource.



Lisez et respectez les consignes et informations contenues dans ce manuel.



ou



Indique les points de fixation du scooter **INOCCUPÉ**.



Plaques des information



ou



Fabriqué en



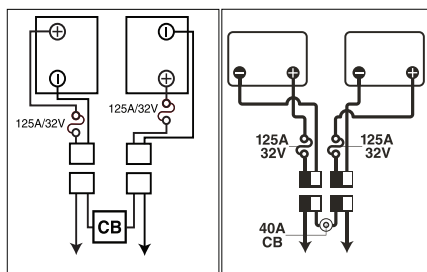
ou



ou



Ce scooter n'est pas conforme à la norme ISO 7176-19 pour être occupé (personne prenant place sur le siège du véhicule) pendant le transport dans un véhicule en marche. Ne vous asseyez pas dans votre scooter lorsque celui-ci est dans un véhicule en mouvement.



**Configuration des batteries:**

**+ = Borne positive (Rouge)**

**- = Borne négative (Noir)**

**Branchez le fil rouge à la borne positive (+).**

**Branchez le fil noir à la borne négative (-).**



**Rechargez les batteries complètement avant l'utilisation.**

**Retirez la clé de votre scooter lorsque celui-ci est laissésans surveillance.**

# I. SECURITE

## CONSIGNES DE SECURITE GENERALES



**OBLIGATOIRE! Ne prenez pas votre scooter pour la première fois sans avoir lu et compris les instructions et consignes de sécurité contenues dans ce manuel et le Guide de sécurité du consommateur.**

Votre scooter est un appareil dernier cri d'aide à la mobilité dans la vie quotidienne. Nous construis toute une collection de scooters afin de satisfaire les besoins de chacun. Prenez note que le choix final et la décision d'achat sont la responsabilité de l'utilisateur et du/des professionnels de la santé tels que le médecin, l'ergothérapeute etc.

Dans ce manuel, il est pris pour acquis que le scooter a été réglé par un expert en mobilité, que celui-ci a également conseillé le professionnel de la santé au sujet de l'utilisation de ce produit.

Dans certaines situations, (conditions médicales) l'utilisateur du scooter aura besoin d'aide pour acquérir l'habileté nécessaire à la conduite de son appareil. Le moniteur peut être un membre de la famille ou un professionnel de la santé qui aura reçu une formation sur l'utilisation d'un véhicule motorisé personnel comme aide à la vie quotidienne.

Lorsque vous commencerez à utiliser votre scooter, vous serez confronté à des situations qui demandent une certaine habileté. Prenez alors votre temps et procédez lentement, vous développerez de la facilité pour manoeuvrer dans les ascenseurs, ouvrir les portes, négocier les rampes d'accès et pour rouler sur des surfaces modérément difficiles.

Des informations générales complémentaires peuvent être trouvées sur les fiches et les livrets d'information supplémentaires incluses dans le paquet du propriétaire. Veuillez lire et revoir l'information entièrement, et gardez-la à portée de la main pour future référence.

Vous trouverez ci-dessous des conseils, consignes et mises en garde qui vous seront utiles afin de vous acclimater à la conduite sécuritaire du scooter.

# I. SECURITE

## INFORMATIONS SUR LE FREINAGE

Apprenez à connaître les capacités et limites de votre scooter. Faites les vérifications requises avant chaque sortie pour vous assurer d'un fonctionnement sans problème et sécuritaire.

### Inspectez les points suivants avant de prendre la route:

- Vérifiez la pression dans les pneus. Assurez-vous qu'ils sont correctement gonflés et non endommagés ou excessivement usés.
- Inspectez les connexions électriques. Vérifiez qu'il n'y a pas de rouille et qu'elles soient bien serrées.
- Vérifiez le câble et les fils. Assurez-vous qu'elles soient branchées de façon sécuritaire.
- Vérifiez les freins afin de s'assurer qu'ils fonctionnent correctement.
- Vérifiez le compteur d'état de la batterie pour s'assurer que les batteries sont complètement chargées.
- Assurez-vous que la manette de déblocage manuelle est en mode d'entraînement avant de s'asseoir sur le scooter.

Si vous découvrez un problème, contactez votre détaillant autorisé pour obtenir de l'aide. Référez-vous aux informations de contact qui sont incluses dans votre paquet du propriétaire.

## INFORMATIONS SUR LE FREINAGE

Votre scooter est équipé de puissants systèmes de freins:

- Régénératif: Utilise de l'électricité pour freiner le scooter rapidement lorsque vous relâchez l'accélérateur.
- Frein de stationnement à disque: S'active mécaniquement dès que le frein régénératif a ralenti le scooter et presque arrêté, ou lorsque le contact est coupé pour quelque motif que ce soit.
- (Optionnel) Frein manuel: Vous donne de la puissance de freinage supplémentaire lorsque vous le comprimez. Voir la section II. "Votre Scooter."

## LEVIER DE FREIN A MAIN (FACULTATIF)

Le levier de frein à main contient du liquide hydraulique. Lorsqu'une pression est appliquée sur le levier, le liquide est poussé dans la tubulure pour actionner les coussins de frein vers le disque. Le module de levier à frein est entièrement scellé et le liquide hydraulique ne devrait pas fuir. Cependant, vous devez respecter les consignes de sécurité suivantes si le module venait à se fendiller ou être endommagé.

- Ne touchez pas au liquide sans avoir d'abord mis des gants de protection et des lunettes de sécurité.
- Pour de petites fuites, recouvrez le liquide avec du sable, de la terre sèche ou tout autre matériel non combustible. Lorsque le liquide est absorbé, placez le matériel dans un sac de plastique et contactez votre organisme pour connaître les règlements par la mise au rebut. Ne jetez pas le matériel dans un cours d'eau ou dans les égouts.
- En cas de contact avec les yeux, retirez les lentilles cornéennes, rincez doucement à l'eau fraîche en soulevant occasionnellement les paupières. Si des larmoiements, des rougeurs ou de la douleur persistent, contactez un médecin.
- Si vous êtes éclaboussé, retirez tous les vêtements souillés. Asséchez la peau et lavez-la avec de l'eau et du savon. Voyez un médecin si la peau semble endommagée ou si une irritation devient persistante. Lavez à fond les vêtements souillés et mettez au rebut les vêtements en cuir souillé.
- En cas d'ingestion, ne tentez pas de provoquer un vomissement et ne buvez pas de liquide sauf sur avis d'un médecin. Ne tentez jamais de donner un élément par la bouche à une personne qui n'est pas entièrement consciente. Demandez de l'aide médicale immédiatement.



# I. SECURITE

- En cas d'exposition à la vapeur, déplacez la personne affectée vers un endroit où l'air est frais. Si la personne ne respire plus, donnez-lui immédiatement la respiration artificielle. Si la personne respire difficilement, celle-ci doit recevoir d'un technicien qualifié de l'oxygène à 100% humidifié. Demandez de l'aide médicale immédiatement et gardez la personne affectée au chaud et au repos.
- En cas d'incendie, utilisez un extincteur à la poudre sèche, à la mousse, au dioxyde de carbone ou de la brume d'eau pour l'éteindre.

**MISE EN GARDE! Ne modifiez pas et ne tentez pas de remplacer le liquide hydraulique. En cas de dommages, respectez les consignes de sécurité énoncées dans cette section et contactez votre détaillant autorisé pour faire remplacer le frein à main. Le module hydraulique de frein à main ne devrait être remplacé ou réparé que par votre détaillant autorisé.**



**MISE EN GARDE! Le module de frein à main contient du liquide hydraulique pouvant causer une légère irritation de la peau, du nez, des bronches et des yeux. Ne tentez pas de régler ou de réparer le module hydraulique sans avoir d'abord mis des gants et des lunettes de protection. Lavez vos mains après avoir manipulé le module.**

## II. VOTRE SCOOTER

### TABLEAU DE BORD

Le tableau de la console regroupe toutes les commandes servant au fonctionnement de votre scooter, incluant le bouton de réglage de vitesse, la clé de contact, la jauge à batteries, klaxon, bouton des clignotants, commutateurs des accessoires et le levier d'accélérateur. S.V.P. prenez note que certaines caractéristiques sont facultatives et peuvent ne pas se retrouver sur votre scooter. Veuillez-vous référer à la tableau des caractéristiques du scooter qui se trouve sur la page 44 afin de déterminer quelle type de tableau de bord choisir. Contactez votre détaillant autorisé pour les informations. **Voir la figure 1, 2, 3, ou 4.**



**INTERDIT! N'exposez pas le tableau de bord à l'humidité. Si le tableau venait à être mouillé, ne tentez pas d'utiliser votre scooter avant que le tableau ait été asséché à fond.**

### CLE D'IDENTIFICATION POUR FIGURES 1, 2, 3 ET 4

- |                                    |                                   |
|------------------------------------|-----------------------------------|
| 1. KLAXON                          | 9. JAUGE A BATTERIES              |
| 2. *CLIGNOTANT (GAUCHE)            | 10. CLE DE CONTACT                |
| 3. *BOUTON FEUX D'URGENCE          | 11. *MIROIR ET PRISES POUR MIROIR |
| 4. COMMUTATEUR DES FEUX ET PHARE   | 12. *FREIN MANUEL                 |
| 5. *CLIGNOTANT (DROIT)             | 13. *BOUTON D'ECLAIRAGE DU SOL    |
| 6. *COMMUTATEUR HI-LO              | 14. *BOUTON SIEGE ELECTRIQUE      |
| 7. LEVIER D'ACCELERATEUR           | 15. *ECLAIRAGE DU SOL             |
| 8. BOUTON DE REGLAGE DE LA VITESSE |                                   |

\*OPTIONS FACULTATIVES DISPONIBLE SUR CERTAIN MODELES

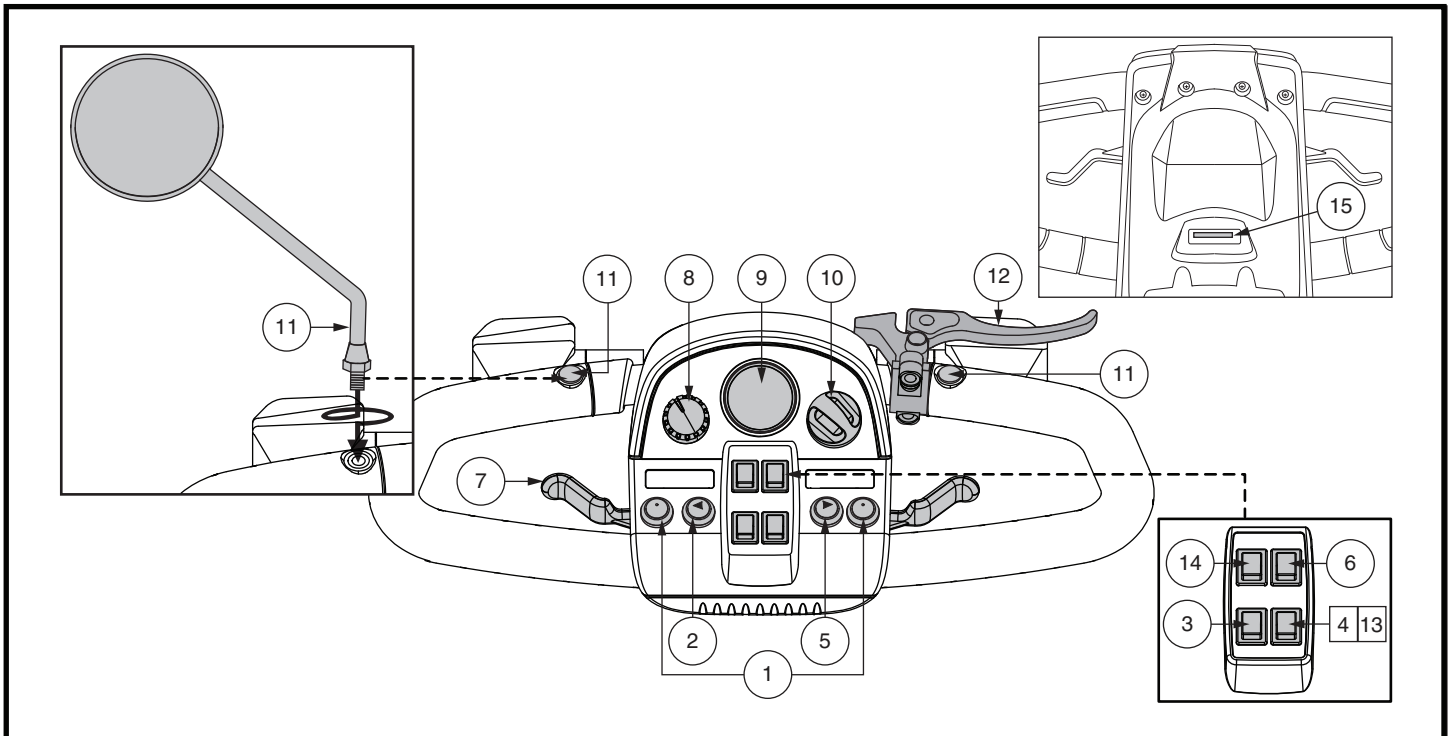


Figure 1. Tableau de bord A

## II. VOTRE SCOOTER

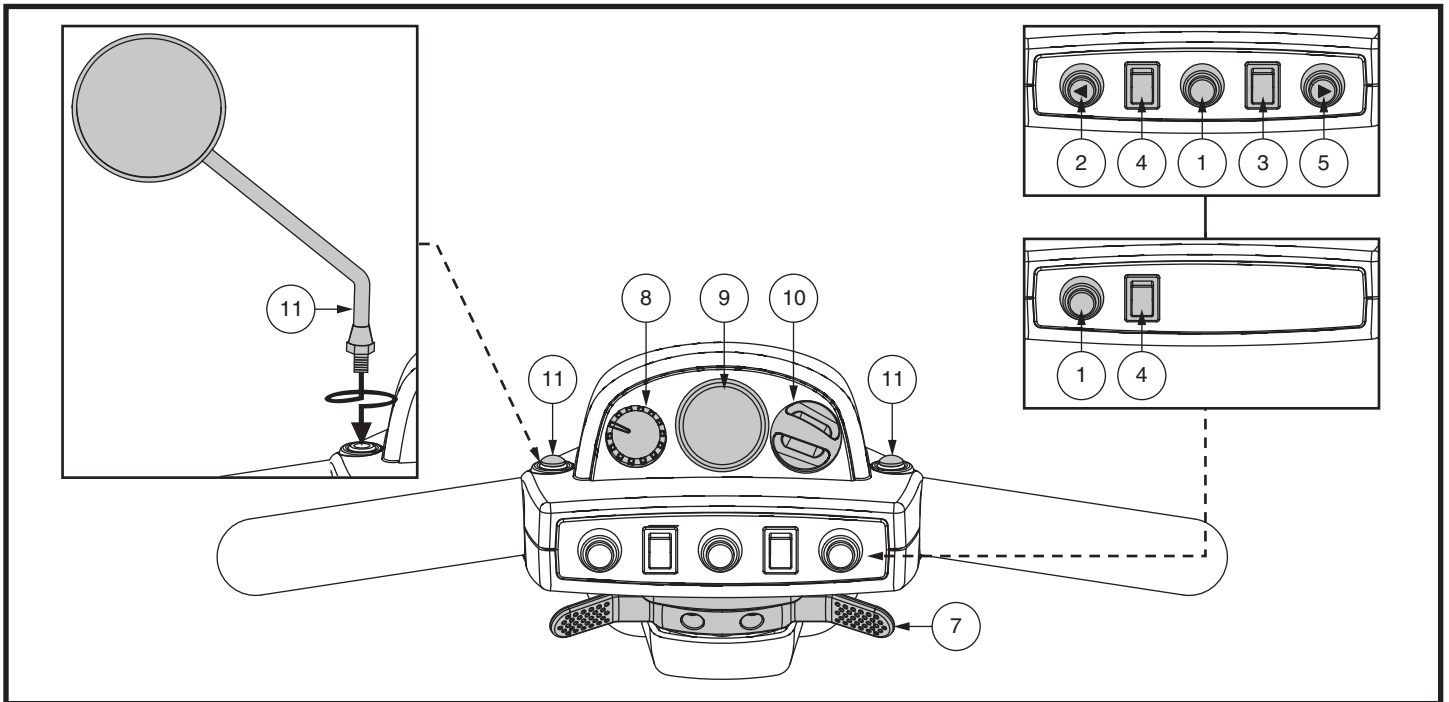


Figure 2. Tableau de bord B

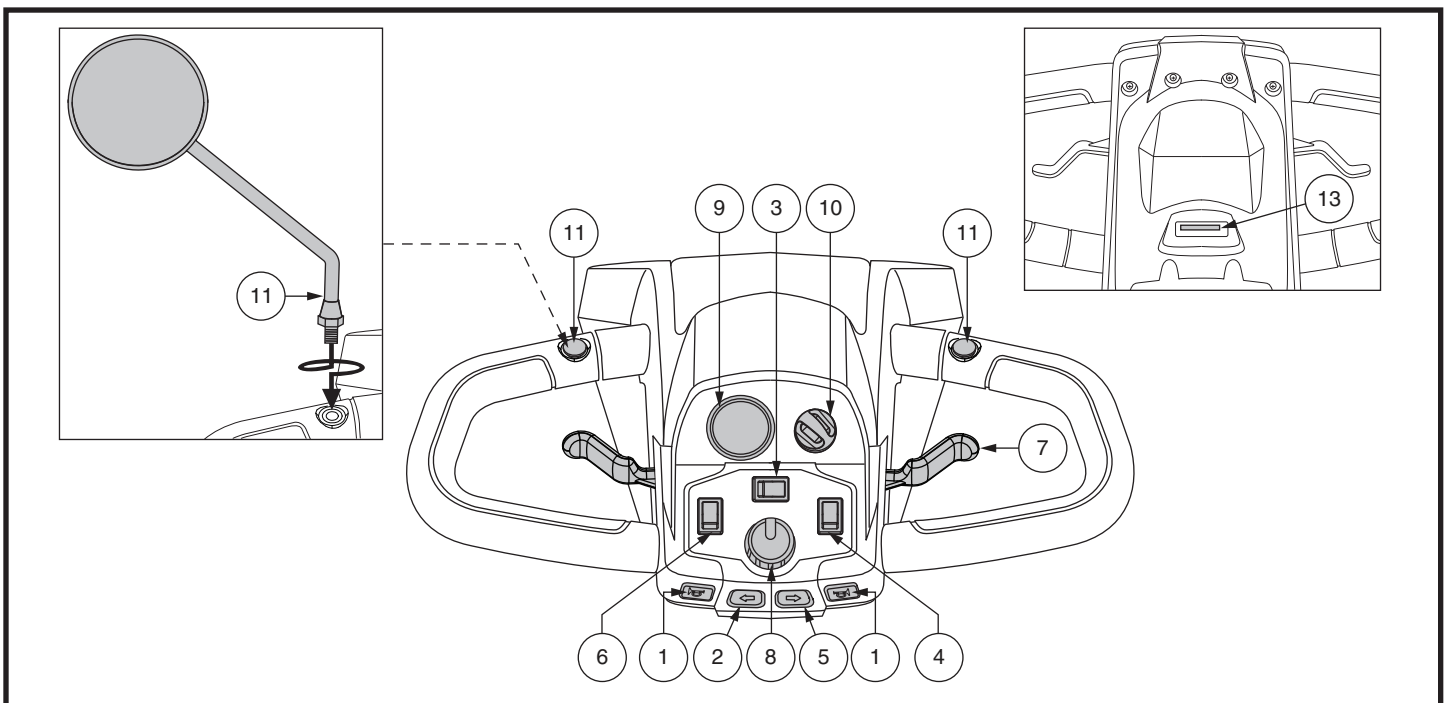


Figure 3. Tableau de bord C

## II. VOTRE SCOOTER

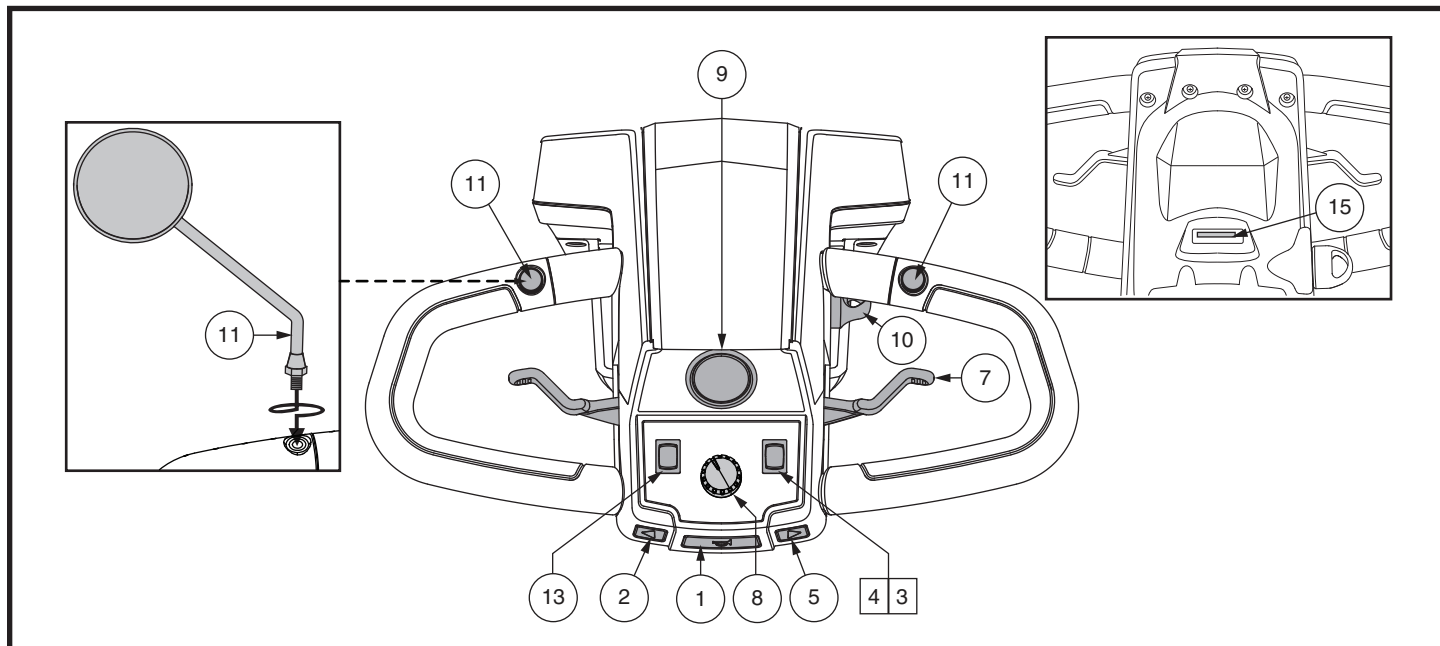


Figure 4. Tableau de bord D

### Klaxon 📢

Pesez sur le bouton pour klaxonner. Assurez-vous que la clé est sur le contact et que le scooter est allumé. N'hésitez pas à klaxonner si vous croyez pouvoir éviter un accident.

### Boutons des clignotants ◀▶

Utilisez ces boutons pour allumer ou éteindre les clignotants gauche ou droit (couleur ambre).

- Pesez sur le bouton gauche pour allumer le clignotant gauche. Le voyant lumineux du clignotant de la jauge à batteries clignotera.
- Pesez sur le bouton droit pour allumer le clignotant droit. Le voyant lumineux du clignotant de la jauge à batteries clignotera.
- Les clignotants s'arrêtent automatiquement après un moment.

### Commutateur des feux et du phare ☐

*Pour faire fonctionner le commutateur d'éclairage pour les modèles équipés avec le tableaux de bord A, C ou D:*

- Basculez l'interrupteur vers l'avant pour allumer le voyant inférieur avant.
- Retournez le commutateur en position centrale pour désactiver les lumières.

*Pour faire fonctionner le commutateur d'éclairage pour les modèles équipés avec le tableaux de bord B:*

- Basculez l'interrupteur vers l'avant pour allumer le voyant inférieur avant.
- Interrupteur à bascule vers l'arrière pour désactiver les lumières.

### Éclairage du sol

Certains modèles sont équipés d'un éclairage du sol. (Veuillez vérifier la table des caractéristiques du scooter sur la page 44 avant pour connaître la disponibilité.)

*Pour faire fonctionner la lumière de flaque d'eau pour les modèles équipés avec le tableaux de bord A ou C:*

- Interrupteur à bascule vers l'arrière pour activer la lumière de la flaque d'eau.
- Retournez le commutateur en position centrale pour désactiver les lumières.

*Pour faire fonctionner la lumière flaque pour les modèles équipés avec le tableaux de bord D:*

- Basculez l'interrupteur vers l'avant pour activer la lumière flaque.
- Interrupteur à bascule vers l'arrière pour désactiver la lumière flaque.

## II. VOTRE SCOOTER



**MISE EN GARDE! Vous devez allumer les feux (jour et nuit) lorsque la visibilité est mauvaise.**

### **Bouton des feux d'urgence** ▲

Ce bouton commande les feux d'urgence de votre scooter.

***Pour faire fonctionner les feux de détresse pour les modèles équipés avec le tableaux de bord A et B:***

- Basculez l'interrupteur vers l'avant pour allumer les feux.
- Basculez l'interrupteur vers l'arrière pour éteindre les feux.

***Pour faire fonctionner les feux de détresse pour les modèles équipés avec le tableaux de bord C:***

- Basculez l'interrupteur vers la droite pour allumer les feux.
- Basculez l'interrupteur vers la gauche pour désactiver les feux.

***Pour faire fonctionner les feux de détresse pour les modèles équipés avec le tableaux de bord D:***

- Basculez l'interrupteur vers l'arrière pour activer les feux.
- Retournez le commutateur en position centrale pour désactiver les feux.

### **Commutateur Hi-Lo**

Pour changer la vitesse maximale du scooter entre les réglages Hi/Lo. Basculer l'interrupteur vers l'avant sur (Hi) pour atteindre la vitesse maximum préprogrammée pour le scooter. Basculer l'interrupteur vers l'arrière (Low) pour atteindre la moitié de la vitesse maximum programmée pour le scooter.

### **Commutateur siège électrique (Si Equipé)**

Le commutateur commande le fonctionnement du siège électrique élévateur pour abaisser ou élever le siège automatiquement. Référez-vous à la section VI. "Réglages confort" pour de plus amples informations sur le fonctionnement et la sécurité du siège élévateur.

### **Leviers d'accélérateur**

Ces leviers commandent la marche avant ou arrière du scooter selon la vitesse maximale déterminée par le bouton de réglage de la vitesse.

***Pour utiliser le levier de contrôle d'accélération pour tous les modèles équipés avec le tableaux de bord A,B, ou C:***

**Pour rouler vers l'avant choisissez l'une ou l'autre de ces méthodes:**

- Utilisez votre pouce gauche pour appuyer sur le levier gauche et avancer.
- Utilisez vos doigts de la main droite pour tirer sur le levier droit et avancer.

**Pour rouler vers l'arrière choisissez l'une ou l'autre de ces méthodes:**

- Utilisez votre pouce droit pour appuyer sur le levier droit et reculer.
- Utilisez vos doigts de la main gauche pour tirer sur le levier gauche et reculer.

***Pour utiliser le levier de contrôle d'accélération pour les modèles équipés avec le tableaux de bord B:***

- Pour rouler vers l'avant choisissez, utilisez votre pouce droit pour appuyer sur le levier droit et reculer.
- Pour rouler vers l'arrière choisissez, utilisez votre pouce gauche pour appuyer sur le levier gauche et avancer.

Relâchez le levier complètement afin que le scooter s'immobilise complètement avant d'engager le levier opposé et changer de sens de roulement. Le levier retourne de lui-même au centre pour stopper le scooter afin que les freins s'engagent automatiquement.

## II. VOTRE SCOOTER

### Bouton de réglage de la vitesse maximale

Ce bouton vous permet de présélectionner la vitesse maximale désirée.

- L'image de la tortue représente la vitesse minimale.
- L'image du lièvre représente la vitesse maximale.

### Pour le modèle 710ZT, le cadran de réglage de la vitesse comporte trois (3) réglages de vitesse:

- L'image de la feuille (ECO) représente la vitesse la plus lente.
- L'image de l'homme (EV) représente le réglage de la vitesse fas.
- L'image du drapeau (SPORT) représente le réglage de vitesse le plus rapide.

### Jauge à batteries

Lorsque la clé est enfoncée et tournée dans la sens des aiguilles d'une montre pour mettre sous tension votre scooter, la jauge indique le voltage approximatif des batteries. Pour de plus amples informations sur la recharge des batteries, voir la section III. "Batteries et recharge".

### Voyant d'état (Si Equipé)

Celui-ci vous alerte en cas de problèmes électrique. Le voyant demeure constamment allumé lorsque le scooter est en marche. Si un problème électrique survient, le voyant clignotera selon un code établi afin de vous avertir et vous informer sur la nature du problème. Voir la section VII. "Problèmes et solutions" pour les codes.

### Clé de contact

- Insérez la clé dans le contact et tournez-la dans le sens horaire pour allumer votre scooter.
- Tournez la clé dans les sens opposé pour couper le contact de votre scooter.



**MISE EN GARDE! Si le contact est coupé alors que le scooter est en mouvement, les freins électroniques s'engageront et stopperont le scooter abruptement!**

### Positionnement et réglage du miroir

Pour plus d'informations sur le positionnement et le réglage de votre miroir, voir section V. "Réglages confort".

### Levier de frein à main (Si Equipé)

Ce levier vous procure de la puissance de freinage pour les arrêts d'urgence. Lorsque vous roulez, relâchez l'accélérateur et comprimez doucement le levier de frein à main afin d'arrêter le scooter.

Le frein à main peut être un frein de stationnement en comprimant complètement le levier et en plaçant le loquet de blocage en position verrouillée. **Voir la figure 1.** Pour relâcher le frein de stationnement, comprimez le levier à fond.



**MISE EN GARDE! Le frein à main a été conçu pour les freinages d'urgence et pour le stationnement seulement.**

### Réceptacle du chargeur externe

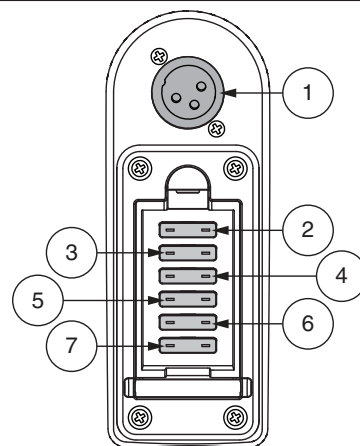
Pour charger les batteries, le cordon du chargeur doit être branché dans ce réceptacle. Le réceptacle est situé sur le guidon. **Voir la figure 4.**

### Fusibles du système électrique

Votre scooter est équipé d'une série de fusibles électriques qui protègent le système de recharge externe, le circuit du contact, les éclairages contre une surcharge de courant électrique. Ces fusibles sont de même type que ceux utilisés dans les automobiles et sont situées dans un compartiment sur le guidon. **Voir la figure 5.** Voir VII. "Problèmes et solutions" pour les instructions de remplacement.

#### CLE D'IDENTIFICATION

1. RECEPTACLE DU CHARGEUR EXTERNE
2. FUSIBLE: CHARGEUR EXTERNE
3. FUSIBLE: CLE DE CONTACT
4. FUSIBLE: PHARE INFERIEUR
5. FUSIBLE: FEUX ARRIERES
6. FUSIBLE: CLIGNOTANT (GAUCHE)
7. FUSIBLE: CLIGNOTANT (DROIT)



**Figure 5. Réceptacle du chargeur externe/ Fusibles de la console du guidon**

## II. VOTRE SCOOTER

**NOTE:** Gardez les espaces électriques bien au sec et libres de saletés.

### SECTION ARRIERE

La section arrière de votre scooter abrite le levier d'embrayage, les antibascule, le module moteur/transmission, et les supports pour drapeau de sécurité optionnel. Voir la figure 6. Bien que non représenté, les batteries et le disjoncteur principal (bouton de réinitialisation) sont également situés sur la partie de la composante arrière de votre scooter.



**MISE EN GARDE!** Avant débrayer votre scooter, soyez assuré que le contact est coupé. Ne jamais asseoir sur votre scooter lorsqu'il est au neutre (débrayé). Ne jamais débrayer votre scooter alors que celui-ci est dans une pente ou sur une surface inclinée.

### Levier de débrayage manuel

Vous pouvez débrayer votre scooter (neutre) pour le déplacer manuellement sur de courtes distances.

1. Retirez la clé du contact.
2. Poussez le levier d'embrayage vers l'avant pour débrayer le scooter et relâcher les freins. Déplacez le scooter manuellement.

**NOTE:** Si votre scooter est équipé d'un levier roue libre à 2 positions, vous devez tirer sur le levier, puis pousser le levier manuel de roue libre en avant afin de désactiver le système d'entraînement et le système de freinage. Cela vous permettra de pousser le scooter.

3. Tirez le levier vers l'arrière pour embrayer le moteur et réengager les freins.



- MISE EN GARDE!** Lorsque le scooter est en mode roues libres (au neutre) les freins sont relâchés.
- Passez en mode roues libre seulement lorsque le scooter est sur une surface horizontale.
  - Assurez-vous que la clé n'est pas sur le contact.
  - Tenez-vous debout à côté le scooter pour passer en mode roues libres ou pour embrayer les moteurs. Ne jamais le faire alors que vous êtes assis sur le siège.
  - Lorsque vous avez terminé le déplacement manuel du scooter, remettez toujours le scooter en mode embrayé afin d'engager les freins.

**NOTE:** Si vous débrayez le scooter (levier poussé vers l'avant) alors que le scooter est allumé clé à la position "ON", le scooter ne pourra fonctionner tant que le levier ne sera pas replacé à la position vers l'arrière et que le scooter ne sera éteint puis allumé de nouveau.

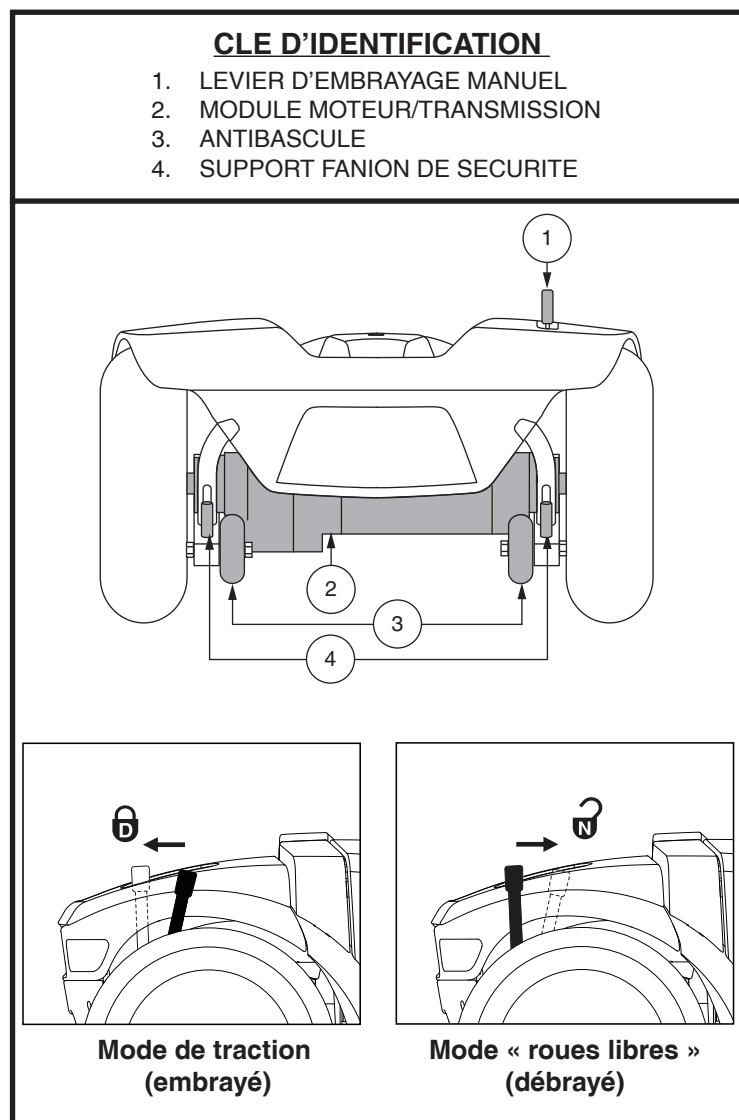


Figure 6. Section arrière

## II. VOTRE SCOOTER

### CLE D'IDENTIFICATION

1. LEVIER D'EMBRAYAGE MANUEL
2. MODULE MOTEUR/TRANSMISSION
3. ANTIBASCULE

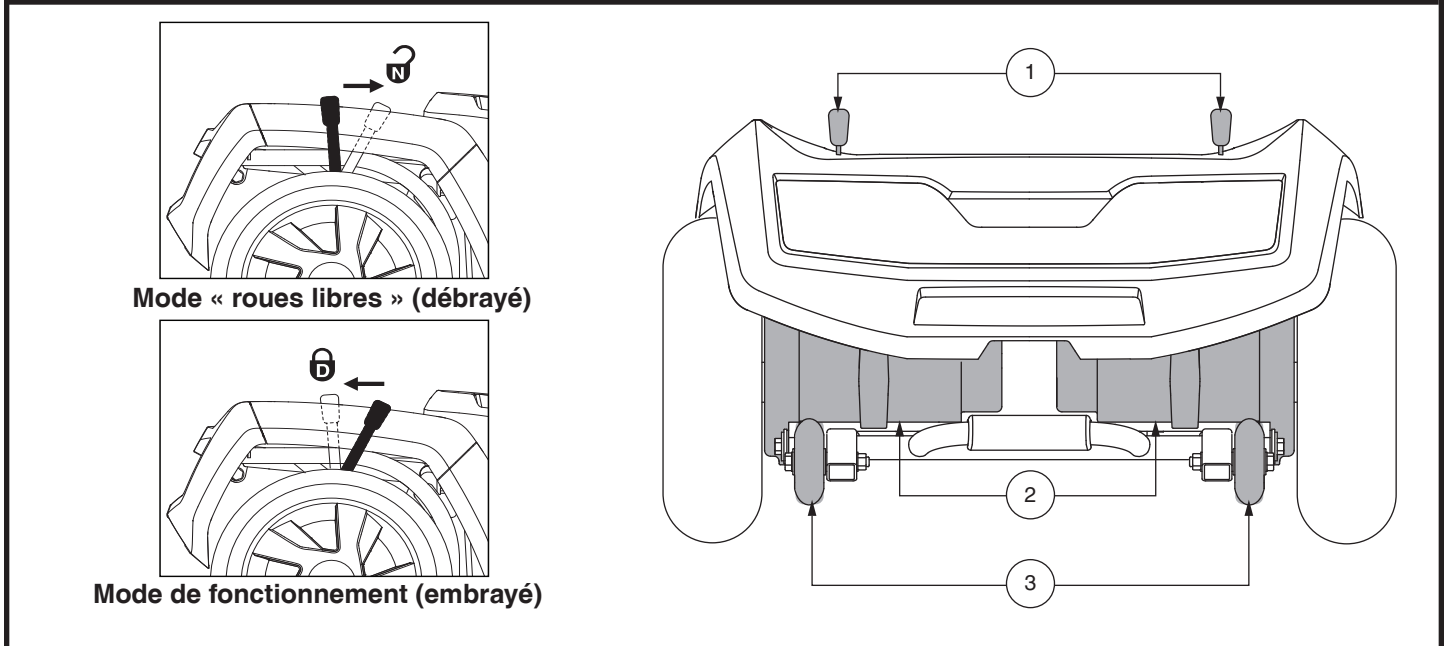


Figure 7. Section arrière - 710ZT

### Levier d'embrayage manuel - 710ZT

Votre Scooter est équipé de deux leviers d'embrayage manuel « pour passer au neutre » un sur chaque moteur. Ces leviers vous permettent de débrayer les moteurs de la boîte de vitesse, afin de pouvoir manoeuvrer votre scooter manuellement. Voir la figure 7.



**MISE EN GARDE! N'utilisez pas le scooter lorsque les moteurs sont débrayés. Ne débrayez pas le scooter lorsque celui-ci est sur une pente ou une surface inclinée sous peine de le voir rouler de lui même hors contrôle.**

**MISE EN GARDE! Rappelez-vous que lorsque le scooter est débrayé, les freins électriques sont relâchés.**

*NOTE: Il est fortement recommandé de ne pas charger vos batteries en mode freewheel « roues libres ».*

*NOTE: Vous devez éteindre le scooter avant de le débrayer sous peine de provoquer un message d'erreur sur le Scooter. Pour corriger le problème, coupez le contact du Scooter et embrayez le Scooter puis remettez le contact. Le message d'erreur devrait être effacé. Si le message persiste, contactez un détaillant autorisé.*

### Pour embrayer ou débrayer les moteurs:

1. Trouvez les leviers sur la section arrière de la Scooter. Voir la figure 7.
2. Tirez sur les deux leviers vers l'avant du Scooter pour désengager les moteurs d'entraînement (mode « roues libres »).
3. Poussez les deux leviers vers l'arrière du Scooter pour engager les moteurs d'entraînement (mode de fonctionnement).

Si un levier offre de la résistance, secouer légèrement le Scooter. Le levier devrait passer en position désirée.



**MISE EN GARDE! N'utilisez pas les leviers de débrayage comme point d'attache pour ancrer votre Scooter.**



## II. VOTRE SCOOTER

### Module moteur/transmission

Le module moteur/transmission est composé du moteur et d'un essieu scellé à la transmission et au différentiel. Ce module fournit la puissance aux roues motrices de votre scooter.

### Roulettes antibasculer

Les roulettes antibasculer sont une composante de sécurité importante de votre scooter. Elles sont boulonnées sur la structure à l'arrière du scooter.



**INTERDIT! Ne pas retirer ou modifier d'aucune manière les roulettes antibasculer sans avoir obtenu l'autorisation de votre détaillant autorisé.**



**MISE EN GARDE! Les roues anti-basculer peuvent provoquer des interférences avec la transition en douceur de votre scooter lorsque vous montez ou descendez un trottoir. Contactez votre détaillant autorisé pour plus d'informations.**

### Compartiment de stockage (si équipé)

Le compartiment de stockage est situé dans la guidon de votre scooter pour le stockage pratique d'objets personnels.



**MISE EN GARDE! Aucun effet personnel, animaux, électronique ou objets de valeur ne doivent être stockés dans le compartiment de stockage et laissés sans surveillance.**

### Batteries

Les batteries emmagasinent l'énergie électrique de votre scooter. Voir la section III. "Batteries et recharge" pour de plus amples informations au sujet de la jauge à batteries.

### Support fanion de sécurité (Facultatif)

Un support pour fanion (facultatif) est monté près de chaque roulette antibasculer. Pour installer le fanion, vous aurez besoin de la clé hexagonale en «L» fournie. **Voir la figure 6.**

#### Pour installer les fanions sur la structure arrière:

1. Retirez le couvercle sur le dessus du support.
2. Desserrez la vis de fixation avec la clé en «L».
3. Insérez la tige du fanion dans l'ouverture.
4. Serrez-bien la vis de fixation.

### Bouton du disjoncteur principal

Lorsque les batteries sont faibles et que la demande est excessive (charge lourde ou pente forte) le disjoncteur peut se déclencher pour éviter d'endommager les composants électroniques et le moteur. **Voir la figure 8.**

- Lorsqu'il est déclenché, la tête du bouton du disjoncteur sort.
- Attendez une minute avant d'essayer d'enclencher le circuit à nouveau.
- Pesez sur le bouton pour l'enfoncer et rétablir les circuits.
- Si le disjoncteur se déclenche à répétition, nous recommandons de charger vos batteries plus souvent.
- Si le disjoncteur principal saute à répétition, contactez votre détaillant pour obtenir de l'aide.

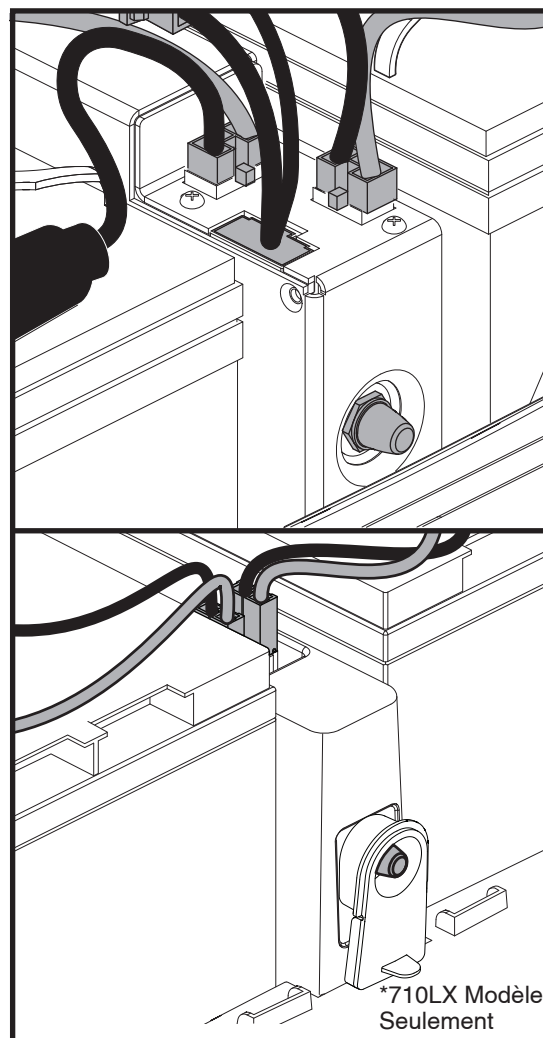


Figure 8. Bouton du disjoncteur principal

## II. VOTRE SCOOTER

### ANCRAGE DU SCOOTER

Le scooter doit toujours être ancrés face à l'avant du véhicule. Fixez les quatre (4) courroies aux points d'ancrage désignés sur le scooter. **Voir la figure 9 et 10.** Serrez-bien les courroies pour retirer le jeu excessif. N'attachez jamais le scooter par ses composants réglables ou mobiles tels que les accoudoirs, capots ou roues. Ces articles devraient être enlevés. Positionnez les points d'ancrage arrière des courroies directement derrière le scooter. Les points d'ancrage avant sont disposés plus loin de chaque coté du scooter afin d'augmenter la stabilité latérale.

#### CLE D'IDENTIFICATION

1. POINTS D'ANCRAGE AVANT (3-ROUES MODÈLES)
2. POINTS D'ANCRAGE AVANT (4-ROUES MODÈLES)
3. POINTS D'ANCRAGE ARRIERE

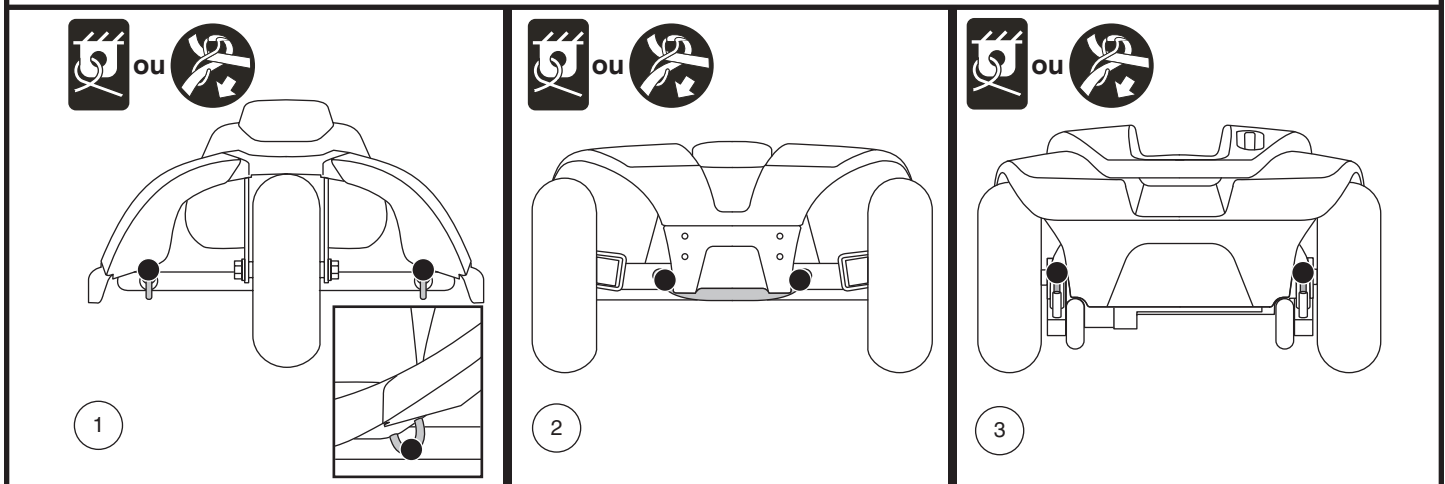


Figure 9. Points d'ancrage (indentifié avec des points noirs)

**MISE EN GARDE!** Assurez-vous que le scooter est bien attaché au véhicule pendant le transport routier. Un scooter qui n'est pas ancré correctement pourrait devenir dangereux pour son occupant et pour les autres passagers du véhicule lors d'un arrêt brusque, dans un virage serré puisque le scooter pourrait se renverser et se déplacer violemment en cas de collision. N'attachez jamais le scooter par ses composants réglables ou mobiles tels que les accoudoirs, le siège, le panier, les supports d'accessoire, etc.



#### CLE D'IDENTIFICATION

1. POINTS D'ANCRAGE ARRIERE

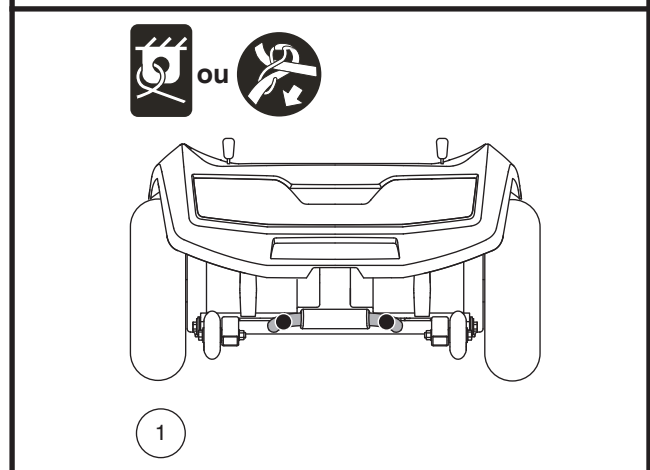


Figure 10. 710ZT - Points d'ancrage (indentifié avec des points noirs)

# III. BATTERIES ET RECHARGE

## BATTERIES ET RECHARGE

Votre scooter utilise deux batteries à décharge poussée, scellées et sans entretien de 12 volts. Elles sont rechargées par le chargeur externe.

- Chargez vos batteries au moins 8 à 14 heures avant la toute première utilisation de votre scooter.
- Gardez vos batteries bien chargées pour éviter les complications.

## LECTURE DU VOLTAGE DES BATTERIES

La jauge à batteries située sur le tableau de bord indique la quantité d'énergie stockée dans les batteries à l'aide d'un code de couleur. Le vert indique des batteries pleine charge, le jaune indique que la charge est partielle tandis que le rouge montre que les batteries doivent être rechargées immédiatement. **Voir la figure 11.** Pour avoir une mesure fiable, vous devez débrancher le cordon d'alimentation du chargeur et mettre le contact du scooter.

*NOTE: Le Mètre ambiant (compteur de condition de batterie 1c) ajuste la luminosité en fonction de l'environnement.*

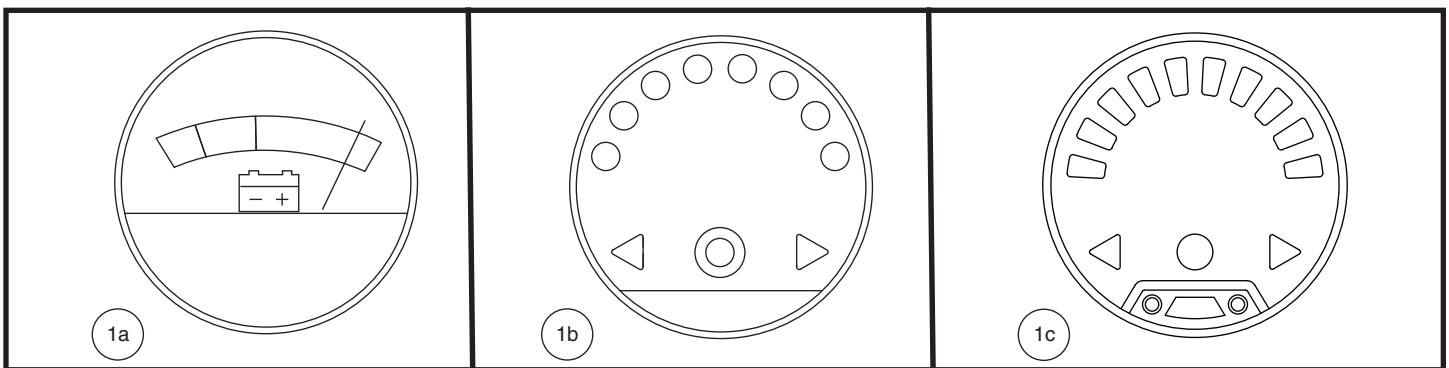


Figure 11. Jauge à batteries

## RECHARGE DES BATTERIES



**INTERDIT!** Vous risquez de provoquer une situation dangereuse si vous enlevez la branche de mise à la terre du connecteur électrique sur le cordon d'alimentation du chargeur. Au besoin, installez un adaptateur à 3 branches sur la prise électrique à 2 fentes.



**INTERDIT!** N'utilisez jamais une rallonge de cordon électrique pour brancher le chargeur à batteries. Branchez-le directement dans une prise électrique standard.



**INTERDIT!** Ne laissez pas d'enfant jouer sans surveillance près d'un scooter lorsque vous rechargez les batteries. Nous recommandons de ne pas recharger les batteries lorsque le scooter est occupé.



**OBLIGATOIRE!** Lisez les instructions sur le fonctionnement du chargeur dans ce manuel et celles contenues dans le manuel fourni avec le chargeur avant de commencer la recharge des batteries.



**MISE EN GARDE!** Des vapeurs explosives peuvent être émises pendant la recharge des batteries. Ventilez adéquatement la pièce et n'approchez pas du chargeur avec des étincelles ou une flamme ouverte pendant la recharge des batteries.

**MISE EN GARDE!** Vous devez recharger les batteries avec le chargeur externe qui a été fourni avec votre scooter. N'utilisez pas un chargeur de type automobile.



**MISE EN GARDE!** Inspectez le chargeur, les fils et les connecteurs avant chaque utilisation. Contactez votre revendeur autorisé si vous découvrez des dommages.

**MISE EN GARDE!** Ne tentez pas d'ouvrir le boîtier du chargeur. Si le chargeur ne semble pas fonctionner correctement, contactez votre revendeur autorisé.

# III. BATTERIES ET RECHARGE

**MISE EN GARDE!** Si le chargeur est équipé de fentes de refroidissement, ne tentez pas d'insérer d'objets dans ces fentes.



**MISE EN GARDE!** Soyez conscient que le boîtier du chargeur de batterie peut devenir chaud pendant la charge. Évitez tout contact cutané et ne placez pas dessus des surfaces susceptibles d'être affectées par la chaleur.



**MISE EN GARDE!** N'exposez pas votre chargeur aux intempéries sauf si celui-ci a été approuvé pour l'usage à l'extérieur. Si le chargeur est exposé aux intempéries, alors il doit avoir le temps de s'adapter aux conditions internes avant de l'utiliser à l'intérieur. Référez-vous au manuel fourni avec le chargeur pour de plus amples informations.

Voici comment recharger vos batteries sécuritairement:

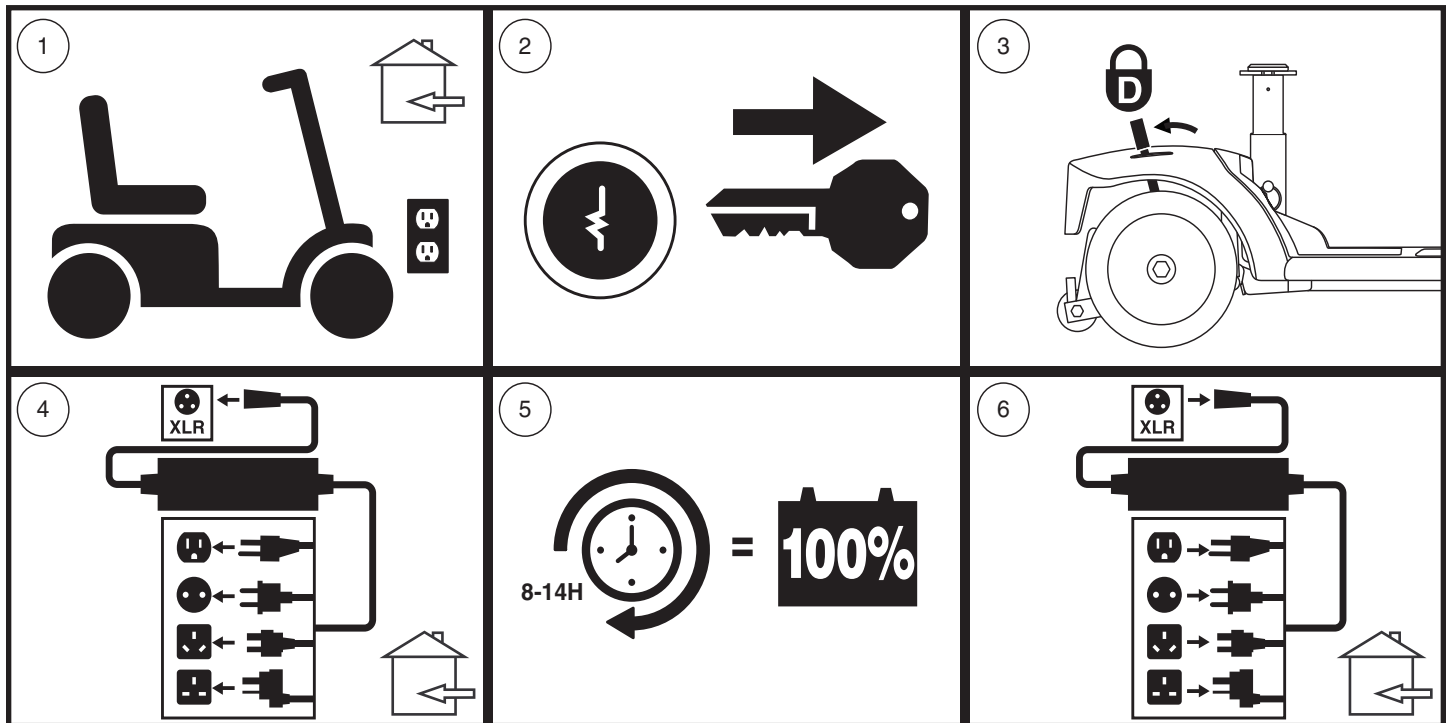


Figure 12. Recharge des batteries schéma des procédures

**NOTE:** Pour le modèle 710ZT, les leviers de roue libre manuels fonctionnent dans la direction opposée (voir figure 7); par conséquent, pour l'étape 3 de la figure 12, les leviers doivent être poussés vers l'avant pour engager le mode de conduite.



**MISE EN GARDE!** Les voyants lumineux sur le chargeur vous informent sur l'état actuel. Si dans les 24 heures, la DEL n'indique pas que la charge est terminée, débrancher le chargeur de la prise et contactez votre détaillant autorisé. Référez-vous au manuel fourni avec le chargeur pour les instructions complètes sur les voyants lumineux.

**NOTE:** Le scooter possède un dispositif qui bloque le fonctionnement du scooter et de sa jauge à batteries pendant la recharge de batteries.

## QUESTIONS POSEES FREQUEMMENT

### Comment fonctionne le chargeur?

Si les batteries sont faibles, le chargeur travaillera davantage. Au fur et à mesure que les batteries se rechargent, le chargeur ralentit le débit de recharge jusqu'à ce que les batteries soient complètement chargées. Lorsqu'elles le sont, le niveau d'intensité est presque à zéro. Les batteries seront alors maintenues chargées mais ne peuvent être surchargées. Reportez-vous au manuel fourni avec le chargeur de batterie pour des instructions de chargement.

# III. BATTERIES ET RECHARGE

## Puis-je utiliser un autre chargeur?

Les chargeurs sont choisis en fonction de l'utilisation et sont bien adaptés au type, à la capacité et à la formule chimique des batteries utilisées. La façon la plus rapide et sûre de recharger les batteries de votre scooter est à l'aide du chargeur d'origine fourni avec votre produit. Ne rechargez pas les batteries individuellement.

## Que faire si les batteries ne se rechargent pas?

- Assurez-vous que les câbles rouges (+) et noir (-) sont bien branchés aux bornes des batteries.
- Assurez-vous que les fils qui connectent les batteries au chargeur sont branchés correctement.
- Assurez-vous que le cordon d'alimentation du chargeur soit bien enfoncé dans le réceptacle et la prise murale.
- Assurez-vous que le fusible du chargeur sur la barre n'est pas sauté. **Voir les figures 5 et 31.**

## À quelle fréquence dois-je recharger mes batteries?

Deux facteurs influencent la nécessité de recharger les batteries.

- Une utilisation journalière.
- Une utilisation occasionnelle du scooter.

D'autres facteurs, comme le poids du conducteur, les bagages, la configuration du terrain doivent aussi être pris en considération. Conscient de ces facteurs, vous devez vous poser deux questions: «Est-ce que je dois recharger mes batteries souvent et pendant combien de temps?». Bien que le chargeur de batteries intégré ait été conçu de façon à ne jamais surcharger les batteries, plusieurs propriétaires hésitent à charger leurs batteries régulièrement. Si vous suivez les conseils décrits ci-dessous, vos batteries seront fiables et plus durables.

- Si vous utilisez votre scooter toute la journée, rechargez vos batteries dès que vous avez fini de l'utiliser. Le chargeur possède un dispositif automatique qui ne surchargera pas vos batteries et votre scooter sera prêt chaque matin. Après une journée d'utilisation, il est recommandé de recharger vos batteries pendant au moins 8 à 14 heures. Nous recommandons de charger les batteries pendant 4 heures supplémentaires après que le chargeur de la batterie indique que la charge est terminée.
- Si vous utilisez votre scooter occasionnellement (une fois par semaine ou moins), il est recommandé de recharger vos batteries au moins une fois par semaine pendant au moins 24 heures.

**NOTE: Gardez vos batteries bien chargées et évitez de les décharger complètement. Reportez-vous au manuel fourni avec le chargeur de batterie pour des instructions de chargement. Nous recommandons de charger vos batteries pendant au moins 48 heures consécutives une fois par mois afin d'améliorer les performances et la vie de la batterie.**

## Comment obtenir une distance maximale avec mes batteries?

Les conditions de conduite ne sont pas toujours idéales ie: terrain ferme et plat, sans courbe et sans vent contraire. Souvent, nous faisons face à des pentes, des crevasses dans les trottoirs, du gravier, des courbes, etc. Ces facteurs affecteront la distance que vous pourrez parcourir avec votre scooter. Voici quelques suggestions pour maximiser la distance parcourue avec une recharge de batteries.

- Avant de partir, assurez-vous que vos batteries sont complètement chargées.
- Maintenez la pression recommandée dans les pneus si votre scooter en est équipé.
- Planifiez votre sortie de façon à éviter les pentes et les surfaces difficiles.
- Emportez le minimum de bagages.
- Essayez de maintenir une vitesse constante.
- Évitez d'arrêter et de repartir fréquemment.
- Nous recommandons de charger vos batteries pendant au moins 48 heures consécutives une fois par mois afin d'améliorer les performances et la vie de la batterie.
- Assurez-vous qu'elles les câbles soient branchées de façon sécuritaire.

## Que dois-je faire pour allonger la vie utile de mes batteries?

Les batteries à décharge poussée sont conçues pour fournir une performance supérieure plus longtemps que les batteries ordinaires. Gardez vos batteries pleinement chargées aussi souvent que possible. Des batteries trop déchargées, rechargées de façon non assidue, ou entreposées sans qu'elles ne soient pleinement chargées ne seront pas fiables, auront une piètre performance et de plus, dureront moins longtemps.

# III. BATTERIES ET RECHARGE

**NOTE:** Pour prolonger la vie de la batterie, éteignez toujours le scooter et retirez la clé lorsqu'il n'est pas utilisé.

## Quel type de batteries devrais-je utiliser?

Nous recommandons les batteries à décharge poussée (deep cycle), sans entretien et scellées à l'usine ce qui élimine les risques de fuite. Les batteries de type AGM ou au gel scellées sont des batteries "à décharge poussée" offrant des performances similaires. N'utilisez pas de batteries conventionnelles à bouchons enlevables. Référez-vous au tableau des spécifications pour les dimensions des batteries selon les différents fabricants.



**MISE EN GARDE! Les batteries contiennent des produits corrosifs. Utilisez seulement des batteries de type AGM ou au gel afin de réduire le risque de fuite ou d'explosion.**

**NOTE:** Les batteries scellées n'ont pas besoin d'ajout de liquide. N'enlevez pas les bouchons.

## Pourquoi mes nouvelles batteries semblent-elles faibles?

Les batteries de type "à décharge poussée" sont très différentes des batteries d'automobiles, nickel/cadmium ou des autres batteries de type courant. Entre autres, les composantes chimiques utilisées dans les batteries à décharge poussée augmentent leur puissance et permettent de les recharger rapidement.

En collaboration avec son fournisseur de batteries, nous équipe ses scooters avec les meilleures batteries disponibles. Elles sont chargées à bloc avant la livraison, cependant le transport les expose à des conditions climatiques parfois extrêmes qui peuvent affecter leur performance. En effet, la chaleur et le froid réduisent la charge des batteries et augmentent le temps nécessaire pour les recharger.

Une batterie gelée peut prendre quelques jours pour se stabiliser à la température ambiante. De plus, il est important de se rappeler que les batteries atteindront leur performance maximale après quelques cycles d'utilisation et de recharge.

## Voici quelques conseils pour bien roder vos batteries:

1. Chargez complètement vos batteries avant d'utiliser votre appareil pour la première fois. Elles seront alors à 88% de leur capacité.
2. Utilisez tout d'abord votre scooter autour de la maison de façon à vous habituer aux commandes et en apprécier le confort. Ceci permettra de roder vos batteries.
3. Rechargez vos batteries à nouveau pendant environ au moins 8 à 14 heures. Utilisez votre scooter de façon à continuer le rodage. Vos batteries seront alors à 90% de leur capacité.
4. Utilisez de nouveau votre scooter et rechargez vos batteries.
5. Après quatre ou cinq cycles de décharge et recharge, vos batteries atteindront 100% de leur capacité et dureront plusieurs années grâce aux soins que vous leur aurez apportés.

## Au sujet des transports publics?

Les batteries scellées (AGM) et les batteries au gel ont été conçues pour être utilisées dans les scooters et des véhicules semblables. Ces batteries sont la Federal Aviation Administration (FAA) a approuvé (États-Unis uniquement), permettant le transport en sécurité sur transporteurs aériens, les autobus et les trains car les risques de fuite ou de renversement sont inexistantes. Nous vous suggérons quand même de communiquer avec la compagnie de transport pour connaître leurs exigences.

## Comment remplacer une batterie dans mon scooter?



**OBLIGATOIRE! Les batteries, les bornes et les accessoires contiennent du plomb. Portez des lunettes et des gants pour les manipuler et lavez vos mains après les avoir manipulées.**



**INTERDIT! Utilisez toujours des batteries identiques, du même modèle, même capacité ampère/heure (Ah). Référez-vous dans ce les spécifications du produit et dans le manuel du chargeur pour connaître le type et modèle recommandé.**

# III. BATTERIES ET RECHARGE

**MISE EN GARDE! N'utilisez pas une vieille batterie en paire avec une neuve. Il faut toujours remplacer les deux batteries à la fois.**



**MISE EN GARDE! Contactez votre détaillant autorisé si vous avez des questions au sujet des batteries de votre scooter.**

**MISE EN GARDE! Ne pas procéder au remplacement lorsque quelqu'un y prend place.**

**MISE EN GARDE! Le remplacement des batteries de votre scooter doit être fait par votre détaillant autorisé ou un technicien qualifié.**



**INTERDIT! Tenez les objets et outils métallique loin des bornes des batteries. Un contact avec un outil en métal peut provoquer un choc électrique.**

**Vous aurez besoin des outils suivants pour remplacer les batteries:**

- Ensemble de clés à rochet métriques/standards
- Clé ajustable
- Tournevis

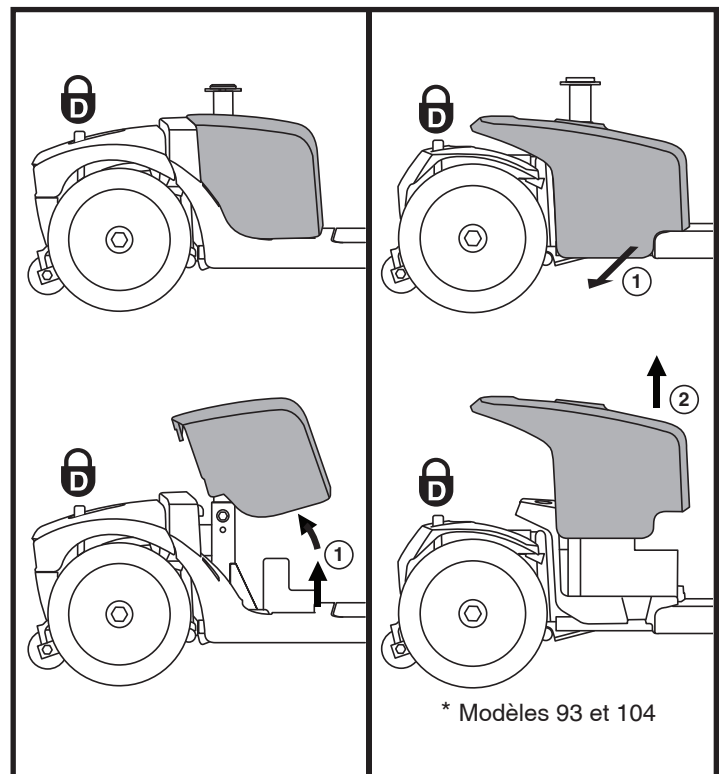


**MISE EN GARDE! Ne tentez pas de soulever plus que vous ne le pouvez. Demandez de l'aide au besoin pour l'assemblage ou le démontage de votre scooter.**

**MISE EN GARDE! Ne tirez pas directement sur les câbles pour les détacher du scooter. Il faut toujours prendre le connecteur pour détacher le câble afin d'éviter les dommages.**

**Pour remplacer une batterie dans votre scooter:**

1. Retirez le siège et le capot à batteries. **Voir la figure 13.**
2. Détachez les courroies des batteries. **Voir la figure 14.**
3. Débranchez les batteries en appuyant sur les languettes des connecteurs du faisceau de la batterie et en les tirants vers le haut. **Voir la figure 14.**
4. Débranchez les câbles des bornes des batteries en soulevant la housse des bornes et en desserrant le boulon et l'écrou sur chaque borne. **Voir la figures 15 et 16.**
5. Retirez les vieilles batteries des puits à batteries.
6. Placez une nouvelle batterie dans chaque puits. Pour les modèles 710LX et 710LXW, dirigez les bornes de batterie de chaque batterie vers l'arrière. Pour tous les autres modèles, placez les bornes de batterie l'une en face de l'autre et vers les côtés extérieurs du scooter. **Voir la figure 14.**
7. Branchez le câble rouge à la borne positive (+) sur chaque batterie.
8. Branchez le câble noir à la borne négative (-) sur chaque batterie.
9. Remplacez les housses sur les bornes.
10. Rebranchez les câbles sur les connecteurs à batteries.
11. Attachez les batteries avec leur courroie d'ancrage.
12. Réinstallez le capot et le siège.



**Figure 13. Retirer/Installer le protecteur de la batterie**

**NOTE: Si vous découvrez qu'une de vos batteries est endommagée ou fissurée, placez-la immédiatement dans un sac en plastique et contactez votre détaillant pour obtenir les instructions pour en disposer de manière sécuritaire. Celui-ci vous informera sur le recyclage des batteries et sur la procédure à suivre.**

# III. BATTERIES ET RECHARGE

## CLE D'IDENTIFICATION

1. DISJONCTEUR DU CIRCUIT PRINCIPAL
2. CONNECTEURS A BATTERIES SOUS LES BOTTES
3. SANGLE DE FIXATION DE LA BATTERIE
4. CONNECTEUR DES CABLES DE LA BATTERIE
5. CONNECTEUR DU CABLE AVANT/ARRIERE

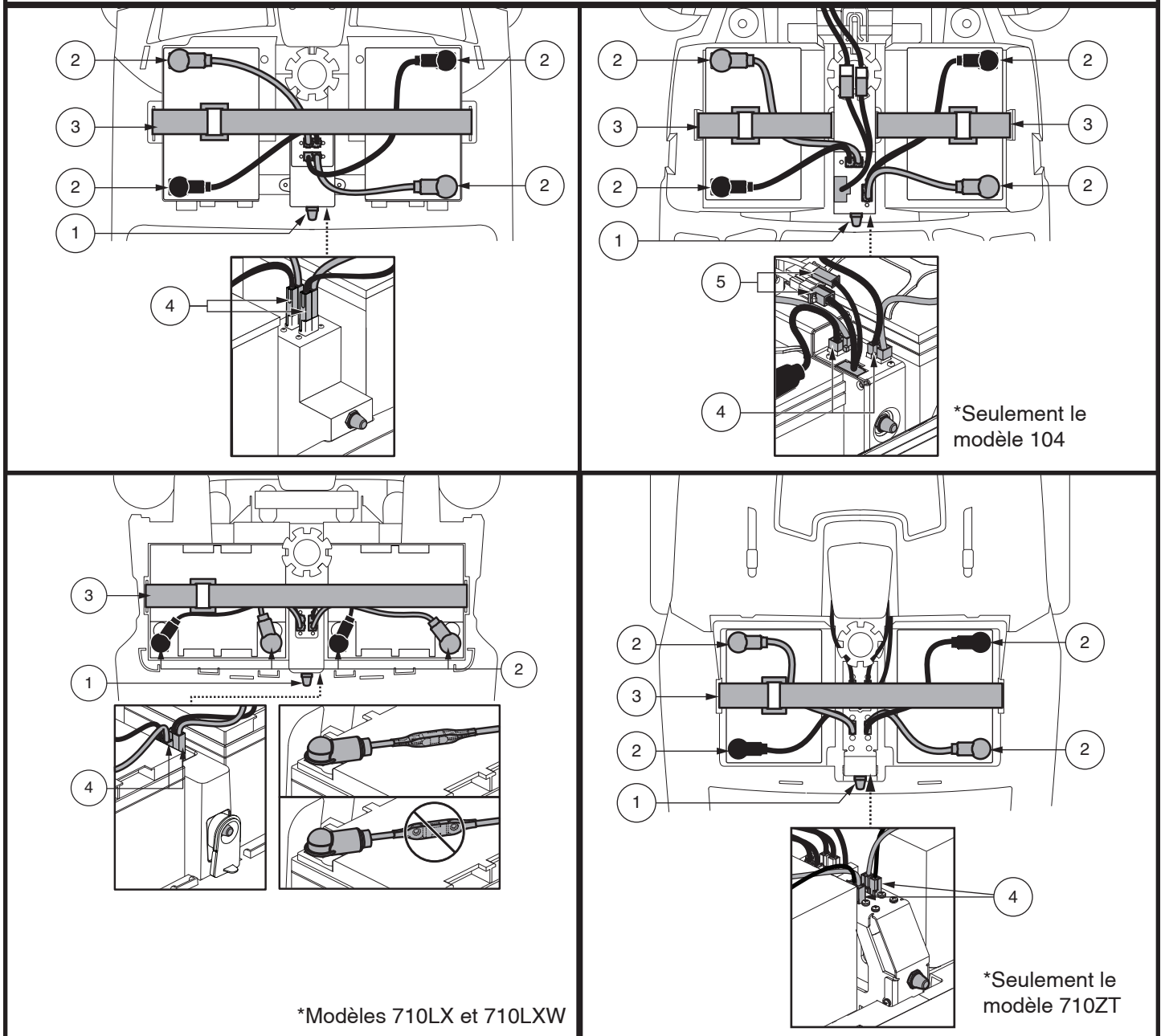


Figure 14. Enlèvement/installation des batteries et connexions



# III. BATTERIES ET RECHARGE

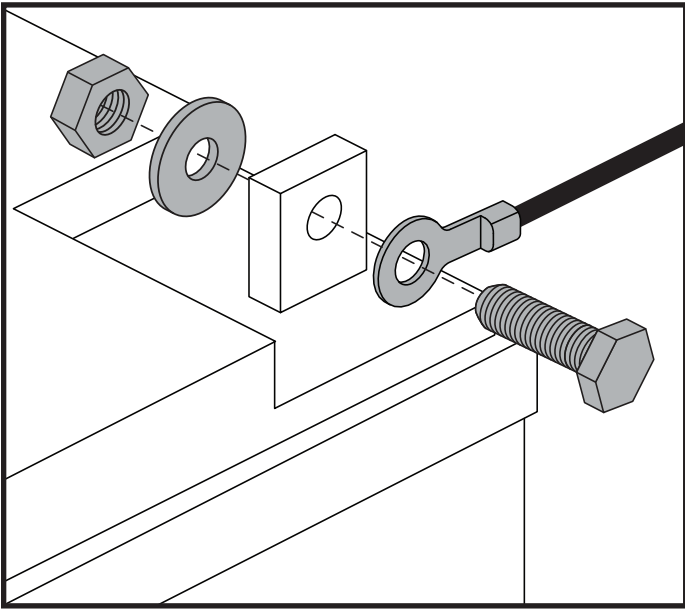


Figure 15. Batterie Borne Matériel - Configuration 1

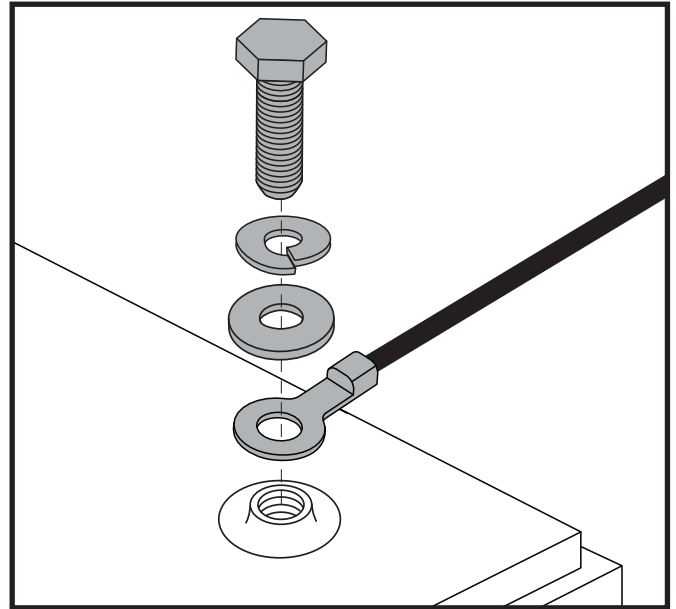


Figure 16. Batterie Borne Matériel - Configuration 2

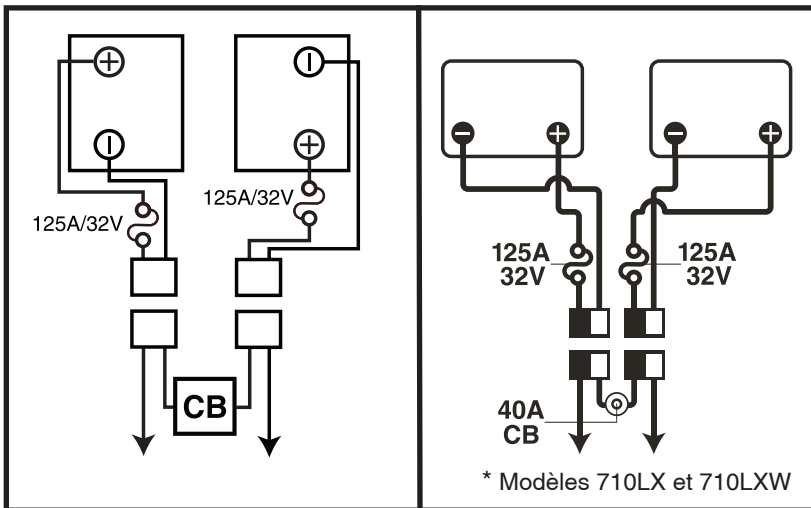


Figure 17. Orientation Des Fils Des Batteries

## IV. FONCTIONNEMENT

### AVANT DE PRENDRE PLACE SUR VOTRE SCOOTER

- Avez-vous rechargé vos batteries à fond? Voir la section III. “Batteries et recharge.”
- Le scooter est-il embrayé. Ne laissez jamais votre scooter en mode « roues libres » manuel sauf si vous poussez manuellement votre scooter.
- Vérifiez que la température de l’air est comprise entre -25°C/-13 °F à 50°C/122°F.

### S’INSTALLER SUR SON SCOOTER

1. Assurez-vous que la clé n’est pas sur le contact.



**MISE EN GARDE! Ne jamais monter sur votre scooter sans d’abord retirer la clé du contact. Ceci évitera un contact accidentel avec un des leviers d’accélérateur.**

2. Tenez-vous debout à côté de votre scooter.
3. Débloquez le siège et faites-le pivoter jusqu’à ce qu’il soit face à vous.
4. Assurez-vous qu’il est bien bloqué en placé.
5. Asseyez-vous confortablement sur le siège.
6. Débloquez le siège et pivotez pour faire face à l’avant du scooter.
7. Assurez-vous qu’il est bien bloqué en place.
8. Vérifiez que vos pieds soient bien posés sur le plancher du scooter.

### VERIFICATIONS AVANT DEPART

- Le siège est-il à la bonne hauteur? Voir la section V. “Réglages confort.”
- Le siège est-il bloqué en position?
- Avez-vous réglé et verrouillé l’angle du mât du guidon pour être confortablement installé? Voir la section V. “Réglages confort.”
- La clé est-elle complètement enfoncée dans le contact et le scooter est-il allumé?
- Le klaxon fonctionne-t-il?
- Avant de partir, assurez-vous qu’il n’y a personne ni aucun obstacle devant vous.
- Avez-vous choisi votre parcours afin d’éviter les pentes et les surfaces difficiles?

### FONCTIONNEMENT DE VOTRE SCOOTER

**MISE EN GARDE! Les situations suivantes peuvent affecter la stabilité et/ou la conduite de votre scooter:**



- Tenir ou attacher la laisse de votre animal de compagnie.
- Prendre un passager (humain ou animal).
- Suspendre tout objet au guidon.
- Remorqué ou être poussé par un autre véhicule.

**MISE EN GARDE! Gardez vos deux mains sur le guidon et les deux pieds sur le plancher en tout temps afin de conserver un meilleur contrôle de votre véhicule.**

- Réglez le bouton de vitesse au niveau désiré.
- Pesez ou tirez sur le levier d’accélérateur approprié.
- Les freins électriques se relâcheront automatiquement et votre scooter avancera à la vitesse sélectionnée.
- Tirez le guidon vers la gauche pour avancer vers la gauche.
- Tirez le guidon vers la droite pour aller vers la droite.
- Placez le guidon au centre pour avancer en droite ligne.
- Relâchez l’accélérateur pour ralentir et vous arrêter complètement. Les freins électromagnétiques de stationnement s’engageront automatiquement dès que le scooter sera arrêté.

## IV. FONCTIONNEMENT

**NOTE:** Si équipé de la technologie iTurn Technology™, tourner rapidement le timon complètement d'un côté puis de l'autre peut empêcher le scooter de fonctionner comme prévu et/ou provoquer une panne du contrôleur. Pour réinitialiser le contrôleur, tournez la barre en position centrale, puis tournez la clé en position d'arrêt, attendez 5 secondes, puis tournez la clé en position de marche.

**NOTE:** La vitesse arrière de votre scooter est plus lente que la vitesse avant que vous réglez avec le bouton de vitesse.

### POUR DESCENDRE DE VOTRE SCOOTER

1. Arrêtez votre scooter complètement.
2. Retirez la clé du contact.



**MISE EN GARDE! Ne jamais monter sur votre scooter sans d'abord retirer la clé du contact. Ceci évitera un contact accidentel avec un des leviers d'accélérateur.**

3. Débloquez le pivot du siège et faites-le tourner jusqu'à ce que vous soyez face au côté du scooter.
4. Assurez-vous que le siège est verrouillé après avoir relâché la manette.
5. Descendez prudemment et tenez-vous debout près de votre scooter.
6. Vous pouvez laisser le siège face à vous, prêt pour votre prochaine sortie.

### DISPOSITIF SAUVE ENERGIE

Votre scooter est équipé d'une fonction de minuterie d'arrêt automatique conçue pour empêcher votre scooter de bouger s'il est laissé sans surveillance. Si vous laissez par erreur la clé en position «on» mais n'utilisez pas votre scooter pendant environ 20 minutes, le contrôleur du scooter s'éteint automatiquement. Bien que le contrôleur soit arrêté, le système électrique du scooter sera toujours alimenté.

**Si le courant a été coupé par le dispositif automatique, suivez les étapes suivantes pour rétablir le fonctionnement:**

1. Retirez la clé du contact.
2. Insérez la clé dans le contact et tournez vers la position "on".

# V. REGLAGES CONFORT

## REGLAGE DE L'INCLINAISON DU GUIDON (voir la figure 18)

**MISE EN GARDE!** Retirez la clé du contact avant de changer les réglages du guidon ou ceux du siège. Ne tentez jamais de régler le siège ou le guidon lorsque le scooter est en mouvement.



**MISE EN GARDE!** Avant d'utiliser le scooter, pousser et tirer sur le guidon pour assurer que le mécanisme de réglage de l'angle est sécurisé. Inspecter le bouton de réglage du guidon et le mécanisme de réglage de l'angle pour assurer qu'ils sont pleinement engagés. S'il y a du mouvement dans le guidon, assurez-vous que le bouton de réglage de la barre est bien serré.

*NOTE:* Le siège doit avoir été retiré afin de pouvoir abaisser le guidon jusqu'au niveau du plancher du scooter. Voir la section VI. "Montage et Démontage".

## MIROIR

Pour installer le miroir (voir la figure 1, 2, 3 ou 4):

1. Déterminez de quel côté vous installerez le miroir et retirez le bouchon sur la poignée du guidon.
2. Insérez la partie filetée du miroir et faites-le pivoter dans le sens des aiguilles d'une montre jusqu'à ce qu'il soit bien serré.
3. Au besoin, tournez l'écrou dans le sens des aiguilles d'une montre pour le bloquer en place.

Pour ajuster le miroir:

1. Prenez la position de conduite avant sur le siège.
2. Ajustez le miroir afin d'obtenir une bonne vision arrière.

## REGLAGE DU SIEGE

*NOTE:* Le réglage des sièges expliqué dans cette section dépend du type de siège sur votre scooter. Veuillez-vous référer au Tableau des Caractéristiques du Scooter afin de déterminer les options qui s'appliquent à votre type de siège spécifique.

### Réglage en largeur des accoudoirs

Votre siège peut être équipé d'un dispositif de réglage de la largeur des accoudoirs. Les accoudoirs du siège peuvent être réglés vers l'intérieur ou vers l'extérieur.

1. Desserrez les boutons de réglage. Voir la figure 19.
2. Retirez les goupilles.
3. Glissez les accoudoirs vers la largeur désirée.
4. Alignez les orifices dans le support et la structure pour insérer les goupilles.
5. Resserrez les boutons de réglage.

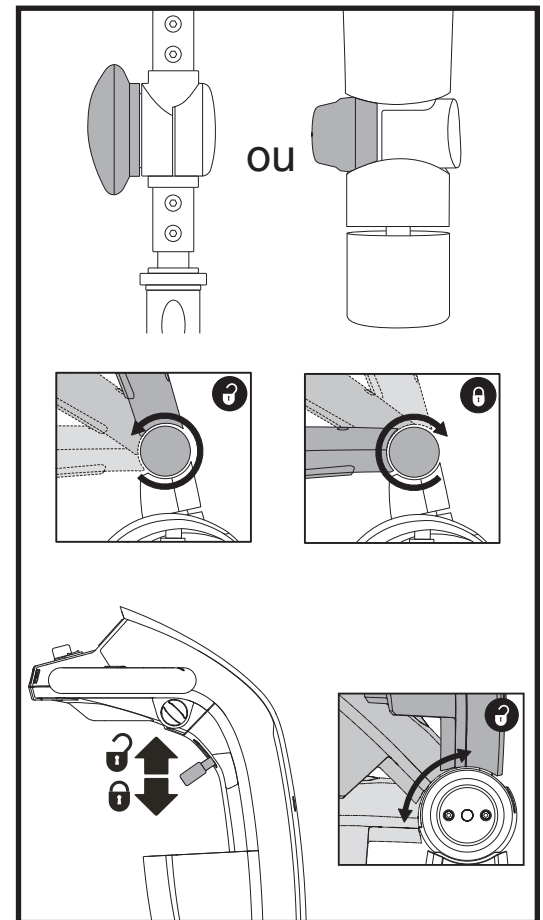


Figure 18. Réglage du guidon

### CLE D'IDENTIFICATION

1. BOUTON REGLAGE ACCOUDOIR
2. GOUPILLE
3. LEVIER DE ROTATION

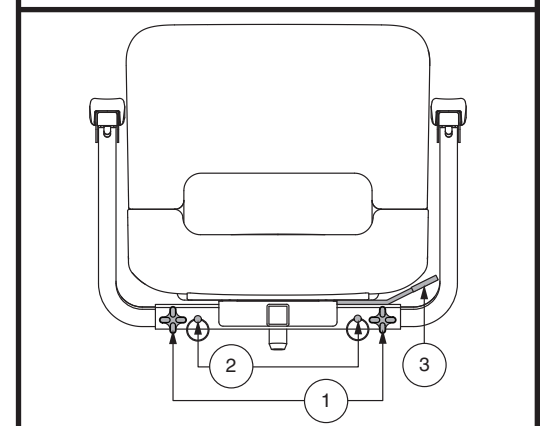


Figure 19. Réglage du siège – Style A

# V. REGLAGES CONFORT

**NOTE:** Les accoudoirs peuvent être relevés à la verticale pour faciliter les transferts.

## Rotation du siège

Le levier de rotation est situé sur le côté droit de la base du siège et le bloque dans plusieurs positions.

1. En fonction de votre type de siège, soit tirer vers le haut ou pousser vers l'avant le levier de rotation du siège afin de dégager le siège. **Voir la figure 19 ou 20.**
2. Faites-le pivoter vers la direction désirée.
3. Relâchez le levier pour le bloquer en place.

## Réglage du dossier



**MISE EN GARDE! N'utilisez pas votre scooter lorsque le dossier est en position inclinée.**

**MISE EN GARDE! Gardez votre dos en contact avec le dossier en tout temps lors de son réglage.**

Si votre scooter est équipé d'un siège à dossier inclinable, vous pouvez changer l'inclinaison du dossier avec le levier de réglage du dossier. **Voir la figure 20.**

1. Alors que votre dos est bien en contact avec le dossier, tirez sur le levier et penchez votre torse vers l'avant ou vers l'arrière pour régler l'angle du dossier.
2. Relâchez le levier dès que le dossier atteint la position de conduite désirée.

## Réglage avant/arrière du dossier

Si votre scooter est équipé d'un siège réglable, vous pouvez déplacer le siège vers l'avant ou vers l'arrière pour régler la distance entre le siège et le guidon.

1. Déplacez le levier coulissant du siège (situé sur le côté inférieur gauche du siège) vers l'extérieur. **Voir la figure 20.**
2. Tout en maintenant le levier vers l'extérieur, faites glisser le siège vers l'avant ou vers l'arrière.
3. Relâchez le levier lorsque le siège atteint la position désirée.

## Réglage de l'inclinaison des accoudoirs

Élevez ou abaissez l'inclinaison des accoudoirs en tournant la réglage sous l'accoudoir. **Voir la figure 20.**

**NOTE:** Les accoudoirs peuvent être relevés à la verticale pour faciliter les transferts.

## Support d'accessoire

Le support d'accessoire monté à l'arrière vous permet d'attacher un accessoire personnel comme un panier, support pour marchette ou réservoir d'oxygène à l'arrière de votre scooter. Utiliser la goupille de verrouillage afin de bien fixer votre article au support d'accessoire. **Voir la figure 20.** Consultez votre détaillant autorisé pour plus de détails.

### CLE D'IDENTIFICATION

1. LEVIER PIVOT DU SIEGE
2. LEVIER DE ROTATION
3. LEVIER DE GLISSIERE
4. SUPPORT D'ACCESSOIRE
5. GOUPILLE

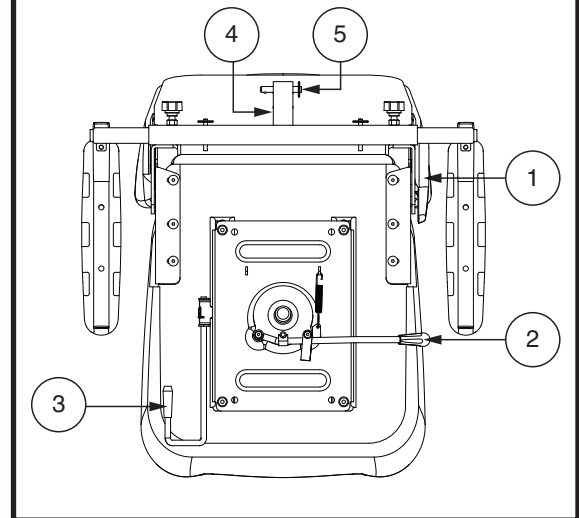


Figure 20. Réglage du siège – Style B

## V. REGLAGES CONFORT

### Réglage hauteur du siège

Le siège possède plusieurs niveaux de réglage de hauteur différents. Voir la figure 21.

1. Retirez le siège et le capot de votre scooter. Voir la section VI. "Démontage et montage".
2. Retirez le boulon de réglage de la hauteur.
3. Élevez ou descendez le siège vers le niveau désiré.
4. Tenez le siège et alignez les trous dans le mât et dans la base du mât.
5. Insérez le boulon de réglage au travers des trous du mât et de la base du mât.
6. Réinstallez l'écrou et resserrez bien.
7. Réinstallez le capot et le siège.

### Réglage hauteur du siège - Montant du siège confort (si disponible)

Pour repositionner le siège à une des deux hauteurs différentes:

1. Retirez le siège du scooter. Pousser en avant ou tirer vers le haut et maintenez le levier de rotation du siège pour dégager le siège, puis tourner le siège et retirez-le du scooter.
2. Retirez le capot arrière.
3. Pousser le capot du montant vers le haut pour découvrir la quincaillerie de montage.
4. Poussez vers le bas le montant du siège tout en desserrant et en enlevant le boulon à épaulement, la rondelle et l'écrou. Voir la figure 22.
5. Retirez le ressort de confort.
6. Pour relever le siège au trou de montage le plus haut, insérer l'entretoise de réglage de la hauteur. Pour abaisser le siège au trou de montage le plus bas, retirez l'entretoise de réglage de la hauteur.
7. Réinstallez le ressort de confort.
8. Maintenez le montant du siège à la hauteur désirée et faites correspondre les trous de positionnement du montant du siège avec ceux de la tourelle du siège. Utiliser les trous du haut pour la position supérieure ou les trous du bas de la position inférieure.

**NOTE:** Lorsque le montant du siège est en position haute, vous devez utiliser deux entretoises.

9. Poussez vers le bas le montant du siège lors de la réinstallation de la quincaillerie et du serrage 210 in • lb (24 N • m).
10. Réinstallez le capot arrière et le siège.

#### CLE D'IDENTIFICATION

1. MAT DU SIEGE
2. ECROU
3. BOULON DE REGLAGE DU MAT
4. BASE DU MAT

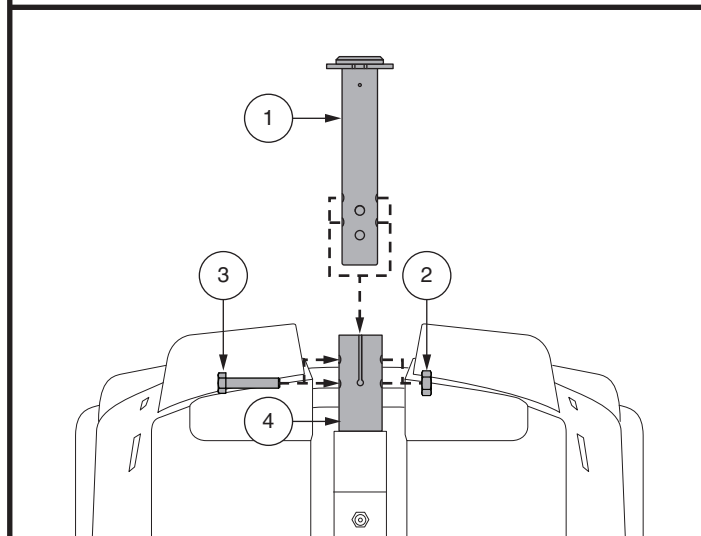


Figure 21. Réglage de la hauteur du siège

#### CLE D'IDENTIFICATION

1. CAPOT
2. MONTANT SUPERIEUR DU SIEGE
3. RESSORT  
Capacités des poids: 0-90.72 kg (0-220 lb)  
90.72-181.44 kg (220-400 lb)
4. ENTRETOISE
5. BOULON A EPAULEMENT (24 N • m [210 in • lb])
6. MONTANT INFERIEUR DU SIEGE
7. RONDELLE
8. ECROU

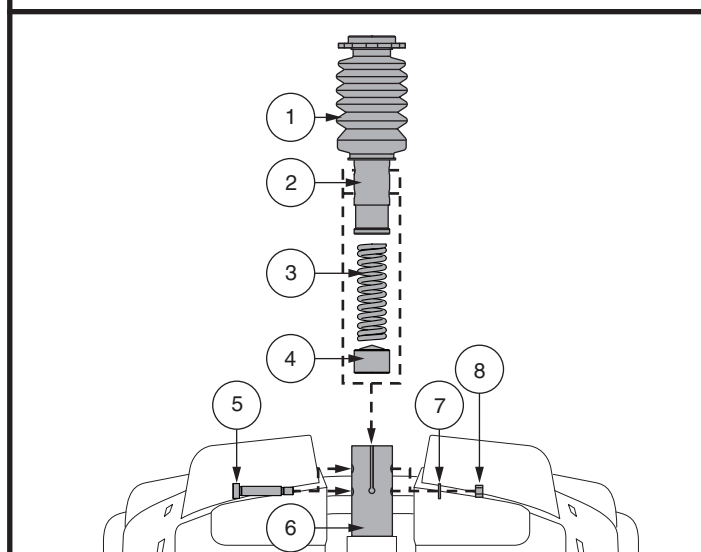


Figure 22. Réglage hauteur du siège - Montant du siège confort

## V. REGLAGES CONFORT

### Siège électrique (si disponible)

Votre scooter peut être équipé d'un siège électrique facultatif. Le siège électrique est conçu pour élever ou descendre le niveau du siège automatiquement et sans effort. Le commutateur du siège électrique est situé sur la console du guidon.

**MISE EN GARDE! Le siège électrique a été conçu pour être utilisé seulement lorsque votre scooter est à l'arrêt complet sur une surface horizontale sans inclinaison (à niveau) dans le but d'atteindre des objets. Lorsque vous vous déplacez avec votre scooter, le siège électrique doit être entièrement abaissé à son niveau le plus bas. Rouler avec votre scooter alors que le siège électrique est élevé peut entraîner de l'instabilité et causer un renversement.**



**Il est vital pour votre sécurité de respecter à la lettre les consignes suivantes:**

- **Vous devez stopper votre scooter sur une surface à niveau pour faire fonctionner votre siège électrique.**
- **Ne pesez pas sur l'accélérateur et sur le commutateur du siège électrique simultanément.**
- **Ne roulez pas avec votre scooter lorsque le siège est élevé. Roulez seulement lorsque le siège électrique est entièrement abaissé à son niveau le plus bas.**
- **Ne passez jamais au point mort (neutre) lorsque le siège électrique est élevé.**
- **Soyez extrêmement prudent lorsque vous tentez d'atteindre un objet à partir du siège électrique en position élevée. Ne tentez pas de vous étirer afin d'atteindre un objet qui pourrait nuire à votre équilibre.**
- **Ne jamais élever ou descendre le siège lorsque le scooter est en mouvement.**

Avant de faire fonctionner le siège électrique, assurez-vous que votre scooter est à l'arrêt complet, sur une surface bien à niveau et que le bouton de vitesse est réglé au plus lent.

#### Pour le fonctionnement du siège électrique:

1. Pesez et tenez la partie supérieure du commutateur du siège électrique (**voir figure 1**) pour élever le siège. Relâchez le commutateur lorsque vous avez atteint la hauteur désirée ou lorsque le siège est à son niveau le plus haut.
2. Pesez et tenez la partie inférieure du commutateur du siège électrique pour abaisser le siège. Relâchez le commutateur lorsque vous avez atteint la hauteur désirée ou lorsque le siège est à son niveau le plus bas.

**NOTE: Le scooter doit être à l'arrêt complet pour que le siège électrique puisse fonctionner. Si vous pesez sur le commutateur du siège électrique alors que le scooter est en mouvement, celui-ci ralentira et stoppera complètement. De plus, il se peut que le scooter signale un code de problème. Dans ce cas, il vous faudra couper et rétablir le contact du scooter avant de poursuivre votre route.**

Il arrive parfois que le siège électrique soit élevé pour atteindre un objet ou pour vous donner un meilleur angle de vision et que le siège ne soit pas redescendu vers son niveau le plus bas avant de rouler à nouveau avec votre scooter. En fonction du niveau d'élévation, la vitesse de fonctionnement du scooter sera réduite proportionnellement.

Lorsque le siège électrique est élevé à environ la moitié de sa course, la vitesse de votre scooter établi par le réglage du bouton sera réduite de moitié. Si le siège électrique est élevé à plus du trois quarts de sa course, le scooter ne fonctionnera pas lorsque l'accélérateur sera enfoncé. Vous devez abaisser le siège électrique vers un niveau inférieur aux trois quarts de sa course pour rétablir le fonctionnement du scooter. Le scooter ne pourra fonctionner à sa pleine vitesse que lorsque le siège sera abaissé à environ la moitié de sa course maximale.

Il est fortement recommandé de ne pas rouler avec son scooter lorsque le siège électrique est élevé.

## V. REGLAGES CONFORT

### Réglage suspension du siège (si disponible)

Vous pouvez desserrer ou serrer la suspension du siège en fonction du ressort de confort que vous installez.

#### Pour ajuster la suspension du siège:

1. Retirez le siège du scooter. Pousser en avant ou tirer vers le haut et maintenez le levier de rotation du siège pour dégager le siège, puis tourner le siège et retirez-le du scooter.
2. Retirez le capot arrière.
3. Poussez le capot du montant vers le haut pour découvrir la quincaillerie de montage.
4. Poussez vers le bas le montant du siège tout en desserrant et en enlevant le boulon à épaulement, la rondelle et l'écrou.
5. Retirez le ressort de confort.
6. Installez le ressort de confort désiré. **Voir la figure 22.**
7. Poussez vers le bas le montant du siège lors de la réinstallation de la quincaillerie et du serrage  $24 \text{ N} \cdot \text{m}$  ( $210 \text{ in} \cdot \text{lb}$ ).
8. Réinstallez le capot arrière et le siège.

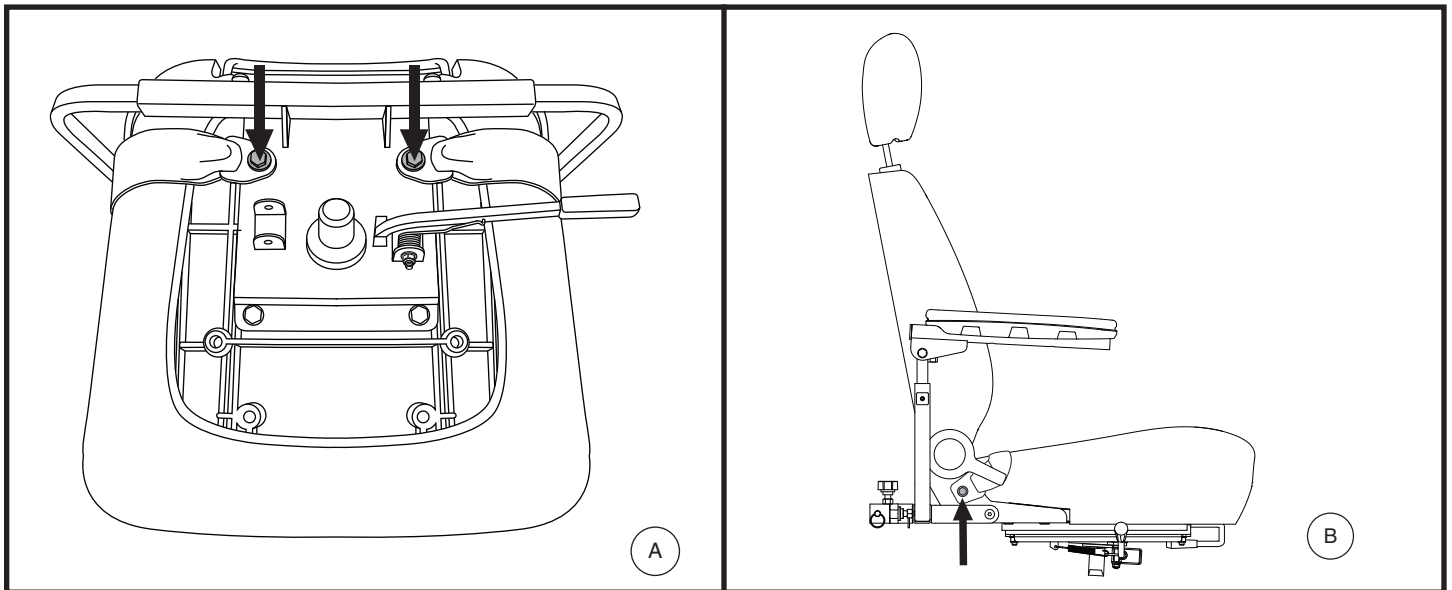


Figure 23. Boulons du ceinture de positionnement

### CEINTURE DE POSITIONNEMENT (FACULTATIF)

Votre scooter peut être équipé d'une ceinture de positionnement de type automobile réglable pour votre confort. **Voir la figure 23.** La ceinture de positionnement est conçue pour supporter et empêcher le conducteur de glisser ou d'avancer sur le siège. La ceinture de positionnement n'est pas une ceinture de sécurité.



**MISE EN GARDE! La ceinture de positionnement n'est pas conçue pour remplacer la ceinture de sécurité dans un véhicule moteur. De plus, le scooter n'est pas conçu pour être occupé lorsque celui-ci est à bord d'un véhicule routier. Toute personne à bord d'un véhicule moteur doit porter la ceinture de sécurité du véhicule approuvé par le fabricant.**

**MISE EN GARDE! La ceinture de positionnement doit être sécurisée à tout moment. Ne laissez jamais la ceinture de positionnement suspendue en l'air ou trainer sur le sol car elle peut s'emmêler.**



## V. REGLAGES CONFORT

### Pour installer la ceinture de positionnement (si requis):

1. Retirez le siège du scooter.
2. Placez le siège à l'envers pour faire face à sa base. **Voir la figure 23.**
3. Retirez les deux boulons aux extrémités de la courroie de montage du siège.
4. Insérez les boulons dans la ceinture (bout approprié) et au travers de la courroie de montage de chaque côté du siège.
5. Resserrez les boulons.

### Ceinture de positionnement de type attache en métal

#### Pour régler le confort de la ceinture de positionnement:

1. Insérez l'onglet de la ceinture côté droit dans la boucle de ceinture côté gauche jusqu'à ce que vous entendiez le "clic". **Voir la figure 24.**
2. Tirez sur la courroie du côté droit jusqu'à ce que la tension soit adéquate mais pas trop serrée.

#### Pour détacher la ceinture de positionnement:

1. Pesez sur le bouton de détente du mécanisme sur le boîtier de plastique.

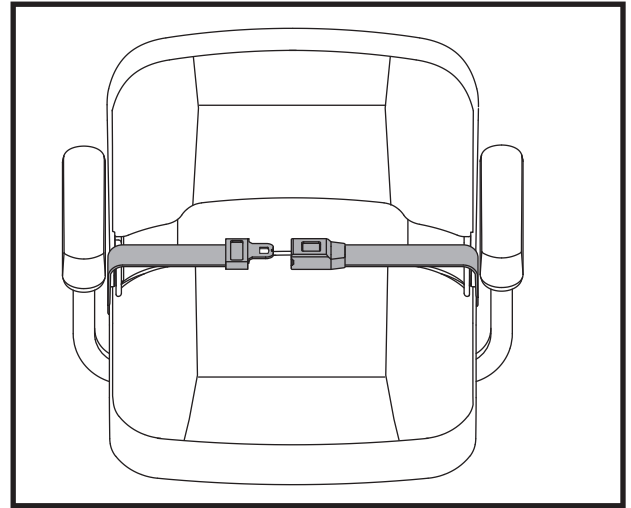


Figure 24. Ceinture de positionnement–De type attache in métal

**OBLIGATOIRE! Assurez-vous que la ceinture de positionnement soit en place et bien réglée pour votre confort.**



**OBLIGATOIRE! Avant chaque utilisation du scooter, inspectez la courroie de positionnement pour pièces détachées ou dommages, y compris les déchirures, zones usées, la quincaillerie pliée ou mécanismes de verrouillage endommagés, la saleté ou débris. Si vous découvrez un problème, contactez votre détaillant autorisé pour la réparation.**

# VI. DEMONTAGE ET MONTAGE

## DEMONTAGE

Le scooter est démontable en plusieurs sections: le siège, la section arrière, la section avant, le panier, les batteries, et la capot à batteries. **Voir la figure 25.** Aucun outil n'est requis pour assembler ou démonter le scooter cependant gardez en mémoire que les pièces démontées occuperont plus d'espace de plancher que le fauteuil complètement assemblé. Toujours procéder à l'assemblage ou au démontage de votre scooter sur une surface sèche et à niveau. Assurez-vous d'avoir environ 1.5 mètre (cinq pieds) de dégagement dans toutes les directions. Gardez en mémoire que certaines composantes du scooter sont lourdes et qu'il vous faudra possiblement de l'aide pour les manipuler.



**MISE EN GARDE! Ne tentez pas de soulever plus que vous ne le pouvez. Demandez de l'aide au besoin pour l'assemblage ou le démontage de votre scooter.**

**MISE EN GARDE! Ne soulevez pas le siège ou scooter par les accoudoirs. Ils peuvent pivoter et vous faire perdre le contrôle.**

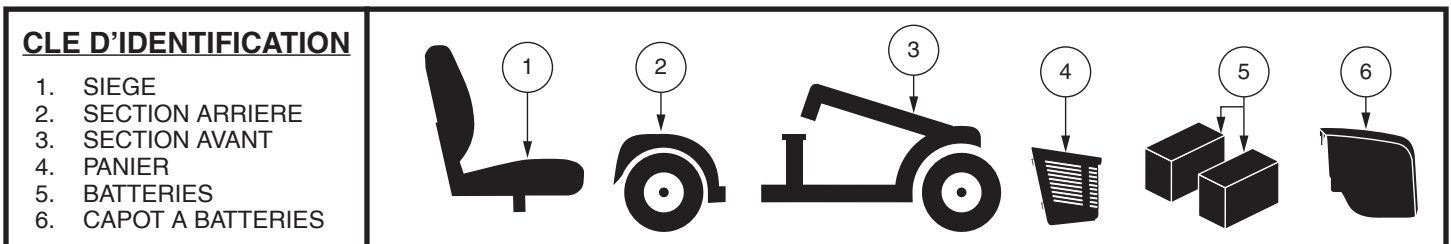


Figure 25. Démontage du Scooter

## LES PROCÉDURES DE DÉMONTAGE

1. Retirez la clé du contact. Pour les modèle 104, pour bloquer le guidon en ligne droite, pesez sur le bouton et tournez-le 90° dans le sens des aiguilles d'une montre. **Voir la figure 26.** La roue avant doit faire face à l'avant afin de pouvoir bloquer le guidon.
2. Retirez le siège en le soulevant bien droit à la verticale. Si le siège résiste et ne s'enlève pas facilement, pesez sur le levier de pivot du siège pour le bouger de gauche à droite afin de soulever et le retirer le siège.
3. Tirez doucement vers l'avant sur le protecteur de la batterie, puis le soulever hors du scooter. **Voir la figure 13.**
4. Détachez les courroies d'ancrage des batteries. **Voir la figure 14.**
5. Débrancher les deux faisceaux de la batterie en appuyant sur les languettes et puis en tirant chaque faisceau tout droit vers le haut. **Voir la figure 14.**
6. Retirez les batteries des puits à batteries.



**MISE EN GARDE! Débranchez les deux batteries avant de séparer les sections avant et arrière sous peine d'endommager votre scooter.**

7. Pour le modèle 104 et 710ZT, vous devrez peut-être également déconnecter les deux faisceaux de câbles moteur / avant-arrière. **Voir la figure 14.**



**MISE EN GARDE! Débranchez les deux avant/arrière câbles avant de séparer les sections avant et arrière sous peine d'endommager votre scooter.**

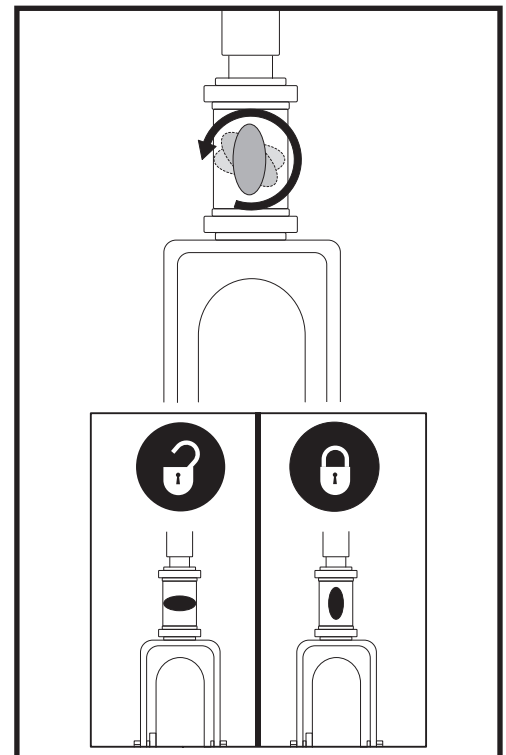


Figure 22. Bouton de verrouillage du guidon (Seulement le Modèle 104)

**NOTE:** Veuillez vérifier la table des caractéristiques du scooter sur la page 44 afin de si votre scooter dispose d'un levier de blocage ou d'une goupille de verrouillage en place avant de tenter de séparer le châssis.

# VI. DEMONTAGE ET MONTAGE

## DEMONTAGE DU CHASSIS

1. Alignez la(les) roue(s) avant bien droite dans l'axe du scooter.
2. Avec le siège et la batterie retirés (voir les procédures de démontage sur la page précédente), abaissez le guidon et serrez le bouton de réglage. **Voir la figure 18 ou 26.**

**NOTE:** Le guidon est équipé d'un dispositif qui l'empêche de tourner lorsque celui-ci est en position complètement abaissée et bloquée.

3. Retirez la goupille de verrouillage du châssis (pour le modèle 104). **Voir la figure 27.**
4. Tirez sur le levier de blocage du châssis, (**OU, tirez le mât du siège pour le modèle 104**) faites pivoter la section arrière vers l'arrière jusqu'à ce que les crochets se dégagent de la tubulure du châssis inférieur.
5. Séparez doucement les sections du scooter.

## MONTAGE

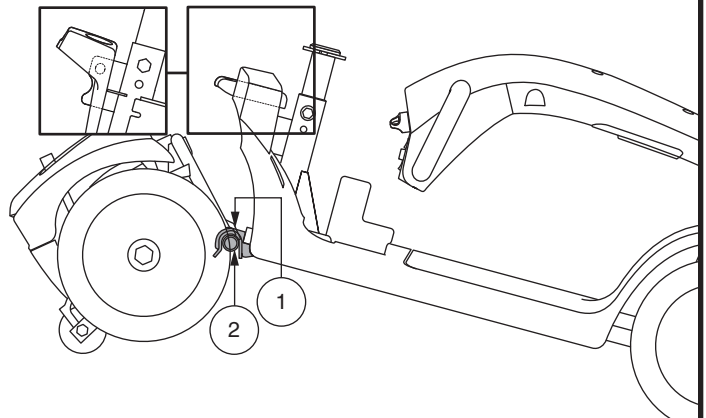
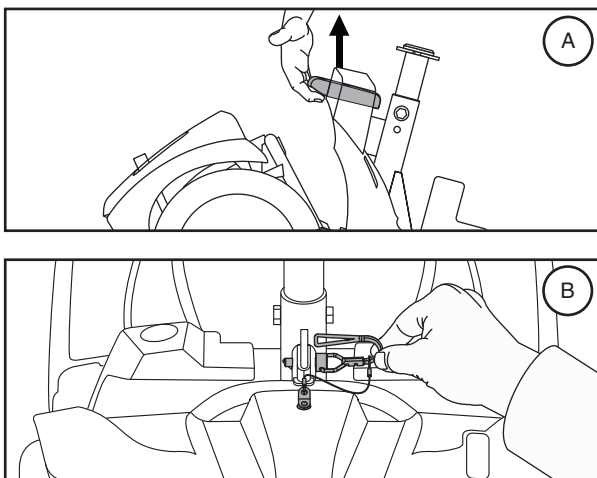
1. Positionnez les sections. **Voir la figure 27.**
2. Soulevez la section avant par le levier de blocage (ou le mât du siège sur le modèle 104) et alignez les crochets avec la tubulure de la section arrière. **Voir la figure 27.**
3. Une fois que les crochets du châssis sont sur le tube inférieur du châssis, abaissez la section inférieure avant et faites pivoter la section arrière simultanément. Ceci engagera le verrouillage du châssis automatiquement pour tout le modèle sauf 104. *Pour le modèle 104*, vous aurez besoin de réinstaller la goupille de verrouillage du châssis pour terminer l'assemblage du corps.
4. Remontez complètement le guidon en position et resserrez le bouton de blocage.
5. Réinstallez les batteries dans les puits à batteries.
6. Connectez correctement tous les faisceaux de la batterie. **Voir la figure 14.**
7. Ancrez les batteries avec leurs courroies. *Pour le modèles 104 et 710ZT*, assurez-vous de rebrancher la batterie et les câbles avant et arrière de la batterie.
8. Réinstallez le capot à batteries.
9. Réinstallez le siège et faites le pivoter pour le bloquer en place.



**MISE EN GARDE!** Toujours vérifier que le guidon est déverrouillé avant de monter sur votre scooter.

### CLE D'IDENTIFICATION

1. CROCHET
2. TUBULURE DU CADRE INFERIEUR



**Figure 27.** Levier de blocage du cadre (Style A) et libérez la goupille de verrouillage de blocage du châssis (Style B)

# VII. PROBLEMES ET SOLUTIONS

Tout appareil électronique nécessite un entretien régulier. Souvent, lorsque des problèmes surviennent, le gros bon sens règle la plupart d'entre eux. De plus, plusieurs problèmes sont causés par des batteries défectueuses ou insuffisamment chargées.

## CODES DIAGNOSTIQUES

Ce type de diagnostic est prévu pour vous aider à identifier les problèmes possibles avec votre scooter. Ce codes diagnostiques se produira dans l'éventualité ou une des situations décrites ci-dessous se manifeste. Selon le modèle que vous possédez, votre scooter communiquera à l'aide des méthodes de codage suivantes:

1. Un codes diagnostiques commence par une série de bips et / ou flashes représentant le code actuel. Le code est émis une fois seulement. Pour répéter le code, retirez la clé et réinsérez-la et et tournez vers la position "on", **OU**
2. Un codes diagnostiques permettra d'identifier la condition, en pause, puis le code sonore se répétera. Le code continuera à vous alerter de cette manière jusqu'à ce que le scooter soit éteint.

**NOTE: Votre scooter ne fonctionnera pas tant que la condition qui crée ce code n'est pas résolue et que votre scooter a été éteint puis rallumé.**

CODES	PROBLEMES	SOLUTION
■ (1)	Batteries faibles.	Rechargez les batteries dès que possible.
■ ■ (2)	Batteries trop faibles.	Rechargez les batteries.
■ ■ ■ (3)	Voltage trop élevé pour le fonctionnement ou le chargeur est encore branché au réceptacle.	Débranchez le chargeur, coupez le contact et rétablissez-le.
■ ■ ■ ■ (4)	Coupe-circuit automatique engagé.	Coupez le contact pendant quelques minutes puis, rétablissez-le.
■ ■ ■ ■ ■ (5)	Le levier d'embrayage est en position débrayé.	Coupez le contact (retirez la clé) poussez le levier d'embrayage (embrayé) et remettez le contact.
■ ■ ■ ■ ■ ■ (6)	Levier d'accélérateur n'est pas en position centrée lorsque lors de l'allumage.	Vérifiez si les batteries sont chargées complètement. Si elles le sont, alors replacez le levier au centre, coupez le contact et rétablissez-le.
■ ■ ■ ■ ■ ■ ■ (7)	Potentiomètre de vitesse en panne.	Contactez votre détaillant autorisé pour obtenir de l'aide.
■ ■ ■ ■ ■ ■ ■ ■ (8)	Moteur en panne.	Contactez votre détaillant autorisé pour obtenir de l'aide.
■ ■ ■ ■ ■ ■ ■ ■ ■ (9)	Autres problèmes internes.	Contactez votre détaillant autorisé pour obtenir de l'aide.

Figure 24. Modèles avec tableau de bord

## VII. PROBLEMES ET SOLUTIONS

### **Que faire si le scooter semble complètement “mort?”**

- Assurez-vous que la clé de contact est bien insérée à fond.
- Vérifiez que les batteries soient pleinement chargées.
- Pesez sur le bouton du disjoncteur principal. Voir la section II. “Votre Scooter”.
- Assurez-vous que les câbles avant et arrière sont bien branchés.
- Assurez-vous que le dispositif sauve energie n’est pas activé. Voir la section IV. “Fonctionnement”.

### **Que faire si le scooter refuse de bouger lorsque j’appuis sur les accélérateurs?**

- Lorsque le levier d’embrayage est en position poussée vers l’avant, les freins sont relâchés et le courant est complètement coupé.
- Poussez le levier d’embrayage vers l’arrière, coupez le contact du fauteuil puis remettez le contact pour rétablir le fonctionnement normal.

### **Que faire si le disjoncteur saute à répétition?**

- Si le disjoncteur principal saute continuellement, contactez votre détaillant autorisé.
- Rechargez vos batteries plus souvent. Voir la section III. “Batteries et recharge”.
- Voyez la section III. “Batteries et recharge” ou la section “Spécifications de Produit” pour les informations concernant les batteries de votre scooter.

### **Que faire si l’aiguille de la jauge à batteries plonge et que le moteur hésite lorsque j’appuis sur l’accélérateur de mon scooter?**

- Rechargez complètement vos batteries. Voir la section III. “Batteries et recharge”.

Si vous rencontrez des problèmes que vous n’arrivez pas à résoudre vous-même, contactez votre détaillant autorisé pour obtenir des informations ou du service.

## VIII. SOINS ET ENTRETIEN

Votre scooter demande un minimum de soins. Si vous croyez ne pas posséder les connaissances et habiletés pour exécuter les consignes suivantes, vous pouvez les faire exécuter par votre détaillant autorisé. Les points suivants demandent un entretien périodique.

### VERIFICATION DE SECURITE DES PNEUS SOLIDES

Inspectez régulièrement les pneus pour détecter les signes du dommage ou d'usure.

### REPLACEMENT D'UNE ROUE – PNEUS PLEINS

Si votre scooter est équipé de pneus à âme pleine, et vous avez un pneu endommagé ou usé, la roue entière doit être remplacée. Contactez votre détaillant autorisé pour de plus amples informations au sujet des pneus de remplacement pour votre scooter.



**MISE EN GARDE! Seulement votre détaillant autorisé ou un technicien spécialisé doit réparer les roues de votre scooter.**

**MISE EN GARDE! Assurez-vous que la clé est retirée de l'interrupteur à clé et le scooter n'est pas en mode roue libre avant d'effectuer cette réparation procédure.**

Procédez selon les étapes suivants pour réparer les pneus à âme pleine en toute sécurité:

1. Enlevez la clé du contact.
2. Élevez le côté du scooter sur lequel vous désirez enlever le pneu. Placez des cales de bois sous la structure du scooter pour l'élever.
3. Enlever le bouchon de roue, l'écrou et la rondelle de roue motrice sur l'essieu. **Voir la figure 29.**
4. Retirez la roue motrice de son essieu.
5. Glisser la nouvelle roue en place. Assurez-vous que la clef est bien ancrée dans la rayure de clef.



**MISE EN GARDE! Assurez-vous que la clé de l'essieu soit correctement installée dans la fente de l'essieu lors du montage de la roue. Si elle n'est pas installée en toute sécurité, les freins sont relâchés qui peut provoquer cela pourrait causer des blessures et/ou dommages au produit.**

6. Réinstallez la rondelle et l'écrou sur l'essieu et serrez bien.



**MISE EN GARDE! Assurez-vous de bien réinstaller la rondelle et l'écrou avant de serrer correctement.**

7. Réinstallez la bouchon de roue.
8. Retirez les cales sous le scooter.

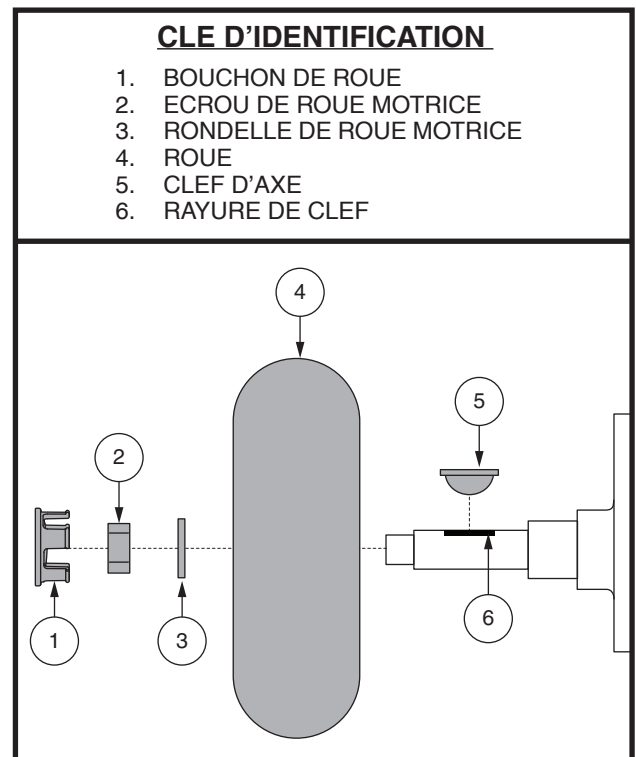


Figure 29. Enlèvement de la roue motrice

## VIII. SOINS ET ENTRETIEN

### PRESSION DES PNEUS – PNEUS GONFLABLES

- Si votre scooter est équipé de pneus gonflables, maintenez en tout temps la pression d'air psi/bar/kPa indiquée dans chaque pneu.



**MISE EN GARDE!** Il est extrêmement important de maintenir en tout temps la pression d'air indiquée en psi/bar/kPa sur chaque pneu. Ne pas surgonfler ou sousgonfler les pneus sous peine de provoquer une perte de contrôle ou l'éclatement du pneu. Un pneu qui n'est pas gonflé en tout temps selon la pression psi/bar/kpa indiquée sur son flanc peut s'endommager ou endommager la jante de roue.

- Inspectez régulièrement les pneus pour détecter les signes d'usure.

### REPLACEMENT D'UNE ROUE – PNEUS GONFLABLES

Si votre scooter est équipé de pneumatiques et que vous avez une crevaison, le tube peut-être remplacé. Contactez votre détaillant autorisé pour de plus amples informations au sujet des pneus de remplacement pour votre scooter.

**MISE EN GARDE!** Seulement votre un technicien spécialisé doit réparer les roues de votre scooter.



**MISE EN GARDE!** Assurez-vous de retirer la clé du contact et de vérifier que le scooter est bien embrayé avant de faire cette procédure.

**MISE EN GARDE!** Lors du remplacement d'un pneu, retirez uniquement l'écrou de la roue motrice et la rondelle, puis retirez l'ensemble de la roue. Si un démontage supplémentaire est nécessaire, dégonflez complètement le pneu ou il risque d'exploser.

Procédez selon les étapes suivantes pour réparer les pneus à âme pleine et gonflables en toute sécurité:

1. Enlevez la clé du contact et assurez-vous que le scooter n'est pas en mode roue libre.
2. Élevez le côté du scooter sur lequel vous désirez enlever le pneu. Placez des cales de bois sous la structure du scooter pour l'élever.
3. Si vous remplacez le tube, dégonflez le pneu complètement avant de le retirer de l'axe.
4. Retirez les écrous de la roue motrice de la moyeu. **Voir la figure 29.**
5. Retirez la roue motrice de son essieu.
6. Retirez les vis et séparer les moitiés de la jante. **Voir la figure 30.**
7. Retirez le vieux tube du pneu et le remplacer par un nouveau tube. **Voir la figure 30.**
8. Remontez les moitiés de la jante.
9. Glissez la nouvelle roue en place. Assurez-vous que la clef est bien ancrée dans la rayure de clef. **Voir la figure 30.**



**MISE EN GARDE!** Assurez-vous que la clé de l'essieu soit correctement installée dans la fente de l'essieu lors du montage de la roue. Si elle n'est pas installée en toute sécurité, les freins sont relâchés qui peut provoquer cela pourrait causer des blessures et/ou dommages au produit.

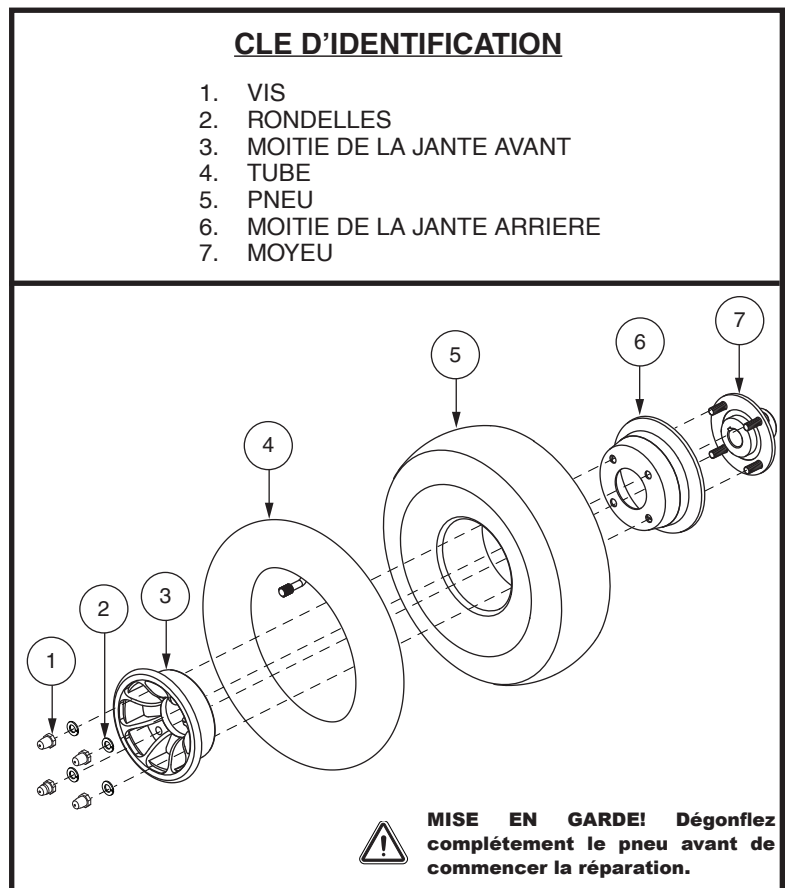


Figure 30. Roue pneumatique motrice démontée/montée

## VIII. SOINS ET ENTRETIEN

10. Réinstallez les écrous sur l'essieu et serrez bien.



**MISE EN GARDE! Assurez-vous de bien réinstaller la rondelle et l'écrou avant de serrer correctement.**

11. Gonflez les pneus à la pression en psi/bar/kPa indiquée dans chaque pneu.

12. Retirez les cales sous le scooter.

### SURFACES EXTERNES

Les pare-chocs et garnitures peuvent bénéficier d'une couche occasionnelle de protecteur à caoutchouc.



**MISE EN GARDE! Ne jamais appliquer de protecteur à caoutchouc sur la bande de roulement des pneus ou sur le siège de vinyle au risque de les rendre très glissants.**

### NETTOYAGE ET DESINFECTION

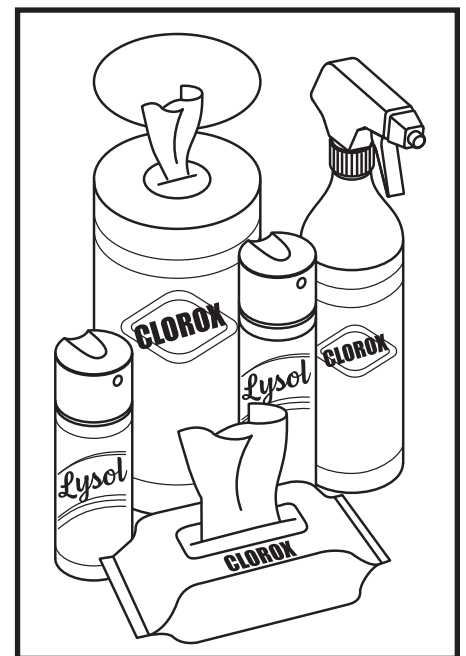
Des précautions doivent être prises lors du nettoyage des équipements/dispositifs pour réduire le risque de propagation de l'infection. Il s'agit de limiter la propagation de la maladie et d'autres matériels potentiellement infectieux (OPIM) (composants sanguins).

- Utilisez un linge humide sans agent abrasif pour nettoyer les surfaces de métal ou de plastique de votre scooter. Évitez les produits abrasifs qui abîmeront les surfaces de votre scooter.
- Au besoin, utiliser un produit désinfectant. Assurez-vous que le produit n'est pas dangereux avant de l'utiliser.

### COMMENT NETTOYER/DÉSINFECTER L'ÉQUIPEMENT:

**SURFACES DURES/MOLLES** (enveloppes en plastique, charpente métallique, tissu de siège, pneus, accoudoirs et repose-pieds, le cas échéant)

- Pour les surfaces dures/molles, éliminez la contamination visible si elle est présente.
  - Pour le plastique et le métal, utilisez le spray/lingettes désinfectantes Lysol®/Clorox® et d'autres produits désinfectants SARS-CoV-2 qualifiés.
  - Pour les autres surfaces en vinyle, nettoyez avec des lingettes désinfectantes sans danger pour le vinyle ou solutions.
    - Désinfectants suggérés
      - Désinfectant Birex® SE, Bleach-Rite® Spray désinfectant, Citrace® Germicide
      - Dispatch® Spray Hospital Cleaner Désinfectant avec Eau de Javel
      - Solution d'eau de Javel diluée (dilution à 10% ou moins); Remarque : un agent de blanchiment avec un facteur de pH compris entre 7 et 9 convient ; un produit avec un pH de 10,5 ou plus peut endommager l'intégrité de la surface du vinyle sur une longue période de temps.
    - Lingettes désinfectantes
      - Clorox, Green Works, Lingettes PDI Sani-Cloth HB Lysol, Oxivir, Virox et CaviWipes.
  - Pour le nettoyage des pneus, nettoyez avec des nettoyeurs pour pneus/roues du commerce





## VIII. SOINS ET ENTRETIEN

**ÉLECTRONIQUE** (contrôleur joystick, écrans améliorés, écrans tactiles, télécommandes, claviers, téléphones portables et tablettes, le cas échéant)

- Pour l'électronique, éliminez la contamination visible si elle est présente.
  - Désactivez le périphérique et déconnectez les piles. .
  - Ne vaporisez jamais de liquides directement dans le(s) produit(s).
  - Humidifiez un chiffon en microfibre avec un mélange d'alcool isopropylique à 70 % / solution d'eau à 30 %. Le tissu doit être humide, mais pas dégoulinant ou excessivement mouillé. Séchez soigneusement les surfaces pour éviter les accumulations de liquides et avant la boxeg.

**MISE EN GARDE! Suivez toutes les consignes de sécurité pour une utilisation appropriée du désinfectant et/ou de l'agent de nettoyage avant de l'appliquer sur votre produit. Le non-respect de cette consigne peut entraîner une irritation de la peau ou une détérioration prématurée du revêtement et/ou des finitions du scooter.**

**MISE EN GARDE! N'utilisez jamais d'agent de nettoyage ou de désinfection, de solvant, de lubrifiant ou tout autre produit sur les plaquettes de frein, les disques de frein, la boîte-pont, le moteur/la boîte de vitesses de votre produit de mobilité. Cela pourrait endommager les composants et/ou les empêcher de fonctionner correctement. Des dommages matériels et/ou corporels peuvent en résulter.**



**MISE EN GARDE! N'arrosez jamais votre scooter au jet d'eau et ne le placez jamais en contact direct avec de l'eau. Votre scooter a un carénage en plastique ABS peint qui lui permet d'être facilement nettoyé avec un chiffon humide.**

**MISE EN GARDE! N'utilisez jamais de produits chimiques pour nettoyer un siège en vinyle, car ils pourraient rendre le siège glissant ou se dessécher et se fissurer. Utilisez de l'eau savonneuse et séchez soigneusement le siège.**

### CONNECTIONS DES BORNES DE BATTERIES

- Assurez-vous que les branchements sont bien serrés et libres de corrosion.
- Les batteries doivent être bien à plat au fond des puits.
- Les bornes de la batterie doivent être orientées dans le bon sens, conformément au schéma de câblage de la batterie.

### CABLAGES ELECTRIQUES

- Vérifiez régulièrement l'état de la gaine du câble avant/arrière.
- Inspectez régulièrement la gaine protectrice de fils et câbles incluant le cordon du chargeur à batteries.
- Faites réparer tous les câbles ou les fils endommagés par votre détaillant autorisé avant d'utiliser votre scooter.



**INTERDIT! Même si votre scooter a réussi un test de résistance à l'humidité, éloignez-le des sources d'humidité ou de liquide tel que l'eau de lavage et l'incontinence. Inspectez régulièrement les composants pour déceler la corrosion.**



**MISE EN GARDE! Ne tirez pas directement sur les câbles pour les détacher du scooter. Il faut toujours prendre le connecteur pour détacher le câble afin d'éviter les dommages.**

### ENTRETIEN QUOTIDIEN

- Coupez le contact avant de vérifier l'accélérateur. Assurez-vous que le mât de l'accélérateur n'est pas tordu et qu'il revient bien à la verticale lorsque vous le relâchez. Ne tentez pas de les réparer, contactez plutôt votre détaillant autorisé.
- Inspectez visuellement le câble du module. Si vous découvrez des coupures ou des fils exposés, contactez votre détaillant autorisé.
- Vérifiez les déformations sur les pneus à âme pleine. Ils peuvent affecter la stabilité du fauteuil motorisé.
- Inspectez les fixations d'accoudoirs pour déceler du jeu excessif, des dommages ou des signes de stress. Voyez votre détaillant autorisé si vous trouvez un problème.
- Vérifiez les freins. Ce test doit être exécuté sur une surface à niveau et avec au moins un mètre de dégagement autour de votre fauteuil motorisé.

# VIII. SOINS ET ENTRETIEN

## Pour vérifier les freins:

1. Mettez le contact et réglez le bouton de vitesse au plus lent.
2. Attendez une seconde et vérifiez l'état des batteries. La tension doit se maintenir.
3. Tirer doucement sur la accélérateur jusqu'à ce que vous entendiez les freins électriques se relâcher. Relâchez immédiatement la accélérateur. Vous devez entendre le déclic presque immédiatement à chaque fois que vous poussez la manette. Répétez ce test trois en tirant sur la accélérateur dans les directions opposées.

## VERIFICATIONS HEBDOMADAIRES

- Débranchez le contrôleur du module d'alimentation pour l'inspecter. Vérifiez qu'il n'y a pas de traces de corrosion. Contactez votre détaillant autorisé au besoin.
- Vérifiez la pression des pneus, si équipé de pneus. Elle doit être à la pression en psi/bar/kPa indiquée dans chaque pneu. Si un pneu fuit, voyez votre détaillant autorisé pour obtenir un tube de rechange.

## VERIFICATIONS MENSUELLES

- Vérifiez les roulettes antibasculer, elles ne doivent pas toucher le sol lorsque vous avancez. Réglez les roulettes au besoin. Voir la section V. "Réglages confort."
- Vérifiez l'usure des roulettes. Remplacez-les au besoin.
- Vérifiez l'usure des pneus. Voyez votre détaillant autorisé pour les remplacer.
- Gardez votre scooter bien propre, enlevez la boue, les cheveux, la nourriture, etc.

## VERIFICATIONS ANNUELLES

Apportez votre scooter chez votre détaillant autorisé au moins une fois par année pour une inspection, surtout si vous utilisez votre scooter régulièrement. Vous serez ainsi assuré qu'il fonctionne correctement et vous préviendrez des complications futures.

## CAPOTS

Si votre scooter dispose d'un carénage avec une  **finition brillante** , le carénage a été pulvérisé avec un revêtement d'étanchéité transparent. Vous pouvez appliquer une légère couche de cire de voiture pour l'aider à conserver son aspect brillant. Si votre scooter dispose d'un carénage avec une  **finition mate** , utilisez  **UNIQUEMENT**  les produits développés pour la peinture mate. N'utilisez pas de cire, d'aérosol de nettoyage, ArmorAll® ou tout autre produit fabriqué pour des peintures brillantes.



**MISE EN GARDE!**  Choisissez avec précaution le produit approprié pour protéger la finition du ou des carénages de votre scooter. Seuls les produits développés pour la peinture mate doivent être utilisés sur des carénages avec une finition mate. Le non-respect de cette mise en garde peut endommager le fini de peinture mate du carénage.

## ROULEMENTS A BILLE ET MODULE MOTEUR/TRANSMISSION

Ces pièces sont scellées à l'usine et ne requièrent aucune lubrification.

## BROSSES DU MOTEUR

Celles-ci sont à l'intérieur du module moteur/transmission. Faites-les inspecter par votre détaillant autorisé périodiquement.

## CONSOLE, CHARGEUR ET MODULE DE COMMANDES ELECTRONIQUES

- Protégez-les de l'humidité.
- Si une de ces composantes venait à être exposée à de l'humidité, laissez sécher votre scooter complètement avant de l'utiliser à nouveau.

## VIII. SOINS ET ENTRETIEN

### REPLACEMENT D'UN FUSIBLE

**Dans l'éventualité où un fusible venait à brûler:**

1. Retirez le fusible de sa fente en tirant dessus.
2. Examinez-le pour vérifier s'il est brûlé. **Voir la figure 31.**
3. Insérez un nouveau fusible de résistance adéquate.



**MISE EN GARDE! Le nouveau fusible doit être identique à celui que vous devez remplacer sous peine d'endommager le système électrique.**

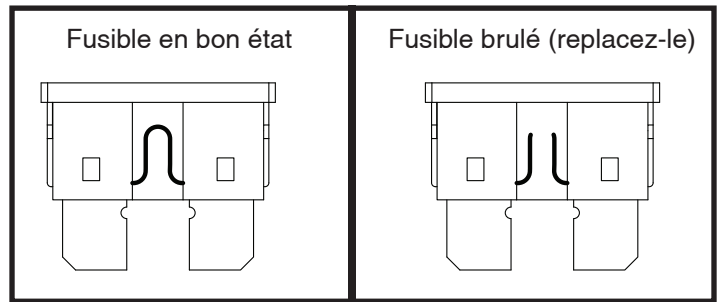


Figure 31. Le remplacement des fusibles

### REPLACEMENT D'ECROU AUTOFREINE EN NYLON

Tout écrou autofreiné en nylon retiré pendant l'entretien périodique, la réparation, le montage ou démontage du scooter doit être remplacé par un neuf. Les écrous de nylon ne doivent pas être réutilisés car ceux-ci peuvent se desserrer et entraîner un danger. Des écrous de remplacement en nylon sont disponibles dans les quincailleries ou chez votre détaillant autorisé.

### ENTREPOSAGE DE VOTRE SCOOTER

Si vous pensez ne pas utiliser votre scooter pour une période prolongée:

- Rechargez les batteries complètement avant d'entreposer votre scooter.
- Débranchez les batteries du scooter.
- Entreposez votre scooter dans un endroit sec à l'abri du gel.
- Évitez d'entreposer votre scooter dans un endroit exposé à des températures extrêmes.
- Bien que votre scooter puisse supporter des températures de stockage à court terme entre  $-40^{\circ}\text{C}$  ( $-40^{\circ}\text{F}$ ) et  $65^{\circ}\text{C}$  ( $149^{\circ}\text{F}$ ), il est recommandé que les températures de stockage à long terme se situent entre  $-25^{\circ}\text{C}$  ( $-13^{\circ}\text{F}$ ) et  $50^{\circ}\text{C}$  ( $122^{\circ}\text{F}$ ). Les conditions de stockage idéales sont de  $20^{\circ}\text{C}$  ( $68^{\circ}\text{F}$ ) à  $21^{\circ}\text{C}$  ( $70^{\circ}\text{F}$ ) dans la mesure du possible, mais nous savons que ce n'est pas toujours possible en raison des différents climats et environnements.



**MISE EN GARDE! Si les batteries de votre scooter venaient à geler, ne tentez pas de les recharger. Une batterie gelée doit être laissée dans un endroit tempéré plusieurs jours avant d'être rechargée.**

Des batteries qui sont souvent déchargées trop profondément, rechargées de manière infrequente, entreposées sous des températures extrêmes ou insuffisamment chargées peuvent être endommagées de façon permanente. Ces batteries auront de piètres performances et durent moins longtemps. Il recommande de recharger les batteries de votre scooter de façon périodique pendant l'entreposage prolongé afin de protéger leurs performances futures.

Afin de protéger les pneus pendant l'entreposage, placez des cales de bois sous le scooter de manière à ce que les pneus ne soient pas en contact avec le sol. Ceci évitera la déformation de la semelle.

### COMMENT DISPOSER DE VOTRE SCOOTER

Vous devez disposer de votre scooter en respectant les règlements en vigueur dans votre localité. Contactez votre centre de recyclage ou votre détaillant autorisé pour les informations pour la mise au rebut de l'emballage, des composantes métalliques, plastiques, électroniques, batteries, néoprène, silicone, et les matériaux de polyuréthane.



**MISE EN GARDE! Les sacs en plastique présentent un risque de suffocation. Jeter les sacs en plastique correctement et ne pas permettre aux enfants de jouer avec eux.**

# NOTES



MONTAJE



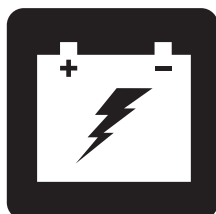
FUNCIONAMIENTO



CONFORT



MANTENIMIENTO



BATERÍAS Y SU CARGA



# MID-SIZE SCOOTER SERIE

## MANUAL DE USUARIO

---

# CUADRO DE CARACTERÍSTICAS GENERALES

Modelo	Consola Del Manillar				Bloqueo de la Estructura		Iluminación (Opcional)			Opciones de Diseño de Asiento		Opciones*		
	A	B	C	D	A (Palanca de Extracción)	B (Chavetade Bloqueo)	Faro	Luz de Charco	Paquete de Luces Completo	A (Plástico Moldeado)	B (CRS Junior)	Tija de Sillín de Suspensión	Interruptor Hi-Low	Freno de Mano
93		•				•	•			•				
104		•				•	•			•				
609	•				•		•		•	•	•			
6092	•				•		•	•	•	•	•			
709	•				•		•		•	•	•	•		
7092	•				•		•	•	•	•	•	•		
610	•				•		•		•	•	•			
6102	•				•		•	•	•	•	•			
710	•				•		•		•	•	•	•		
7102	•				•		•	•	•	•	•	•		
610DX	•				•		•		•	•	•			
710DX	•				•		•		•	•	•	•	•	
710DX2	•				•		•	•	•	•	•	•	•	
610DXW	•				•		•		•	•	•		•	
710DXW	•				•		•		•	•	•		•	•
710DXW2	•				•		•	•	•	•	•		•	•
710LX			•		•		•	•	•	•	•		•	•
710LXW			•		•		•	•	•	•	•		•	
710ZT				•	•		•	•	•	•	•			
712	•				•		•		•	•	•	•		
712DX	•				•		•		•	•	•	•	•	

\*NOTA: Las opciones del scooter pueden variar en función del país. Póngase en contacto con su proveedor para determinar las opciones disponibles para su scooter.

NOTA: Intente memorizar el número de modelo de su scooter, que podrá encontrar en la hoja de especificaciones del producto incluida en el paquete. A lo largo de este manual de usuario, las características del scooter aparecen identificadas con un número de modelo (primera columna de la izquierda del Cuadro de Características Generales). Al conocer el número de modelo de su unidad podrá determinar las características particulares y exclusivas de su scooter.

## USO INDICADO

El uso previsto de este dispositivo de Pride Mobility Products es proporcionar asistencia para la movilidad a personas con problemas de movilidad que tienen la capacidad de manejar una scooter eléctrica de movilidad motorizada.

## CON RESPECTO A LOS DISPOSITIVOS RECETADOS

**Nuestros productos están disponibles para la venta tanto al por menor (“sin receta”) como con receta médica. Cuando se prescribe, se aplica la siguiente declaración.**



**¡ATENCIÓN! La ley federal limita a este dispositivo a su venta por parte de o por orden de un médico u otro profesional certificado y que cuente con licencia de la ley del estado (sólo en los EE.UU.) o de la región en donde ejerce este profesional para usar u ordenar el uso de este dispositivo.**

NOTA: El presente manual de instrucciones recoge las últimas especificaciones e informaciones disponibles en el momento de su publicación. Nos reservamos el derecho a aportar modificaciones en caso necesario. Cualquier modificación en nuestros productos puede provocar ligeras variaciones entre las ilustraciones y explicaciones de esta guía y el producto que ha comprado. En nuestro sitio web encontrará la versión última/actual de este manual.

NOTA: Este producto cumple las directivas y normativas WEEE, RoHS y REACH.

NOTA: Este producto cumple con la clasificación IPX4 (IEC 60529).

NOTA: Ni scooter ni sus componentes están fabricados con látex de goma natural. Consulte al fabricante con respecto a cualquier accesorio o pieza de repuesto.



ACN 088 609 661



CH REP

# ÍNDICE

<b>CONSIGNAS DE SEGURIDAD</b> .....	<b>87</b>
<b>I. SEGURIDAD</b> .....	<b>88</b>
<b>II. SU SCOOTER</b> .....	<b>92</b>
<b>III. BATERÍAS Y SU CARGA</b> .....	<b>101</b>
<b>IV. FUNCIONAMIENTO</b> .....	<b>108</b>
<b>V. OPTIMIZAR EL CONFORT</b> .....	<b>110</b>
<b>VI. DESMONTAJE/MONTAJE</b> .....	<b>116</b>
<b>VII. RESOLUCIÓN DE PROBLEMAS</b> .....	<b>118</b>
<b>VIII. CUIDADO Y MANTENIMIENTO</b> .....	<b>120</b>

## CONSIGNAS DE SEGURIDAD



**¡ADVERTENCIA!** Un proveedor autorizado o un técnico cualificado deberá realizar la configuración inicial del scooter, así como cualquier otro procedimiento de este manual.

Los símbolos que se muestran a continuación son utilizados en este manual y en el scooter para identificar advertencias y avisos importantes. Asegúrese de que los ha leído y comprendido perfectamente.



**¡ADVERTENCIA!** Indica una situación o circunstancia potencialmente peligrosa. De no seguir los procedimientos indicados, podría provocar en usted o en terceros lesiones físicas, y daños o averías en el material. En el producto, este icono tiene forma de símbolo negro en un triángulo amarillo con borde negro.



**¡OBLIGATORIO!** Pasos que deben realizarse tal y como se indica. De no realizar las acciones obligatorias, podría sufrir lesiones y/o daños en el material. En el producto, este icono tiene forma de símbolo blanco sobre un círculo azul con borde blanco.



**¡PROHIBIDO!** Estas acciones están prohibidas, cualquiera que sea el tiempo o las circunstancias. La realización de acciones prohibidas puede provocar lesiones personales y/o daños en el material. En el producto, este icono tiene forma de símbolo negro con un círculo y raya rojos.

# I. SEGURIDAD

## SÍMBOLOS DE SEGURIDAD

Estos símbolos aparecen en su scooter y sirven para identificar advertencias, acciones obligatorias o prohibidas. Asegúrese de que los ha leído y comprendido perfectamente.

**NOTA:** En la *Guía de Seguridad del Usuario* suministrada con su scooter encontrará la explicación de otras advertencias de uso. Familiarícese con todas las advertencias de uso y otra información de seguridad indicadas en la *Guía de Seguridad del Usuario* y remítase regularmente a esta fuente.



Lea con atención la información del manual de usuario.



Indica los puntos de sujeción de la scooter **DESOCUPADOS**.



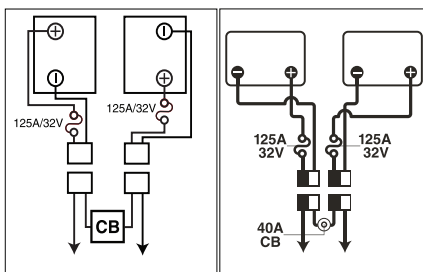
Etiqueta de información del scooter



Fabricado en



No cumple la normativa ISO 7176-19 sobre vehículos de transporte ocupados dentro de un vehículo a motor. No permanezca sentado en su scooter mientras viaja en un vehículo a motor.



**Configuración de las baterías:**

**+ = Borne o terminal positivo (Rojo)**

**- = Borne o terminal negativo (Negro)**

**Conecte los cables rojos a los bornes positivo rojos (+).**

**Conecte los cables negros a los bornes negativos negros (-).**



Antes de empezar a manejarlo, cargue completamente las baterías.

Quite la llave del scooter si no lo está utilizando.



# I. SEGURIDAD

## GENERAL



**¡OBLIGATORIO! Antes de utilizar su scooter por primera vez, lea y siga todas las instrucciones de este manual y de la Guía de Seguridad del Usuario.**

Este scooter es un dispositivo que incorpora las últimas tecnologías tendentes a aumentar su movilidad. Nos ofrecemos una amplia gama de productos ajustados a sus necesidades particulares. Recuerde que la decisión final acerca de la compra de un determinado tipo de scooter es responsabilidad exclusiva del usuario de dicho scooter, capaz de tomar tal decisión, y de su profesional sanitario (por ej. médico, terapeuta, etc.).

El contenido de este manual está supeditado a los ajustes realizados por un experto en tales dispositivos para adaptarlo al usuario, habiendo asistido al profesional sanitario prescriptor o al proveedor autorizado en lo que respecta a la asistencia para la utilización de este producto.

Existen determinadas situaciones, como algunas enfermedades, para las que será obligatoria la presencia de una persona debidamente cualificada durante el manejo del scooter. Esta persona encargada podrá ser un miembro de la familia o un asistente sanitario especialmente preparado para ayudarle en las tareas diarias que realice mientras utiliza el scooter.

Al empezar a utilizar el scooter, probablemente se encuentre con situaciones para las que necesite una mayor práctica. Tómese el tiempo necesario. Pronto sentirá una mayor confianza y control en el manejo a través de puertas, al girar en curvas o al entrar o salir de ascensores, rampas o en superficies irregulares.

El producto viene con otra información de carácter general, hojas de datos técnicos y otros folletos comerciales. Lea detenidamente y revise toda la información y guárdela en un lugar seguro para consultas futuras.

Seguidamente, se muestran algunas precauciones, trucos y otras consignas de seguridad que le ayudarán a familiarizarse con el funcionamiento de su scooter.

# I. SEGURIDAD

## INSPECCIÓN DE SEGURIDAD PREVIA

Familiarícese con su scooter y sus funciones. Recomendamos que realice una inspección previa de seguridad para confirmar que su scooter funciona de manera correcta y segura.

### Antes de utilizar el scooter, inspeccione lo siguiente:

- Verifique el estado de las ruedas. Asegúrese de que estén correctamente inflados y no dañadas ni demasiado gastadas.
- Compruebe todas las conexiones eléctricas. Asegúrese de que estén tensas y sin corrosión.
- Compruebe todas las conexiones del regulador al panel eléctrico. Asegúrese de que estén bien tensadas.
- Compruebe los frenos y asegúrese de que funcionen correctamente.
- Compruebe el indicador de nivel de batería para asegurarse de que las baterías estén totalmente cargadas.
- Compruebe que la palanca manual está en el modo conducción antes de sentarse en el scooter.

Si encuentra algún problema, póngase en contacto con su proveedor autorizado. Consulte la hoja de información de contacto suministrada con el producto.

## INFORMACIÓN ACERCA DE LOS FRENOS

Su scooter está equipado con dos potentes sistemas de frenado:

- Regenerativo: Utiliza la electricidad para ralentizar rápidamente el vehículo cuando la palanca de mando vuelve a su posición central.
- Frenos de disco de estacionamiento: Se activan mecánicamente una vez que los frenos regenerativos han reducido la velocidad del vehículo, o cuando falta la alimentación del sistema, cualquiera que sea el motivo.
- (Opcional) Freno de mano: Utilice esta palanca para detener el scooter en situaciones de emergencia. Consulte capítulo II, “Su Scooter.”

## PALANCA DE FRENO DE MANO (OPCIONAL)

La palanca de freno de mano contiene un fluido hidráulico que al presionar la palanca es empujado a través de la línea de freno para activar las zapatas en los discos de freno. La palanca del freno de mano está completamente sellada para evitar cualquier pérdida de fluido hidráulico. No obstante, deberá respetar determinadas medidas de seguridad si la palanca de freno se daña o agrieta.

- No toque ninguna sustancia derramada a menos que lleve puesto un equipo de protección, como guantes y gafas de seguridad.
- Para pequeños derrames, cubra la sustancia con tierra seca, arena u otro material absorbente no combustible. Una vez absorbida la sustancia, recoja con cuidado el material en una bolsa de plástico y elimínelo de acuerdo con la normativa local sobre residuos peligrosos. No eche el material a la basura ni por el desagüe.
- Si entrara en contacto con los ojos, quítese primero las lentillas de contacto si las lleva puestas. Lave los ojos con abundante agua fresca y limpia a baja presión, levantando y bajando ocasionalmente los párpados. Consulte a su médico si se forma una herida en los ojos o el enrojecimiento o el dolor persiste.
- Si entra en contacto con la piel, quítese toda la ropa contaminada. Retire la sustancia que quede y lave la piel afectada con agua y jabón. Consulte a su médico si la piel aparece dañada o la irritación persiste. Lave cuidadosamente la ropa contaminada antes de volver a utilizarla. Tire cualquier prenda u objeto de cuero contaminado.
- En caso de ingestión, no trate de inducir el vómito ni de beber ningún líquido a menos que se lo indique el médico. No dé nada por la boca a una persona que no esté totalmente consciente. Pida de inmediato ayuda médica.

# I. SEGURIDAD

- En caso de inhalación, saque a la persona afectada al aire libre. Si la persona no respira, inicie de inmediato el boca a boca. Si presenta dificultades para respirar, se le administrará oxígeno humidificado al 100% por personal cualificado. Solicite de inmediato asistencia médica y mantenga a la persona afectada en reposo y bien tapada.
- En caso de ignición, utilice un extintor de polvo químico, espuma, dióxido de carbono o agua pulverizada para apagarlo.

**¡ADVERTENCIA! No modifique la palanca del freno de mano ni intente reemplazar el fluido hidráulico. En caso de producirse algún daño, siga la información de seguridad de esta sección y póngase en contacto con su proveedor autorizado para el cambio del freno. El proveedor autorizado es el único habilitado para reparar o reemplazar el freno de mano hidráulico.**



**¡ADVERTENCIA! El freno de mano contiene un fluido hidráulico que puede provocar irritaciones leves en la piel, los ojos, la nariz y los bronquios. No trate de ajustar o revisar el freno de mano sin llevar puesto el equipo de protección adecuado, que consiste en guantes y gafas de seguridad, y lave las manos después de cualquier manipulación.**

## II. SU SCOOTER

### CONSOLA DEL MANILLAR

En la consola del manillar están ubicados todos los controles necesarios para manejar el scooter: cerradura de contacto, palanca aceleradora, claxon, regulador de velocidad e indicador de batería. Consulte el Cuadro de características generales en la página 86 para determinar cuál es la figura de consola correspondiente a su modelo (fig. 1, 2, 3, o 4).



**¡PROHIBIDO! No deje que la consola se humedezca. Si la consola estuviera humedecida, espere hasta que se seque completamente antes de manejar el scooter.**

#### CLAVE DE IDENTIFICACIÓN PARA LAS FIGURAS 1, 2, 3, Y 4

- |                            |  |
|----------------------------|--|
| 1. CLAXON                  | 9. INDICADOR DE BATERÍA                |
| 2. *INTERMITENTE IZQUIERDO | 10. LLAVE                              |
| 3. *LUCES DE PELIGRO       | 11. *RETROVISOR Y PUERTO DE RETROVISOR |
| 4. LUCES DE CONDUCCIÓN     | 12. *PALANCA DEL FRENO DE MANO         |
| 5. *INTERMITENTE DERECHO   | 13. *INTERRUPTOR LUZ DE CHARCO         |
| 6. *INTERRUPTOR HI-LOW     | 14. *ASIENTO ELÉCTRICO                 |
| 7. PALANCA ACELERADORA     | 15. *LUZ DE CHARCO                     |
| 8. REGULADOR DE VELOCIDAD  |  |

\*COMPONENTES OPCIONALES

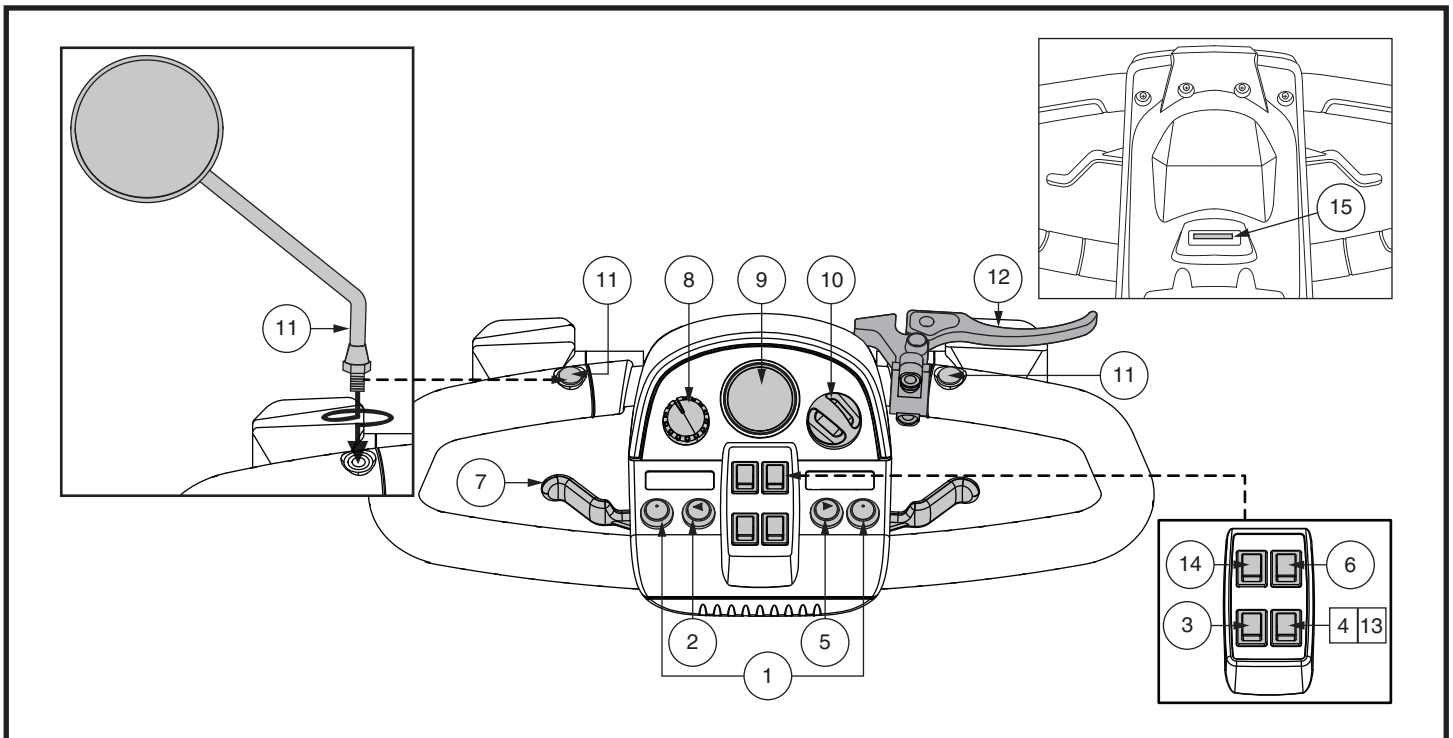


Figura 1. Consola del manillar A

## II. SU SCOOTER

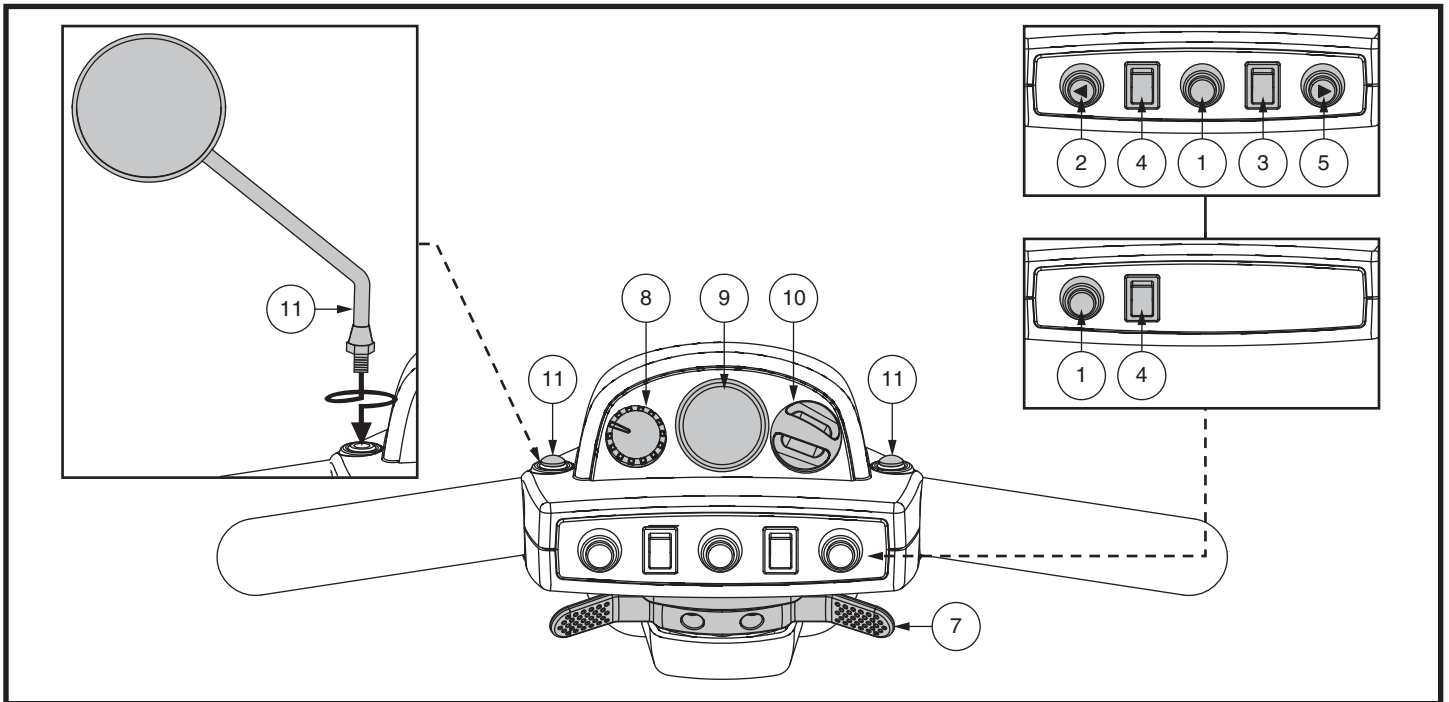


Figura 2. Consola del manillar B

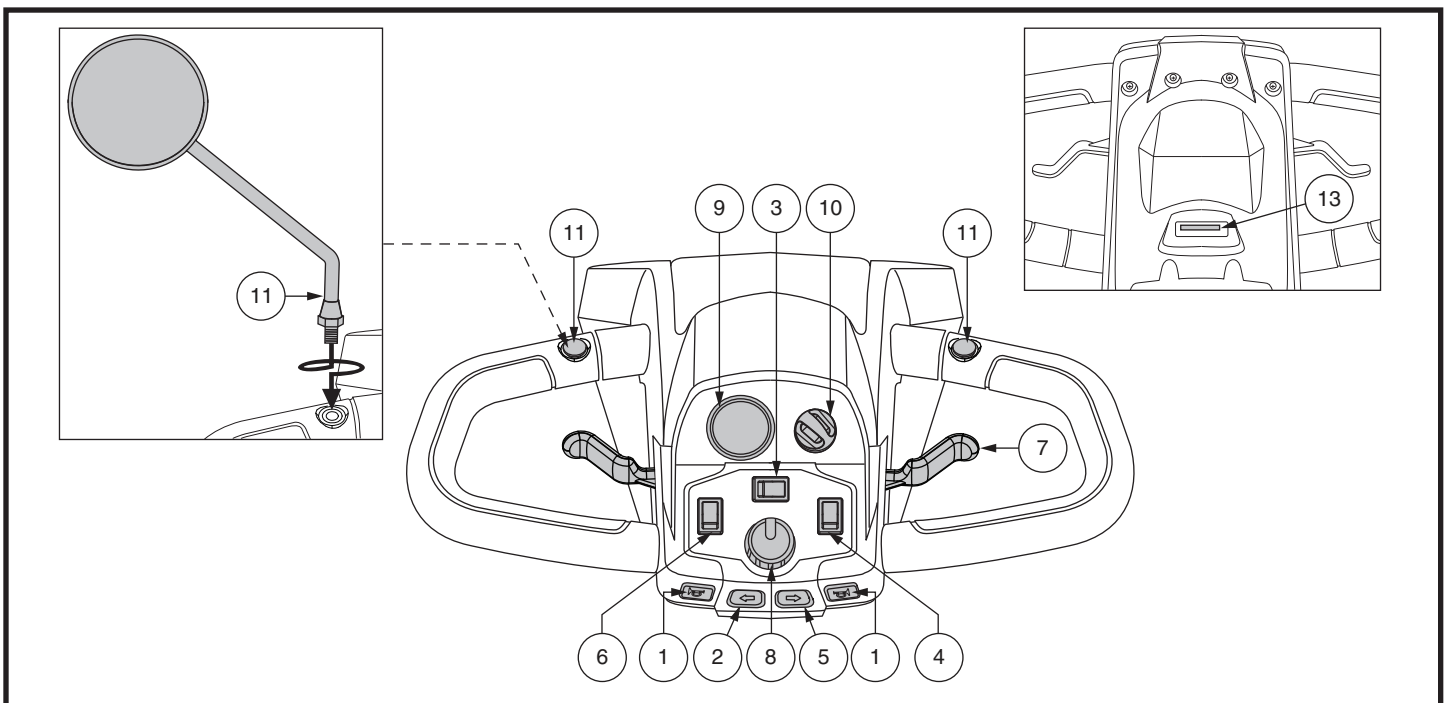


Figura 3. Consola del manillar C

## II. SU SCOOTER

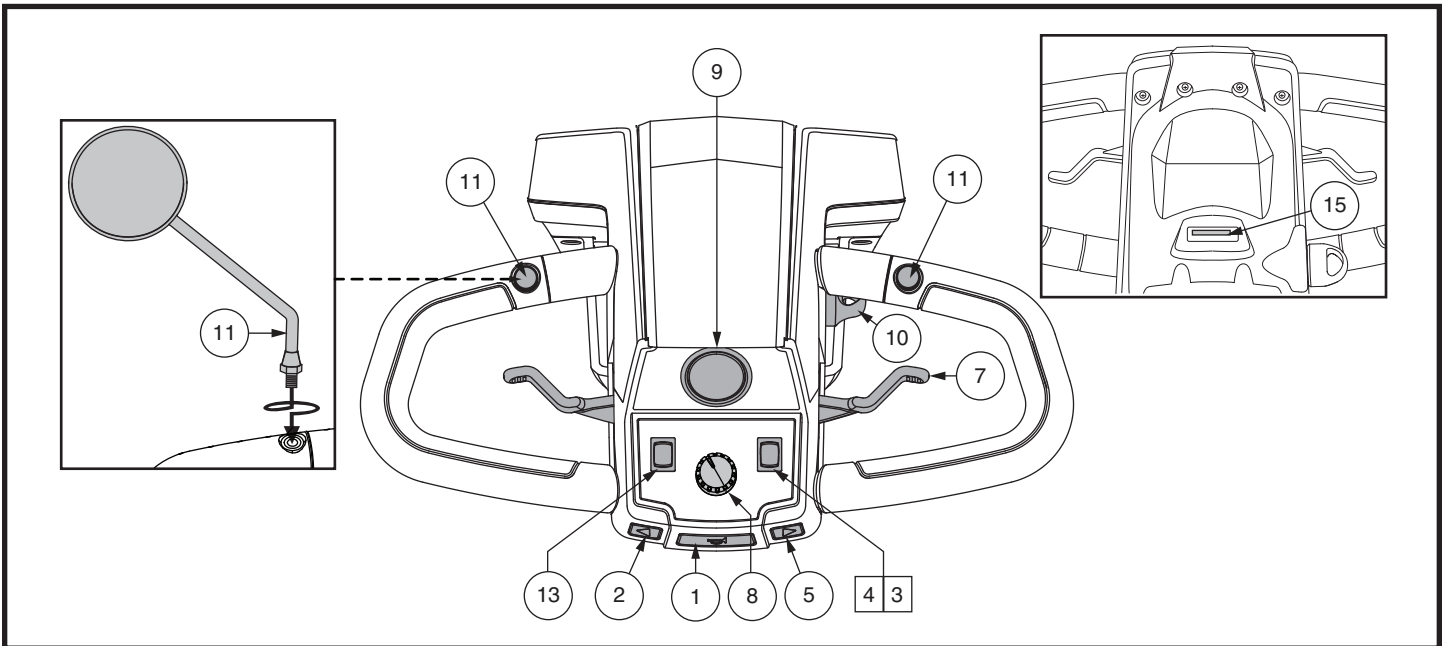


Figura 4. Consola del manillar D

### Claxon

Activa el claxon de advertencia. El claxon sólo funcionará con el Scooter encendido. No dude en utilizar el claxon como señal de advertencia ante cualquier riesgo de accidente o lesión.

### Intermitentes de dirección

Use estos botones para encender los intermitentes derecho e izquierdo (luces ámbar).

- Pulse el botón izquierdo para activar el intermitente izquierdo. Se encenderá el piloto LED del intermitente situado en el indicador de batería.
- Pulse el botón derecho para activar el intermitente derecho. Se encenderá el piloto LED del intermitente situado en el indicador de batería.
- Los intermitentes están programados para apagarse automáticamente.

### Interruptor de iluminación (en modelos equipados)

*Para operar el interruptor de luz para los modelos equipados con la consola de manillar A, C y D:*

- Mueva el interruptor hacia adelante para encender la luz inferior delantera.
- Vuelva a colocar el interruptor en la posición central para desactivar las luces.

*Para operar el interruptor de luz para los modelos equipados con la consola de manillar B:*

- Mueva el interruptor hacia adelante para encender la luz inferior delantera.
- Mueva el interruptor hacia atrás para desactivar las luces.

### Luz de charco

Algunos modelos están equipados con una luz de charco. (Consulte la Tabla de características del scooter en la página 86 la disponibilidad.)

*Para operar la luz de charco para los modelos equipados con la consola de manillar A y C:*

- Mueva el interruptor hacia atrás para activar la luz del charco.
- Regrese el interruptor a la posición central para desactivar las luces.

*Para operar la luz de charco para los modelos equipados la consola de manillar D*

- Mueva el interruptor hacia adelante para activar la luz del charco.
- Mueva el interruptor hacia atrás para desactivar la luz del charco.

## II. SU SCOOTER



**¡ADVERTENCIA! Encienda las luces de su scooter cuando la visibilidad sea insuficiente (sea de día o de noche).**

### Luces de Peligro ▲

Este interruptor activa los intermitentes traseros del scooter.

**Para operar las luces de emergencia para los modelos equipados con la consola de manillar A y B:**

- Mueva el interruptor hacia adelante para encender las luces intermitentes.
- Mueva el interruptor hacia atrás para apagar las luces intermitentes.

**Para operar las luces de emergencia para los modelos equipados con la consola de manillar C:**

- Mueva el interruptor hacia adelante para encender las luces intermitentes.
- Mueva el interruptor hacia atrás para apagar las luces intermitentes.

**Para operar las luces de emergencia para los modelos equipados con la consola de manillar D:**

- Mueva el interruptor hacia atrás para activar las luces intermitentes.
- Vuelva a colocar el interruptor en la posición central para desactivar las luces intermitentes.

### Interruptor Hi-Low

Sirve para seleccionar entre la velocidad máxima (Hi) y mínima (Low) del scooter. Pulse hacia delante (Hi) para alcanzar la máxima velocidad programada en el scooter. Pulse hacia atrás (Low) para no superar la mitad de la máxima velocidad programada en el scooter.

### Asiento eléctrico (Optional)

El interruptor del asiento eléctrico permite bajar y subir el asiento de forma automática. Consulte la sección VI, “Optimizar el confort” para obtener más información sobre el correcto funcionamiento del asiento eléctrico.

### Palanca Aceleradora

Con esta palanca podrá controlar la velocidad marcha adelante y atrás del scooter, dentro de los límites fijados por usted con el regulador de velocidad.

**NOTA:** Las instrucciones de operación de la palanca de control del acelerador que se describen a continuación se aplican a los scooters en una configuración estándar. Si la programación de su scooter fue modificada de alguna manera por un proveedor, comuníquese con ese proveedor para obtener las instrucciones correctas de operación del nivel de control del acelerador.

**Utilización de la palanca aceleradora en modelos equipados con la consola de manillar A, C, y D:**

**Para moverse hacia delante tiene dos opciones:**

- Presione con el pulgar izquierdo la palanca aceleradora izquierda.
- Tire con los dedos de la mano derecha de la palanca aceleradora derecha.

**Para moverse marcha atrás tiene dos opciones:**

- Presione con el pulgar derecho la palanca aceleradora derecha.
- Tire con los dedos de la mano izquierda de la palanca aceleradora izquierda.

**Utilización de la palanca aceleradora en modelos equipados con la consola de manillar B:**

- Para moverse **hacia delante**, presione con el pulgar derecho la parte derecha de la palanca aceleradora.
- Para moverse **hacia atrás**, presione con el pulgar izquierdo la parte izquierda de la palanca aceleradora.

Suelte la palanca aceleradora hasta que el scooter se detenga completamente antes de activar el otro lado de la palanca. Al soltar la palanca aceleradora, ésta vuelve automáticamente a la posición central de “stop”, activando los frenos del scooter.

## II. SU SCOOTER

### Regulador de Velocidad

Esta ruedecilla permite preseleccionar y limitar la velocidad máxima del scooter.

- La imagen de la tortuga representa el valor de velocidad mínimo.
- La imagen de la liebre representa el valor de velocidad máximo.

Para el modelo 710ZT, el dial de ajuste de velocidad tiene tres (3) configuraciones de control de velocidad:

- La imagen de la hoja (ECO) representa la configuración de velocidad más lenta.
- La imagen del hombre (EV) representa la configuración de velocidad rápida.
- La imagen de la bandera (DEPORTE) representa la configuración de velocidad más rápida.

### Indicador del Nivel de Batería

Cuando la llave está introducida totalmente en la cerradura de contacto y girada en sentido de las agujas del reloj para encender el scooter, este indicador muestra el nivel aproximado de las baterías. Para obtener más información sobre el indicador de batería, consulte III, “Baterías y su carga”.

### Piloto de estado (Optional)

El piloto de estado le informará sobre los problemas eléctricos que pudieran aparecer en su scooter. El piloto permanecerá siempre iluminado con el scooter encendido. Si ocurriese alguna incidencia eléctrica, este piloto emitiría un código de destellos. Capítulo VII, “Resolución de problemas”.

### Cerradura de Contacto

- Introduzca la llave en la cerradura de contacto y gírela en sentido horario para encender el scooter.
- Gírela en sentido contrario a las agujas del reloj para apagar el scooter.



**¡ADVERTENCIA! Si mueve la llave a la posición “off” con el scooter en movimiento, activará los frenos electrónicos y el scooter se detendrá bruscamente.**

### Colocación y ajuste del retrovisor

Para información sobre la colocación y ajuste del retrovisor, consulte el capítulo V, “Optimizar el confort”.

### Palanca del freno de mano (en modelos equipados)

Utilice esta palanca para detener el scooter en situaciones de emergencia. Para detener el scooter, suelte la palanca aceleradora y apriete suavemente la palanca del freno de mano.

El freno de mano se puede bloquear en una posición, a modo de freno de estacionamiento, presionando por completo la palanca y seleccionando la posición de bloqueo (fig. 1). Para soltar el bloqueo, presione totalmente el freno de mano.



**¡ADVERTENCIA! El freno de mano se debe utilizar únicamente como freno de emergencia o estacionamiento.**

### Toma de Alimentación del Cargador

El cable de alimentación del cargador externo se enchufa en esta toma para cargar las baterías (fig. 5).

### Fusible de la Consola

Estos fusibles sirven para proteger las luces frontales del scooter, los intermitentes y el sistema de contacto de la consola de sobrecargas de tensión. Los fusibles de su scooter son del mismo tipo que los utilizados en automóviles (fig. 5). Véase el capítulo VIII, “Cuidado y mantenimiento” para instrucciones sobre el cambio de fusibles.

#### CLAVES DE IDENTIFICACIÓN

1. TOMA DE ALIMENTACIÓN DEL CARGADOR
2. CARGADOR EXTERNO
3. CARGADOR DE CONTACTO
4. INFERIOR FUSIBLE DEL FARO
5. LUCES POSTERIORES
6. INTERMITENTE IZQUIERDO
7. INTERMITENTE DERECHO

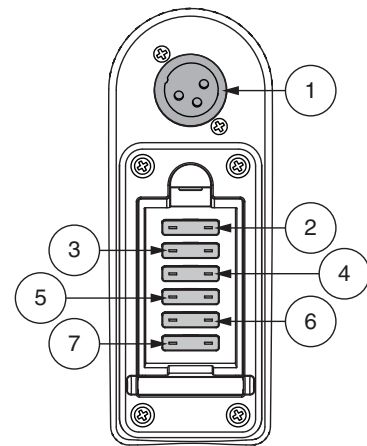


Figura 5. Toma de alimentación del cargador



## II. SU SCOOTER

**NOTA:** Mantenga todas las superficies eléctricas limpias, sin humedad ni cuerpos extraños.

### SECCIÓN POSTERIOR

La palanca del modo manual, las ruedas antivuelco y el conjunto motor/transeje están situados en de su scooter tal y como aparece en la figura (fig. 6). Aunque no se muestran, las baterías y el interruptor principal (botón de reinicio) también se encuentran en la sección posterior de componentes de su scooter.



**¡ADVERTENCIA!** Antes de activar o desactivar el modo manual de su scooter, quite la llave de la cerradura de contacto. No se sienta nunca en un scooter que esté en modo manual. No utilice nunca el modo manual en pendientes.

### Palanca del Modo Manual

Utilice el modo manual cuando necesite o quiera empujar su scooter a lo largo de distancias cortas.

1. Saque la llave de la cerradura de contacto.
2. Presione la palanca hacia delante para deshabilitar el sistema de conducción y frenado. Ya puede empujar su scooter.

**NOTA:** Si el scooter viene equipado con una palanca manual de 2 posiciones, tire hacia arriba de la palanca manual y luego empujela hacia delante para deshabilitar los sistemas de conducción y de frenado. De esta forma, podrá empujar el scooter.

3. Tire hacia atrás de la palanca del modo manual para volver a habilitar el sistema de conducción y frenado; desactivará así el modo manual del scooter.



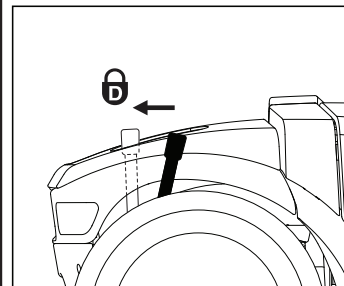
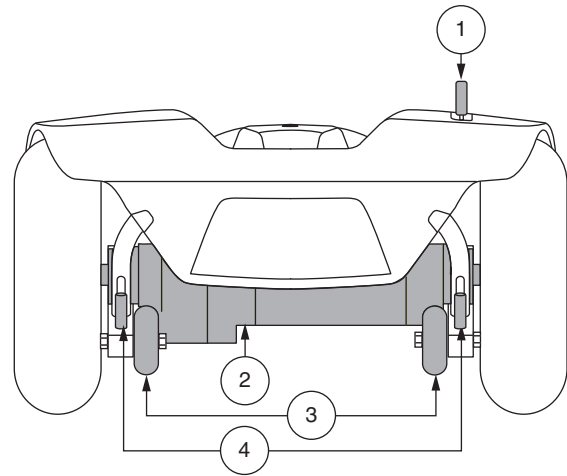
**¡ADVERTENCIA!** Cuando el scooter está en modo manual, el sistema de frenado permanece inactivo.

- Desactive los motores sólo en superficies llanas.
- Asegúrese de sacar la llave de la cerradura de contacto.
- Sitúese detrás o a un lado del scooter para activar y desactivar el modo manual. Nunca lo haga sentado en el scooter.
- Cuando haya terminado de empujar el scooter, vuelva siempre al modo conducción para bloquear los frenos.

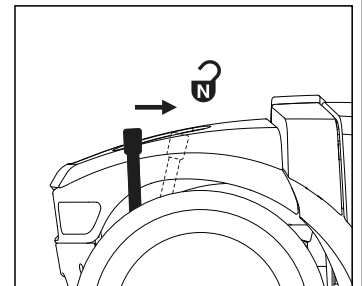
**NOTA:** Si el scooter está en modo manual (la palanca está hacia delante) y la llave en posición “on”, el vehículo no funcionará hasta que se empuje la palanca de modo manual hacia atrás y la llave se gire hasta la posición “off”, y luego de vuelta a la posición “on”.

### CLAVES DE IDENTIFICACIÓN

1. PALANCAS DEL MODO MANUAL
2. CONJUNTO DE MOTOR Y TRANSEJE
3. RUEDAS ANTIVUELCO
4. SOPORTE PARA BANDERA SEGURIDAD



Modo conducción  
(motor activado)



Modo manual  
(motor desactivado)

Figura 6. Sección Posterior

## II. SU SCOOTER

### CLAVES DE IDENTIFICACIÓN

1. PALANCA DEL MODO MANUAL
2. CONJUNTO DE MOTOR Y TRANSEJE
3. RUEDAS ANTIVUELCO

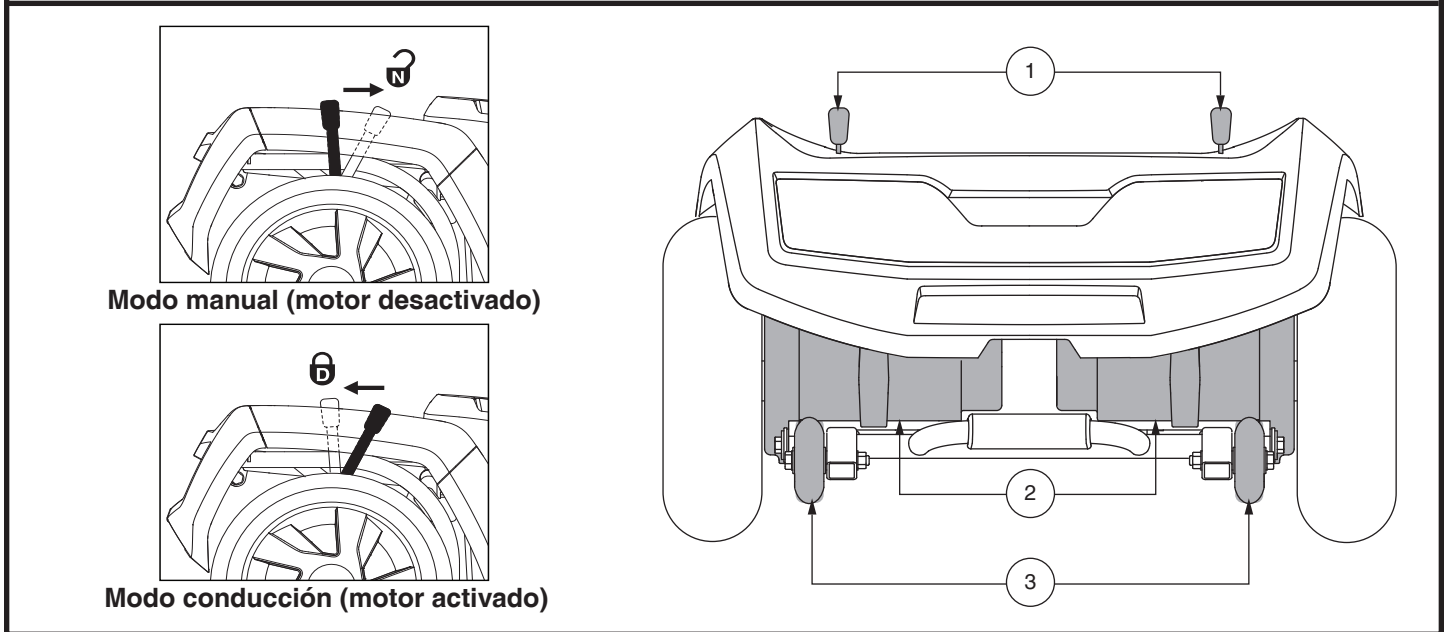


Figura 7. Sección Posterior - 710ZT

### Palancas duales de modo manual - 710ZT

Para su comodidad, su Scooter está equipada con dos palancas para avanzar en modo manual. Estas palancas están ubicadas sobre cada motor y le permiten desactivar los motores de conducción para manejar la scooter (**fig. 8**).



**¡ADVERTENCIA! ¡No utilice la scooter con los motores desactivados! No utilice el modo manual en las pendientes, ya que la scooter podría rodar descontroladamente. Utilice el modo manual únicamente sobre superficies planas.**

**¡ADVERTENCIA! Es muy importante recordar que cuando la scooter se encuentra en modo manual, el sistema de frenos está desactivado.**

**NOTA:** Las baterías no podrán cargarse en modo manual a menos que extraiga la caja de la scooter.

**NOTA:** Deberá apagar la scooter antes de desactivar los sistemas de conducción, de lo contrario el scooter podría mostrarle un código de error. Para eliminar este código, apague el scooter y coloque la scooter en modo conducción. Luego, encienda el scooter. El mensaje habrá desaparecido. De no ser así, póngase en contacto con su proveedor autorizado.

### Para activar o desactivar los motores:

1. Localice las palancas en la parte posterior de la scooter (**fig. 7**).
2. Tira de las dos palancas hacia adelante para desactivar el sistema de conducción (motor desactivado).
3. Empuje las dos palancas hacia atrás para activar el sistema de conducción (motor activado).

Si le resulta difícil mover alguna palanca, mueva ligeramente la Scooter hacia atrás o hacia adelante. La palanca recuperará así la posición deseada.



**¡ADVERTENCIA! No use las manijas de la rueda libre como puntos de amarre para asegurar este producto.**

## II. SU SCOOTER

### Conjunto de Motor y Transeje

El conjunto de motor y transeje constituye una unidad electromecánica que convierte la energía eléctrica de las baterías del scooter en energía mecánica controlada que impulsa las ruedas del scooter.

### Ruedas Antivuelco

Las ruedas antivuelco son una parte muy importante del sistema de seguridad y están diseñadas para evitar que el scooter se vuelque hacia atrás al subir una cuesta. Están atornilladas a la estructura en la parte posterior del scooter.



**¡PROHIBIDO!** Salvo autorización de, no retire las ruedas antivuelco ni modifique de ninguna forma su scooter.



**¡ADVERTENCIA!** Las ruedas antivuelco podrían entorpecer la fluidez normal del scooter al subir o bajar una acera. Para obtener más información, consulte con su proveedor autorizado.

### Compartimiento de almacenamiento (si está equipado)

El compartimiento de almacenaje se encuentra en la caña del timón tu scooter para el cómodo el almacenaje de objetos personales.



**¡ADVERTENCIA!** No se deben guardar y dejar desatendidos bienes personales, mascotas, artículos electrónicos u objetos de valor.

### Baterías

Las baterías guardan la energía eléctrica que impulsa el scooter. Véase el capítulo III, “Baterías y su carga” para saber cómo cargar las baterías de su scooter.

### Soporte para bandera de seguridad (opcional)

El soporte de accesorios para instalar una bandera de seguridad opcional está montado junto a cada rueda antivuelco (fig. 6). Para colocar la bandera, necesitará la llave allen de forma “L” suministrada.

#### Para colocar la bandera de seguridad:

1. Retire el capuchón de la parte superior del soporte.
2. Afloje el tornillo de presión con la llave allen de forma L suministrada.
3. Inserte el mástil de la bandera en la abertura.
4. Para finalizar, apriete el tornillo de presión.

### Botón Disyuntor/Reinicio

Para evitar daños en el motor y el sistema electrónico, el disyuntor principal puede saltar cuando el voltaje de las baterías del scooter se vuelve insuficiente o el scooter está demasiado forzado debido a cargas o pendientes excesivas (fig. 8).

- El botón de reinicio salta cuando el disyuntor se activa.
- Deje “descansar” los componentes electrónicos de su scooter durante un minuto o dos.
- Apriete el botón de reinicio para restablecer el disyuntor principal.
- Si el disyuntor principal se activa con frecuencia, puede que tenga que cargar las baterías más a menudo.
- Si el disyuntor principal interrumpe la corriente regularmente, consulte a su proveedor autorizado.

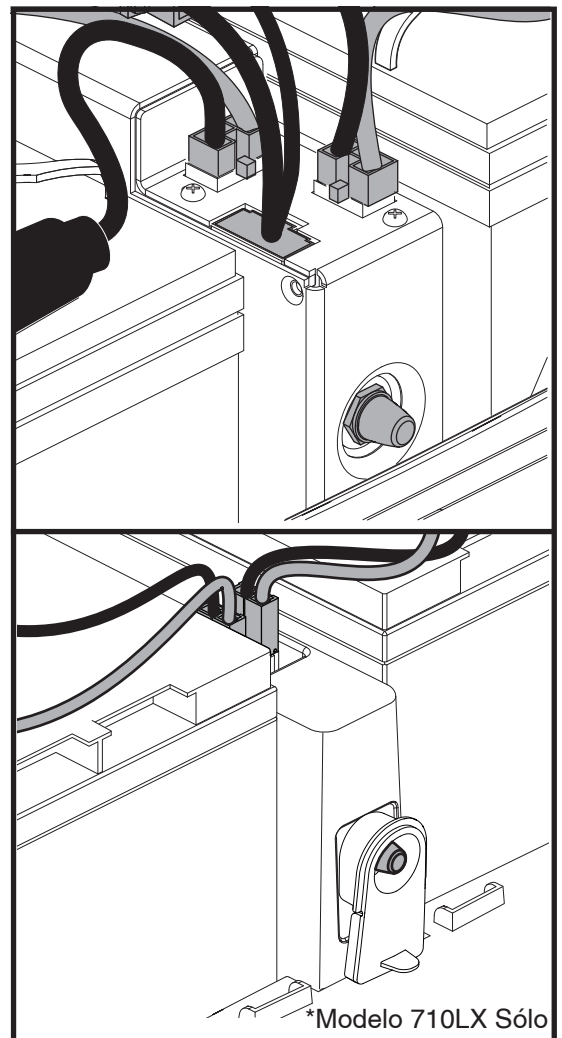


Figura 8. Botón Disyuntor/Reinicio

## II. SU SCOOTER

### PUNTOS DE SUJECIÓN

Sujete siempre el scooter dentro del vehículo mirando hacia delante. Enganche las cuatro correas de sujeción a los puntos de sujeción designados a tal efecto (fig. 9 y 10). Apriete las correas para evitar cualquier movimiento en el scooter. No sujete nunca las correas a piezas extraíbles o regulables del scooter como reposabrazos, reposapiés o ruedas. Deberá retirar estos elementos extraíbles. Coloque los puntos de anclaje de las correas posteriores justo por detrás de los puntos de sujeción posteriores del scooter. Las correas frontales deben amarrarse a los puntos de anclaje del suelo, que tienen una anchura ligeramente superior a la del scooter para incrementar así la estabilidad lateral de éste.

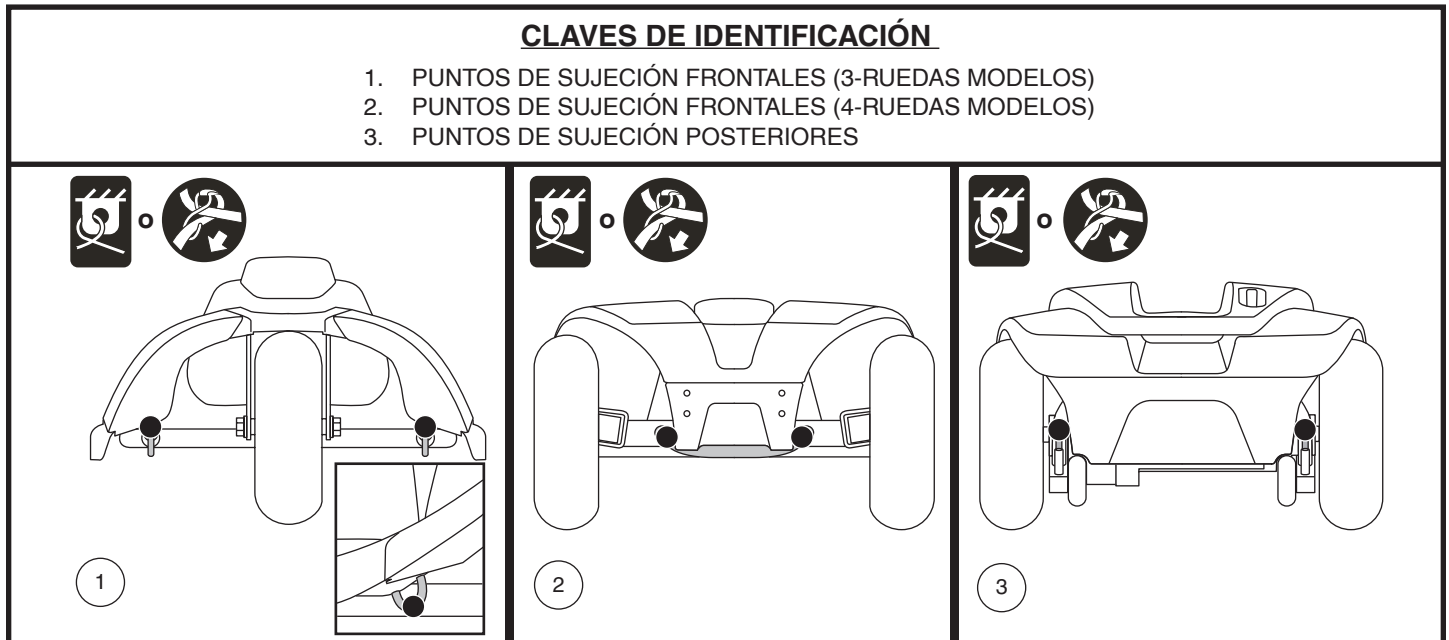


Figura 9. Puntos de sujeción (identificados con puntos negros)

**¡ADVERTENCIA!** Antes de transportar el scooter dentro de un vehículo a motor, asegúrese de que el primero está sujeto correctamente. Los scooters incorrectamente sujetos pueden ser un peligro para el usuario y para los restantes pasajeros del vehículo en caso de accidente de tráfico o detención o giro repentinos, ya que el scooter podría volcar o moverse. No sujete un scooter de ninguna de sus partes desmontables tales como reposabrazos, asiento, cesta, soportes accesorios, etc.

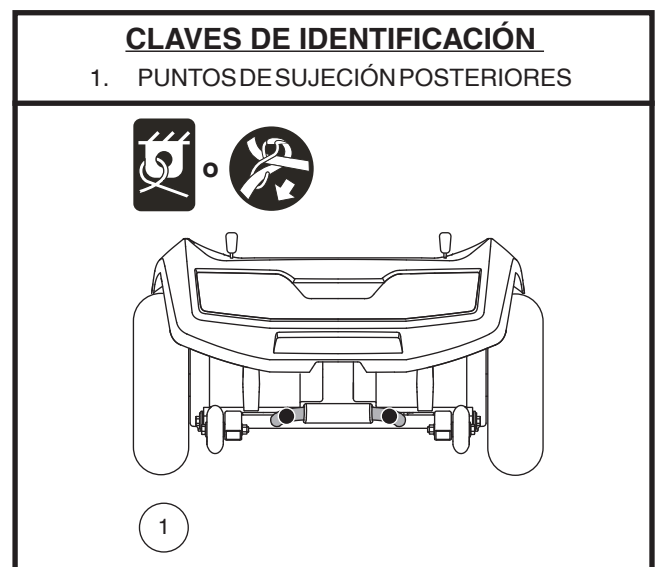


Figura 10. 710ZT - Puntos de sujeción (identificados con puntos negros)

# III. BATERÍAS Y SU CARGA

## BATERÍAS Y SU CARGA

El Scooter utiliza dos baterías de ciclo profundo y larga duración de 12 voltios, selladas y libres de mantenimiento. Se recargan mediante el cargador externo suministrado.

- Cargue las baterías de su Scooter de por lo menos 8 a 14 horas antes de usarlas por primera vez.
- Para que el Scooter funcione perfectamente, mantenga las baterías totalmente cargadas.

## LECTURA DEL VOLTAJE DE LAS BATERÍAS

El indicador de batería de la consola muestra la potencia aproximada de las baterías mediante un código de color. De derecha a izquierda, el verde indica que las baterías están completamente cargadas, el amarillo un vaciado parcial y el rojo advierte sobre la necesidad de recargarlas (**fig. 11**). Para obtener la mayor precisión, compruebe el indicador de baterías conduciendo el Scooter a velocidad máxima, sobre una superficie plana y seca.

*NOTE: Le Mètre ambiant (compteur de condition de batterie 1c) ajuste la luminosité en fonction de l'environnement.*

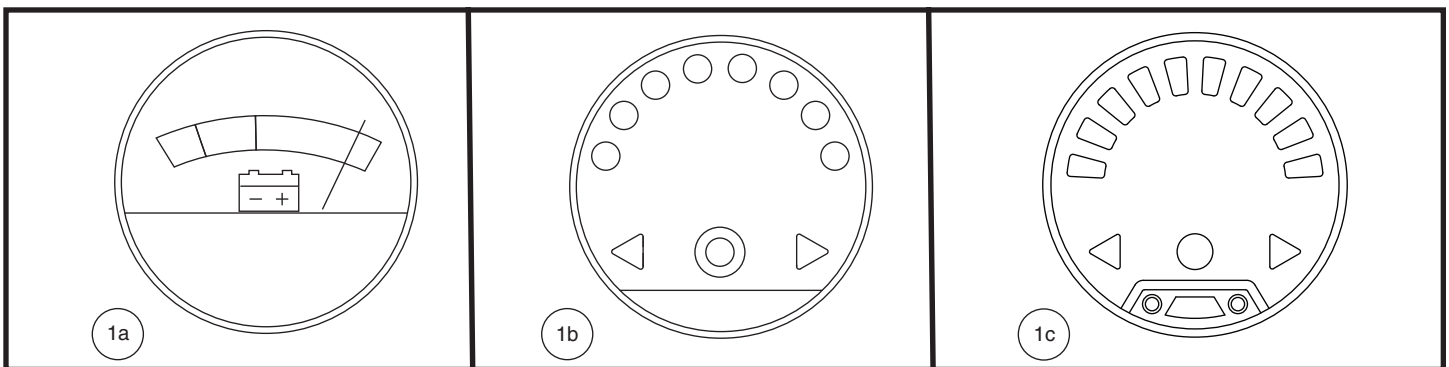


Figura 11. Jauge à batteries

## CARGADO DE BATERIAS



**¡PROHIBIDO!** No quite el contacto de tierra del enchufe para evitar cualquier riesgo eléctrico. Si su toma de corriente tiene únicamente 2 orificios, instale un adaptador de 3 contactos adecuado.



**¡PROHIBIDO!** No conecte cables de prolongación al cable del cargador de batería, ya que podría provocar un riesgo eléctrico.



**¡PROHIBIDO!** Mientras las baterías se cargan, no deje que los niños jueguen cerca del scooter sin supervisión. Le recomendamos no cargar las baterías mientras la silla esté ocupada.



**¡OBLIGATORIO!** Antes de cargar las baterías, lea las instrucciones de carga en este manual y en el manual suministrado con el cargador de batería.



**¡ADVERTENCIA!** Durante el cargado de baterías se pueden generar gases explosivos. Mantenga su silla y el cargador alejados de fuentes ignífugas como llamas o chispas, y proporcione una ventilación adecuada durante el cargado de baterías.

**¡ADVERTENCIA!** Utilice el cargador externo suministrado para recargar las baterías de su silla. No utilice los cargadores utilizados en los automóviles.



**¡ADVERTENCIA!** Antes de cada uso, compruebe el estado de cargador, cables y conectores. Contacte con su proveedor autorizado si encontrara algún daño.

**¡ADVERTENCIA!** No intente abrir la carcasa del cargador de batería. Si el cargador no funcionara correctamente, contacte con su proveedor autorizado.

**¡ADVERTENCIA!** Si el cargador de batería externo viene equipado con ranuras de ventilación, no obstuya el paso de clichas ranuras.

# III. BATERÍAS Y SU CARGA



**¡ADVERTENCIA!** Tenga en cuenta que la carcasa del cargador puede acabar recalentándose durante el cargado. Evite todo contacto con la piel y no deje el cargador sobre superficies a las que pueda afectar el calor.



**¡ADVERTENCIA!** Salvo que su cargador haya sido probado y aprobado para exteriores, no lo exponga a condiciones ambientales extremas o adversas. Si hubiera sido expuesto a condiciones ambientales extremas o adversas, deberá dejarlo adaptarse a las nuevas condiciones en interiores antes de volver a utilizarlo. Para más información, consulte el manual suministrado con su cargador de batería.

*Para cargar las baterías de forma segura con el cargador externo:*

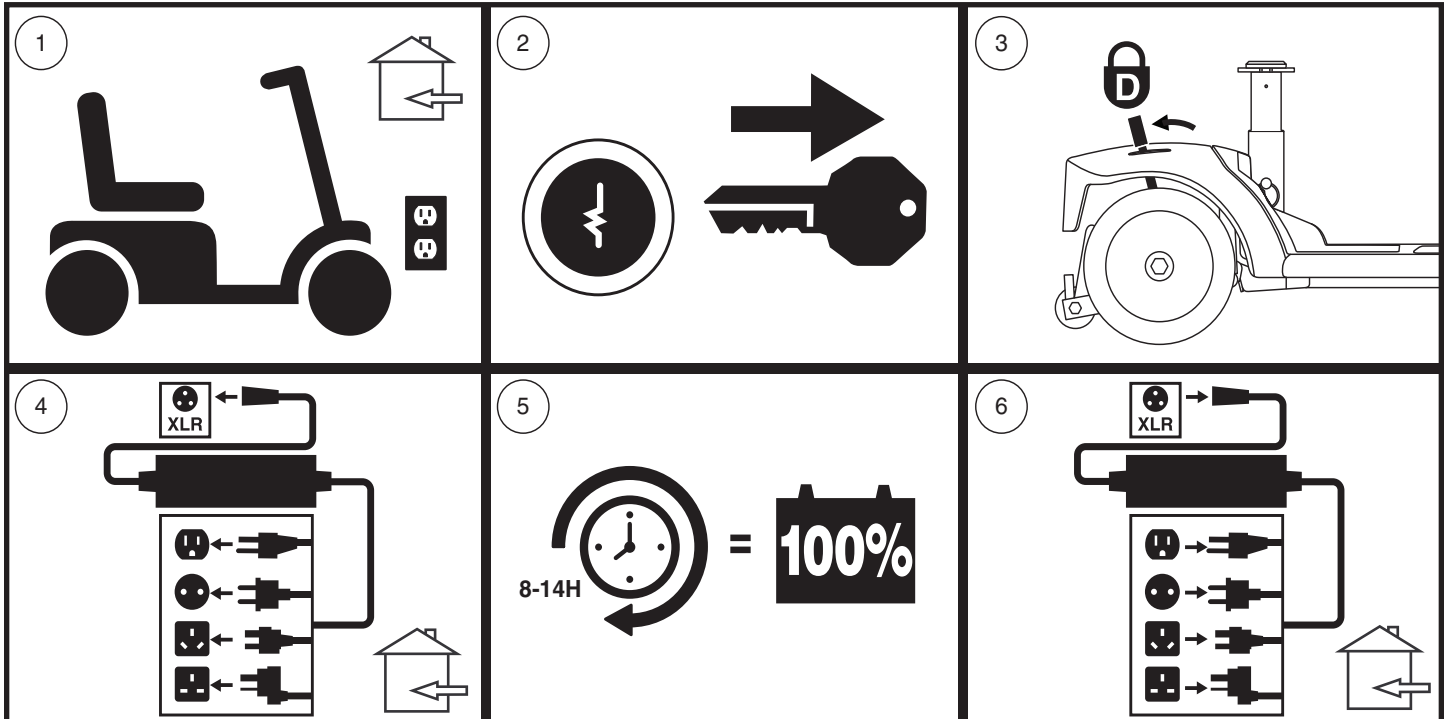


Figura 9. Diagrama del procedimiento de carga de las baterías

**NOTA:** Para el modelo 710ZT, las palancas manuales de rueda libre operan en la dirección opuesta (consulte la figura 7); por lo tanto, para el paso 3 de la figura 12, las palancas deben empujarse hacia delante para activar el modo de conducción.



**¡ADVERTENCIA!** Los indicadores LED en el cargador indican los diferentes estados de carga en cada momento. Si al cabo de 24 horas, el LED sigue sin indicar una carga completa, desenchufe el cargador de la toma de corriente y póngase en contacto con su proveedor. Para saber más sobre estos indicadores, consulte la etiqueta del cargador.

**NOTA:** El scooter dispone de un bloqueador del cargador. Ni el scooter ni el indicador de batería funcionarán mientras se estén cargando las baterías.

## PREGUNTAS MÁS FRECUENTES (P+F)

### ¿Cómo funciona el cargador?

Cuando el nivel de voltaje de las baterías es bajo, el cargador trabaja más duro, enviando más corriente eléctrica a las baterías para llenarlas. Cuando están casi totalmente cargadas, el cargador envía cada vez menos corriente eléctrica. Una vez cargadas completamente, la corriente enviada por el cargador baja hasta un amperaje cercano al cero. Por ello, cuando el cargador está enchufado, mantiene el nivel de carga de las baterías de su scooter, pero sin sobrecargarlas. Para las instrucciones sobre el cargado de baterías, consulte el manual suministrado con el cargador.

## III. BATERÍAS Y SU CARGA

### ¿Puedo utilizar otro tipo de cargador?

Los cargadores varían en función de los usos, y están específicamente adaptados al tipo, tamaño y formulación química de unas determinadas baterías. Para conseguir un cargado más eficiente y seguro de las baterías de su scooter, utilice únicamente el cargador suministrado con el equipo original de su producto. Queda prohibido cualquier método de carga en el que se carguen las baterías individualmente.

### ¿Por qué no consigo cargar las baterías de mi scooter?

- Compruebe que los cables de batería negro (-) y rojo (+) estén conectados correctamente a los bornes de batería.
- Verifique que ambos cables provenientes de las baterías estén conectados a los cables correspondientes que se dirigen al cargador.
- Compruebe que ambos extremos del cable de alimentación del cargador estén bien conectados.
- Asegúrese de que el fusible del cargador en el timón no esté fundido (**fig. 5 y 31**).

### ¿Con qué frecuencia debo recargar las baterías?

Para determinar con qué frecuencia debe cargar las baterías, tenga en cuenta estos dos factores principales:

- Utilización intensiva a diario.
- Uso infrecuente o esporádico.

Teniendo en cuenta esto, podrá determinar con qué frecuencia y durante cuánto tiempo debe cargar las baterías de su scooter. El cargador de batería está pensado para no sobrecargar las baterías del scooter. No obstante, puede tener problemas si no recarga las baterías con la frecuencia requerida o regularmente. Para obtener un cargado y un funcionamiento seguros y fiables, observe las siguientes consignas.

- Si utiliza el scooter a diario, recargue las baterías al finalizar el día. Así, estará listo a la mañana siguiente. Si lo utiliza diariamente, le recomendamos que deje cargando las baterías de por lo menos 8 a 14 horas cada día. Recomendamos dejar cargando las baterías durante 4 horas más después de que el indicador muestre que la carga ha sido completada.
- Si lo utiliza una vez a la semana o menos, cárguelas al menos una vez a la semana durante por lo menos 24 horas.

**NOTA:** Mantenga siempre las baterías cargadas y no deje que se descarguen completamente. Para las instrucciones sobre el cargado de baterías, consulte el manual suministrado con el cargador. Para mejorar el rendimiento y la vida de sus baterías, nosotros recomendamos cargar las baterías durante al menos 48 horas seguidas una vez al mes.

### ¿Cómo puedo obtener el máximo rendimiento por carga?

En general, las situaciones ideales de conducción (terreno liso, plano y firme, sin viento, ni curvas o pendiente) son infrecuentes. En la mayoría de los casos, encontrará pendientes, ranuras en aceras, superficies mal pavimentadas y curvas. Estos factores afectan a la distancia que puede recorrer (la duración de las baterías).

- Antes de usarlas, cargue completamente las baterías.
- Mantenga pero no supere la presión de aire en psi/bares/kPa indicada en cada rueda.
- Planee su trayecto para evitar en lo posible pendientes y superficies blandas o irregulares.
- Limite el equipaje a los artículos imprescindibles.
- Intente mantener una velocidad constante cuando el scooter esté en movimiento.
- Evite avanzar a trompicones.
- Para mejorar el rendimiento y la vida de sus baterías, le recomendamos cargar las baterías durante al menos 48 horas seguidas una vez al mes.
- Compruebe que todos los cables estén conectados correctamente.

### ¿Cómo puedo lograr la máxima vida para mis baterías?

Una batería de ciclo profundo completamente cargada es una garantía de larga vida y alto rendimiento. Siempre que sea posible, mantenga las baterías de su scooter completamente cargadas. Proteja su scooter y las baterías del calor y el frío extremos. Las baterías que se dejan descargar con frecuencia, no se cargan con regularidad, se guardan bajo temperaturas extremas o antes de haberlas recargado completamente pueden dañarse de forma permanente, afectando al funcionamiento del producto y limitando la vida de las mismas.

## III. BATERÍAS Y SU CARGA

**NOTA:** Para prolongar la autonomía de las baterías, apague el scooter y extraiga la llave de contacto siempre que no lo esté utilizando.

### ¿Qué tipo de baterías debo utilizar?

Le recomendamos las baterías de ciclo profundo que vienen selladas y no necesitan mantenimiento. Tanto las baterías AGM como las de gel son baterías de ciclo profundo, y su rendimiento es similar. No utilice baterías líquidas, con tapas extraíbles. Consulte el cuadro de especificaciones para saber el tamaño, ya que las baterías varían en función del fabricante.



**¡ADVERTENCIA! Las baterías están fabricadas con materiales químicos corrosivos. Utilice únicamente baterías de gel o AGM; reducirá así los riesgos de derrame o explosión.**

**NOTA:** Las baterías selladas no requieren mantenimiento. No levante las tapas.

### ¿Por qué mis baterías nuevas no rinden al máximo?

Las baterías de ciclo profundo utilizan una tecnología química distinta de las baterías para coches, las de níquel-cadmio u otros tipos de baterías. Las baterías de ciclo profundo están especialmente diseñadas para proporcionar energía, ir agotando su carga y luego permitir una recarga relativamente rápida.

Nos trabajamos en estrecha colaboración con el fabricante de nuestras baterías para ofrecerle la batería que mejor se adapta a su silla. Nuevas baterías llegan continuamente y son reexpedidas una vez que han sido cargadas. Durante el transporte, las baterías son expuestas a temperaturas extremas que pueden influir en su rendimiento inicial. El calor puede disminuir su carga, y el frío ralentizar la energía disponible y alargar el tiempo necesario para volver a cargar la batería (lo mismo que ocurre en el automóvil).

Serán necesarios unos cuantos días para que la temperatura de las baterías del scooter se estabilice y adapte a la nueva temperatura ambiente. Por otra parte, deberán pasar varios ciclos de carga (vaciado parcial seguido de recarga completa) antes de lograr el equilibrio químico esencial para obtener el máximo rendimiento y duración de una batería de ciclo profundo.

### Siga estos pasos para “rodar” correctamente las nuevas baterías de su scooter y obtener así la máxima eficacia y duración:

1. Cargue completamente las baterías nuevas antes de utilizarlas por primera vez. Con este ciclo de carga conseguirá que rindan al 88% de su nivel máximo.
2. Maneje su nuevo scooter por zonas seguras y familiares. Al principio, conduzca despacio y no vaya demasiado lejos de su casa o entornos habituales hasta que no se haya acostumbrado a los controles del scooter y haya rodado correctamente las baterías.
3. Recargue completamente las baterías. Así, conseguirá que rindan a más del 90% de su nivel máximo.
4. Conduzca de nuevo su scooter, y vuelva a recargar completamente las baterías.
5. Tras cuatro o cinco ciclos de carga, las baterías podrán recibir una carga del 100% de su nivel máximo de rendimiento y durarán más tiempo.

### Utilización del transporte público

Las baterías de gel y AGM están diseñadas para su uso en motos y otros vehículos motorizados. Estas baterías son la Administración Federal de Aviación (FAA), aprobado (sólo en los EE.UU.), lo que permite un transporte seguro en aviones, autobuses y trenes, ya que no hay peligro de derrame o fuga. Si va a utilizar el transporte público, por favor póngase en contacto previamente con la compañía para cumplir con sus requisitos específicos.



# III. BATERÍAS Y SU CARGA

¿Cómo se cambian las baterías de mi scooter?



**¡OBLIGATORIO!** Los bornes, terminales de batería y otros accesorios contienen compuestos de plomo. Durante la manipulación, póngase gafas y guantes, y lávese las manos después.



**¡PROHIBIDO!** Use siempre dos baterías que sean idénticas, del mismo tipo, composición química y capacidad nominal (Ah). Consulte el cuadro de especificaciones de este manual y del manual suministrado con el cargador para saber el tipo de batería recomendado y su capacidad nominal.



**¡ADVERTENCIA!** No mezcle baterías viejas y nuevas. Cambie siempre ambas baterías al mismo tiempo.

**¡ADVERTENCIA!** Si tiene alguna duda acerca de las baterías de su scooter, no dude en contactar con su proveedor autorizado.

**¡ADVERTENCIA!** No manipule las baterías con el asiento ocupado.

**¡ADVERTENCIA!** Las baterías de su scooter únicamente podrán ser mantenidas o reemplazadas por un proveedor autorizado o un técnico cualificado.



**¡PROHIBIDO!** Evite el contacto de herramientas y otros objetos metálicos con los terminales de batería. El contacto con herramientas puede producir descargas eléctricas.

Para cambiar las baterías, necesitará las siguientes herramientas:

- llaves de tubo con trinquete estándar y métricas
- llave inglesa
- destornillador

**¡ADVERTENCIA!** No levante pesos por encima de sus capacidades físicas. En caso necesario, pida ayuda para montar o desmontar el scooter.



**¡ADVERTENCIA!** No tire directamente de los cables eléctricos para desconectarlos del scooter. Sujete siempre por el conector del cable para evitar cualquier daño a la hora de desenganchar los cables.

Para cambiar las baterías:

1. Retire el asiento y la carrocería trasera (fig. 13).
2. Desconecte la cincha de amarre de las baterías (fig. 14).
3. Quite los tornillos del perímetro del paquete de baterías (fig. 14).
4. Desconecte los cables de batería de los terminales de batería (fig. 15 y 16).
5. Extraiga las baterías viejas.
6. Coloque una nueva batería en el compartimento. Para los modelos 710LX y 710LXW, coloque los terminales de la batería de cada batería hacia atrás. Para todos los demás modelos, coloque los terminales de la batería de cada batería uno enfrente del otro y hacia los lados externos del scooter (fig. 14).
7. Conecte el cable rojo de batería al borne positivo (+).
8. Conecte el cable negro de batería al borne negativo (-).
9. Vuelva a colocar los capuchones sobre los bornes.
10. Vuelva a conectar los cables de las baterías.
11. Vuelva a colocar la cincha.
12. Coloque de nuevo la carrocería posterior y el asiento.

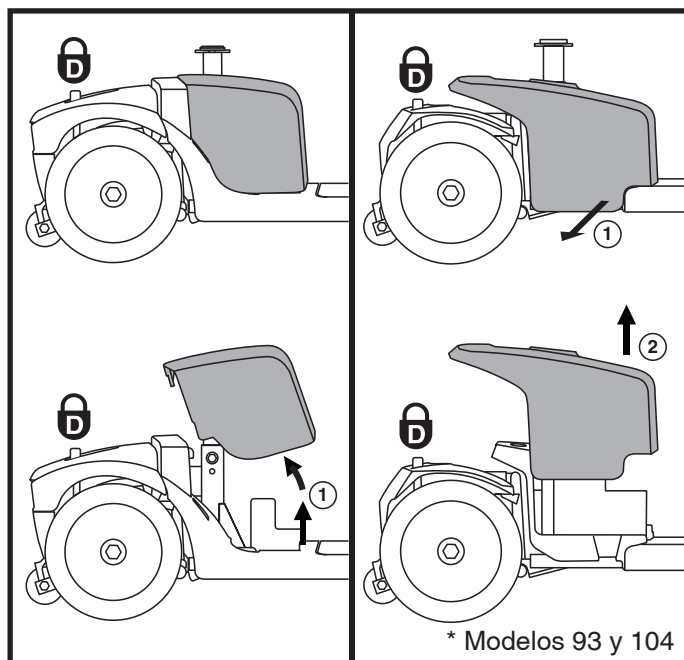


Figura 13. Colocación/extracción de la cubierta de las baterías

\* Modelos 93 y 104

# III. BATERÍAS Y SU CARGA

**NOTA:** Si observa daños o grietas en su batería, guárdela inmediatamente en una bolsa de plástico y póngase en contacto con el organismo local de eliminación de residuos o su proveedor autorizado para saber cómo deshacerse de la batería o reciclarla, que es lo que nosotros recomendamos.

## CLAVES DE IDENTIFICACIÓN

1. DISYUNTOR PRINCIPAL
2. BORNES DE BATERÍA BAJO CAPUCHONES
3. CINCHA DE AMARRE DE LAS BATERIAS
4. CABLE DE BATERIA
5. CABLE DE CONEXIÓN FRONTAL-POSTERIOR

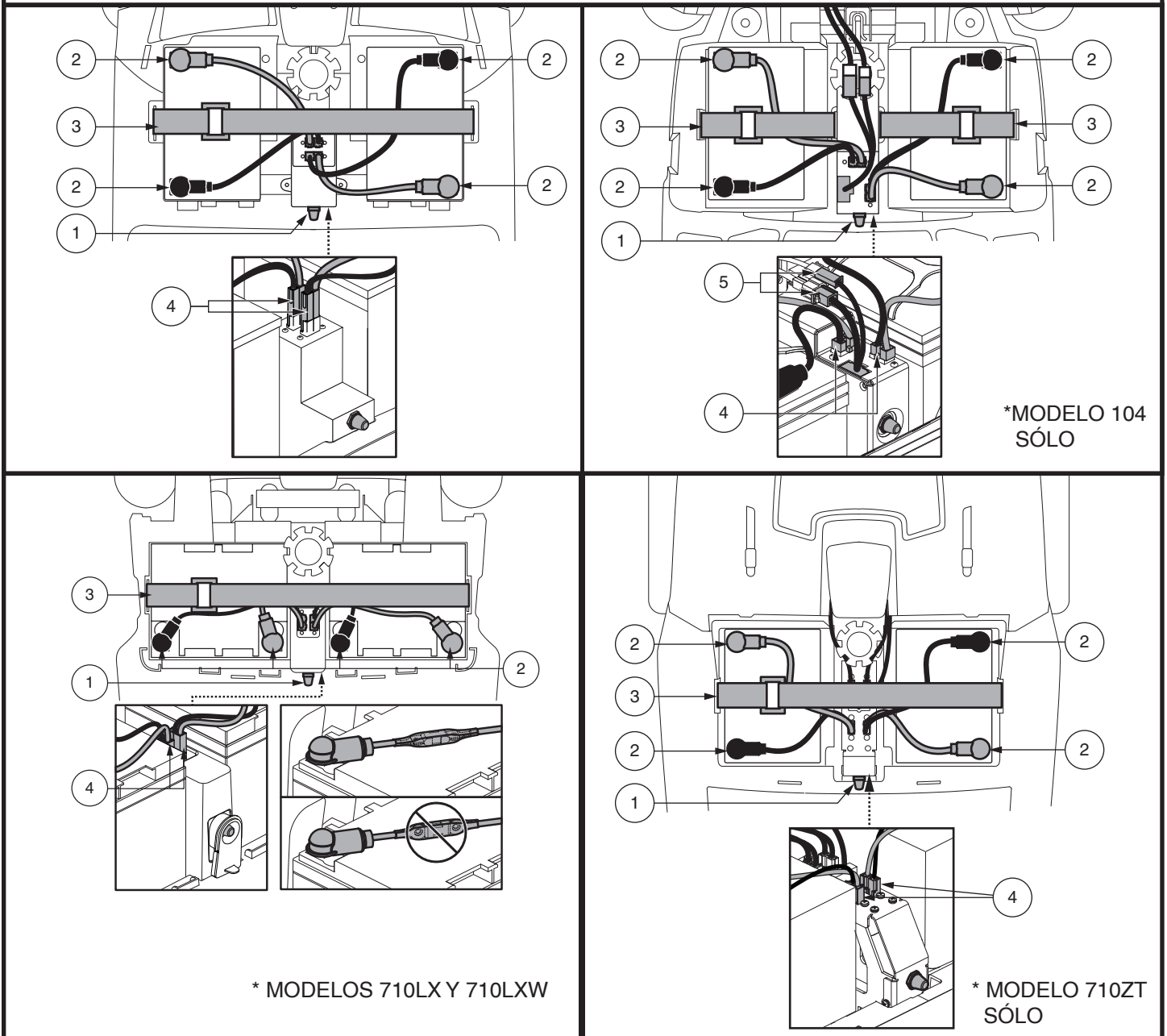


Figure 14. Extracción de la batería / Instalación

# III. BATERÍAS Y SU CARGA

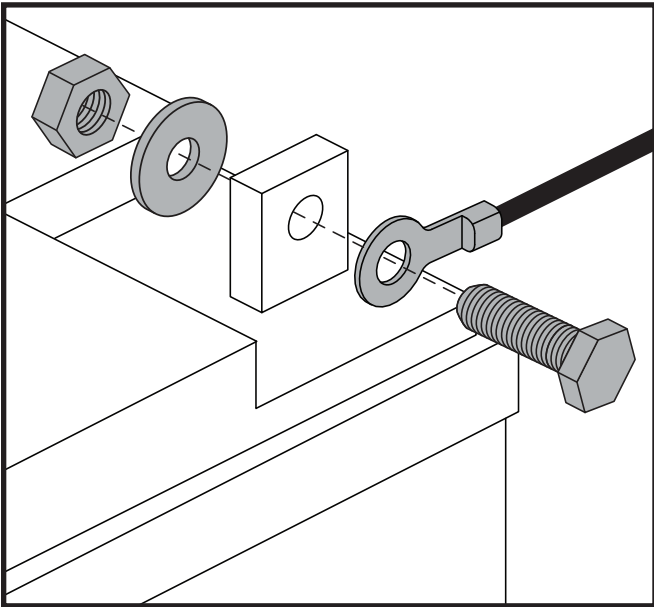


Figure 15. Terminal de la batería hardware - Configuración 1

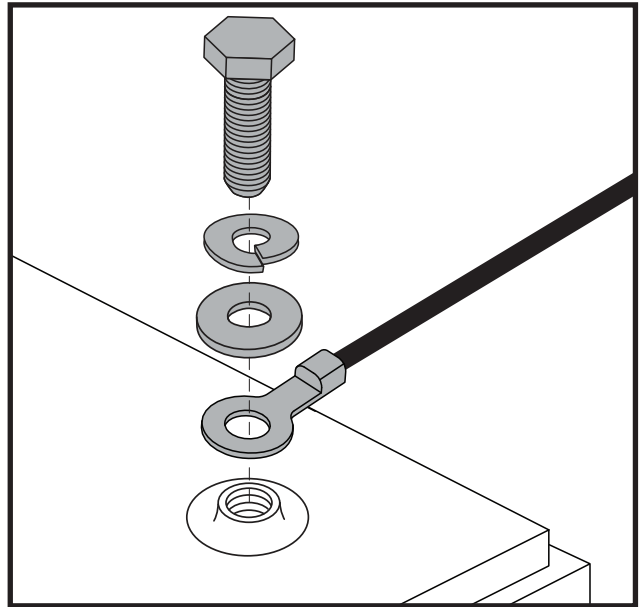


Figura 16. Terminal de la batería hardware - Configuración 2

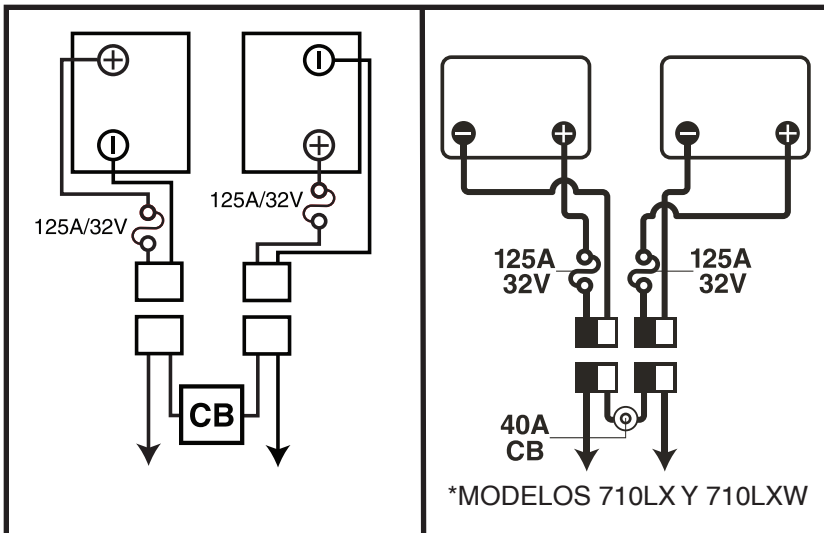


Figure 17. Orientación de los cables de batería

# IV. FUNCIONAMIENTO

## ANTES DE MONTAR EN EL SCOOTER

- ¿Ha cargado las baterías completamente? Capítulo III, “Baterías y su carga”.
- ¿Está la palanca manual en el modo conducción (hacia atrás)? Nunca deje su scooter en el modo de palanca manual de rueda libre a menos que esté empujando manualmente su scooter.
- Asegúrese de que la temperatura del aire es de entre -13°F/-25°C a 122°F/50°C.

## AL MONTAR EN EL SCOOTER

1. Asegúrese de sacar la llave de la cerradura de contacto.



**¡ADVERTENCIA! Nunca intente subir o bajar de su scooter sin antes quitar la llave de la cerradura de contacto. Así, evitará que el scooter se mueva si accidentalmente acciona la palanca aceleradora.**

2. Colóquese a un lado del scooter.
3. Afloje la palanca de bloqueo del asiento y gire éste de forma que quede mirando hacia usted.
4. Compruebe que el asiento esté firme y no se mueva.
5. Siéntese con cuidado y póngase cómodo en el asiento.
6. Afloje la palanca de bloqueo del asiento y gire éste hasta quedar mirando al frente.
7. Compruebe que el asiento esté firme y no se mueva.
8. Asegúrese de que sus pies estén apoyados correctamente en el piso del scooter.

## AJUSTES Y CONTROLES PREVIOS

- ¿Está el asiento a la altura adecuada? Consulte el capítulo V, “Optimizar el confort”.
- ¿Está el asiento bien sujeto en su sitio?
- ¿El manillar está en una posición cómoda y bien sujeto en su sitio? Capítulo V, “Optimizar el confort”.
- ¿La llave está completamente insertada en la cerradura de contacto y girada en sentido horario hacia la posición “on”?
- ¿El claxon de scooter funciona correctamente?
- ¿El camino por el que va a circular está libre de gente, animales y obstáculos?
- ¿Ha planeado su itinerario para evitar superficies irregulares y todas las pendientes que pueda?

## MANEJO DEL SCOOTER

**¡ADVERTENCIA! Lo siguiente podría afectar negativamente a la dirección y estabilidad mientras conduce su scooter:**



- **Sujetar o llevar atada una correa para pasear a su mascota**
- **Llevar pasajeros (incluidas mascotas)**
- **Colgar cualquier artículo del manillar**
- **Remolcar o ser remolcado por otro vehículo motorizado**

**¡ADVERTENCIA! Mantenga siempre ambas manos en el manillar y sus pies en el piso del vehículo mientras maneje el scooter. Esta posición de conducción le garantiza el mayor control sobre su vehículo.**

- Seleccione la velocidad máx. deseada con el regulador de velocidad.
- Presione con el pulgar la parte apropiada de la palanca aceleradora.
- El freno de disco electromecánico de estacionamiento se desactiva automáticamente y el scooter acelera suavemente hasta la velocidad preseleccionada con el regulador de velocidad.
- Tire del puño izquierdo para dirigir el scooter hacia la izquierda.
- Tire del puño derecho para dirigir el scooter hacia la derecha.
- Mueva el manillar a la posición central para circular todo recto.
- Para detenerse, suelte suavemente la palanca aceleradora. Los frenos electrónicos se activan automáticamente al detenerse el scooter.

## IV. FUNCIONAMIENTO

**NOTA:** Si está equipado con *iTurn Technology™*, girar rápidamente el timón completamente hacia un lado y luego hacia el otro lado puede hacer que el scooter no funcione como se espera y/o causar una falla en el controlador. Para reiniciar el controlador, gire el timón a la posición central, luego gire la llave a la posición de apagado, espere 5 segundos y luego gire la llave a la posición de encendido.

**NOTA:** La velocidad marcha atrás del scooter es más lenta que la velocidad hacia delante preseleccionada en el regulador de velocidad.

### PARA BAJAR DEL SCOOTER

1. Detenga completamente el scooter.
2. Saque la llave de la cerradura de contacto.



**¡ADVERTENCIA!** Nunca intente subir o bajar de su scooter sin antes quitar la llave de la cerradura de contacto. Así, evitará que el scooter se mueva si accidentalmente acciona la palanca aceleradora.

3. Afloje la palanca de bloqueo del asiento y gire éste hasta quedar mirando hacia un lateral del scooter.
4. Compruebe que el asiento esté firme y no se mueva.
5. Con cuidado, bájese del asiento y colóquese a un lado del scooter.
6. Puede dejar el asiento mirando hacia un lateral para que la próxima vez le sea más fácil subirse al scooter.

### TEMPORIZADOR DE DESCONEXIÓN

Su scooter está equipado con una función de temporizador de apagado automático diseñada para evitar que su scooter se mueva si se deja desatendido. Si deja accidentalmente la llave en la posición “on” pero no utiliza su scooter durante unos 20 minutos, el controlador del scooter se apagará automáticamente. Aunque el controlador esté apagado, el sistema eléctrico del scooter seguirá funcionando.

**Siga los pasos siguientes para retomar el funcionamiento normal tras la activación del temporizador de desconexión:**

1. Saque la llave de la cerradura de contacto.
2. Vuelva a introducir la llave y encienda el scooter.

# V. OPTIMIZAR EL CONFORT

## AJUSTE DEL ÁNGULO DEL MANILLAR (Ver fig. 18)

**¡ADVERTENCIA!** Saque la llave de la cerradura de contacto antes de ajustar el manillar o el asiento. Nunca intente ajustar el manillar o el asiento con el scooter en movimiento.



**¡ADVERTENCIA!** Antes de operar el scooter, presione y jale el manillar para garantizar que el mecanismo de ajuste del ángulo esté seguro. Inspeccione el pomo de ajuste del manillar y el mecanismo de ajuste del ángulo para garantizar que estén completamente acoplados. Si ha movimiento en el manillar, contrólole para asegurarse de que el pomo de ajuste del manillar esté completamente ajustado.

**NOTA:** Para poder bajar la caña del manillar al piso del scooter, deberá quitar en primer lugar el asiento. Consulte el capítulo VI, “Desmontaje y montaje”.

## POSICIÓN DEL RETROVISOR

Para instalar el/los retrovisor/es (fig. 1, 2, 3, o 4):

1. Elija un lateral donde colocarlo y retire el tapón de goma de la parte superior de la empuñadura.
2. Introduzca el extremo fileteado del soporte de retrovisor en la abertura y gírelo en sentido horario hasta que quede acoplado.
3. En caso necesario, gire la tuerca en sentido horario para sujetar el retrovisor en su sitio.

### Ajuste del retrovisor:

1. Siéntese en el scooter mirando hacia delante.
2. Ajuste el retrovisor a izquierda, derecha, arriba o abajo hasta conseguir un buen ángulo de visión posterior.

## AJUSTES DEL ASIENTO

**NOTA:** Los ajustes del asiento se explican en esta sección dependiendo del tipo de asiento de su scooter. Consulte el cuadro de características del scooter para conocer las opciones aplicables a su asiento específico.

### Anchura de los reposabrazos

Su tipo de asiento puede estar equipado con una función de ajuste del ancho del apoyabrazos. La anchura de los reposabrazos puede reducirse o ampliarse.

1. Afloje los pomos de ajuste de los reposabrazos (fig. 19).
2. Con la anilla, tire y extraiga las arandelas de anclaje.
3. Deslice los brazos hacia el interior o exterior hasta conseguir la anchura deseada.
4. Alinee los orificios de ajuste en la estructura del asiento y los reposabrazos y vuelva a colocar las arandelas de anclaje.
5. Vuelva a apretar los pomos de ajuste.

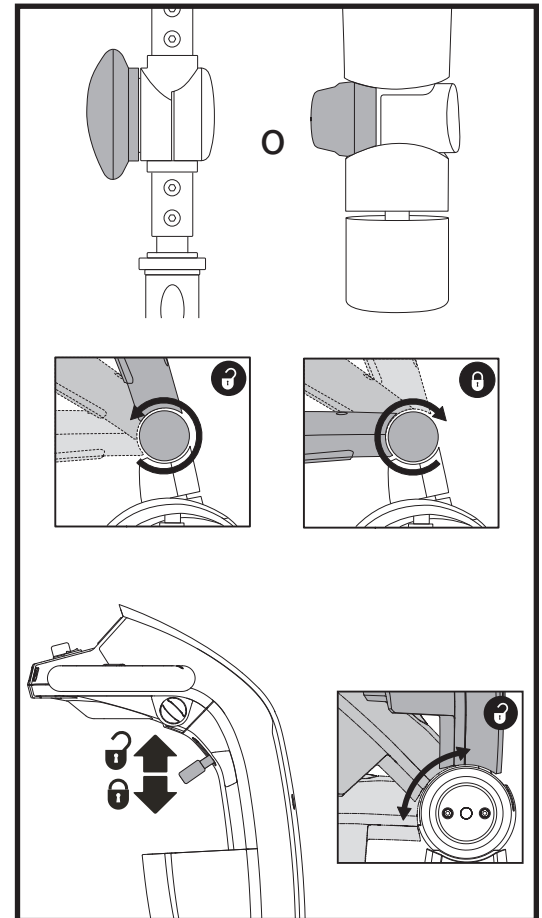


Figura 18. Regulador del manillar

### CLAVES DE IDENTIFICACIÓN

1. POMOS DE AJUSTE
2. ARANDELA DE ANCLAJE
3. PALANCA DE ROTACIÓN

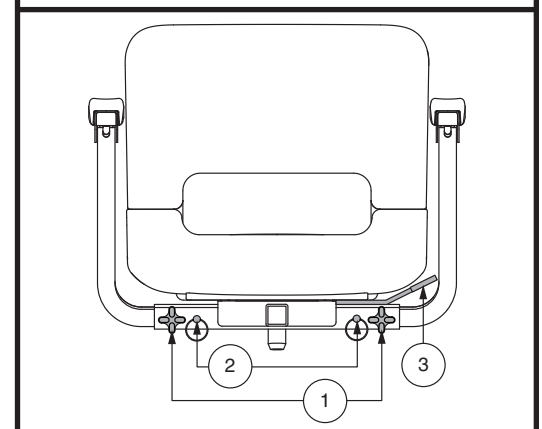


Figura 19. Ajustes en el asiento – Estilo A

# V. OPTIMIZAR EL CONFORT

**NOTA:** Levante los reposabrazos de forma que pueda subir y bajar más fácilmente del scooter.

## Ajuste de la posición del asiento (Rotación)

La palanca de rotación, ubicada en el lateral derecho de la base del asiento, ajusta el asiento en varias posiciones.

1. Tire hacia arriba de la palanca de bloqueo para desbloquear el asiento (fig. 19 o 20).
2. Gire el asiento hasta la posición deseada.
3. Suelte la palanca de bloqueo para que el asiento recupere su sitio.

## Regulación del respaldo



**¡ADVERTENCIA!** No conduzca el scooter con el respaldo en posición reclinada.

**¡ADVERTENCIA!** Mantenga siempre su espalda apoyada firmemente contra el respaldo mientras ajusta este ángulo.

Para ajustar el asiento reclinable de su scooter, siga los siguientes pasos (fig. 19).

1. Con la espalda apoyada contra el respaldo, levante la palanca de ajuste del respaldo e inclínese adelante o atrás para ajustar el ángulo del respaldo.
2. Suelte la palanca de ajuste del respaldo una vez encontrada la posición de conducción deseada.

## Ajuste de la posición del asiento (Adelante-atrás)

Puede colocar el asiento más hacia delante o hacia atrás para ajustar la distancia entre el asiento y el manillar.

1. Mueva la palanca de deslizamiento hacia fuera (fig. 20).
2. Mientras sujeta la palanca hacia fuera, deslice el asiento adelante o atrás.
3. Suelte la palanca de deslizamiento una vez alcanzada la posición deseada.

## Ajuste del ángulo de los reposabrazos

El ángulo de los reposabrazos de su scooter puede ajustarse arriba o abajo girando el ajuste (fig. 20).

**NOTA:** Levante los reposabrazos de forma que pueda subir y bajar más fácilmente del scooter.

## Soporte de accesorios

El soporte de accesorios va montado en la parte posterior del scooter y permite llevar accesorios tales como una cesta, un andador o una botella de oxígeno. Utilice la arandela de anclaje para fijar cada elemento al soporte de accesorios. Ver figura 20. Para obtener más información, consulte con su proveedor autorizado.

### CLAVES DE IDENTIFICACIÓN

1. PALANCA DE AJUSTE DEL RESPALDO
2. PALANCA DE ROTACIÓN
3. PALANCA DESLIZANTE
4. SOPORTE DE ACCESORIOS
5. ARANDELAS DE ANCLAJE

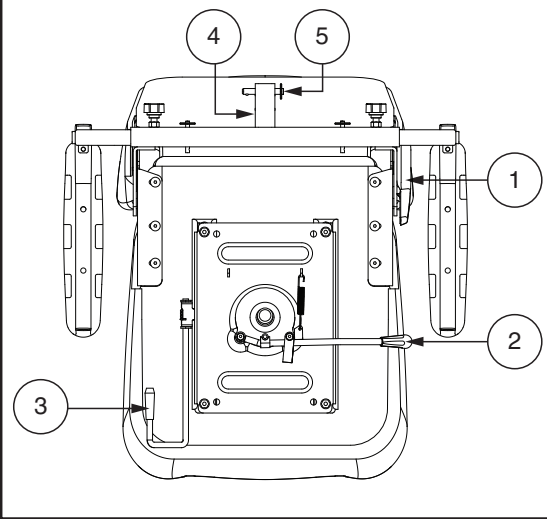


Figura 20. Ajustes en el asiento – Estilo B

# V. OPTIMIZAR EL CONFORT

## Ajuste de la altura del asiento

El asiento puede colocarse a diferentes alturas (fig. 21).

1. Retire el asiento y la carrocería trasera del scooter. Consulte el capítulo VI, “Desmontaje y montaje”.
2. Extraiga el perno de regulación de altura del asiento.
3. Suba o baje la parte superior de la torre del asiento hasta lograr la altura deseada.
4. Sujetando la parte superior de la torre a esa altura, haga coincidir los orificios de posición en la parte superior e inferior de la torre.
5. Introduzca el perno de regulación de altura por los orificios de posición superior e inferior de las torres.
6. Vuelva a colocar la tuerca del perno de regulación de altura y apriete.
7. Coloque la carrocería posterior y el asiento.

## Ajuste de la altura del asiento—torre del asiento comfort (en modelos equipados)

### Para variar de altura el asiento (2 alturas):

1. Retire el asiento de su scooter. Empuje hacia delante o tire hacia arriba de la palanca de rotación, sin soltarla, para desprender el asiento; luego gire el asiento y levántelo del scooter.
2. Retire la cubierta trasera.
3. Saque el protector de la torre del asiento.
4. Presione hacia abajo la torre mientras afloja y extrae el perno de anclaje, la arandela y la tuerca (fig. 22).
5. Retire el muelle comfort.
6. Para levantar el asiento hasta el orificio superior, inserte el separador de ajuste de altura. Para bajar el asiento hasta el orificio inferior, retire el separador de ajuste de altura.
7. Vuelva a colocar el muelle.
8. Sujete la torre superior a la altura deseada y haga coincidir los orificios de ajuste de la parte inferior de la torre. Los orificios superiores son para las posiciones más altas y los inferiores para las más bajas.

**NOTA:** Cuando la tija del sillín se coloca en la posición superior, se deben utilizar dos espaciadores.

9. Presione hacia abajo la torre mientras vuelve a colocar las piezas de sujeción apretando hasta 24 N • m (210 in • lb).
10. Coloque de nuevo la carrocería posterior y el asiento.

### CLAVES DE IDENTIFICACIÓN

1. TORRE SUPERIOR
2. TUERCA
3. SPERNO REGULADOR DE ALTURA
4. TORRE INFERIOR

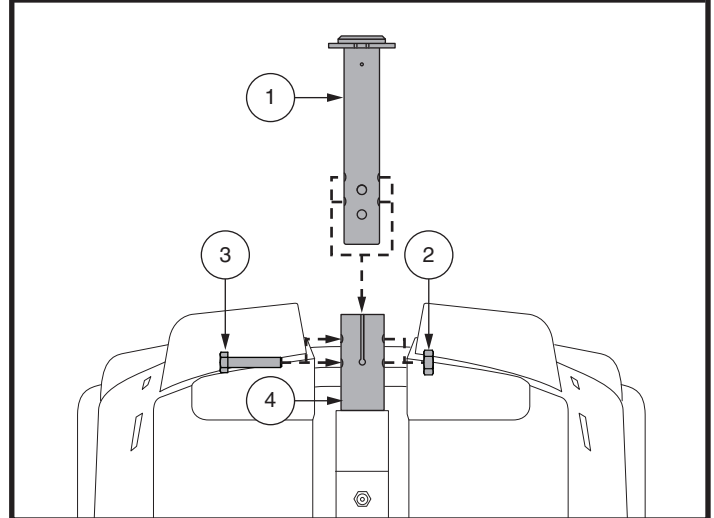


Figura 21. Altura del asiento

### CLAVES DE IDENTIFICACIÓN

1. MARGUITO DE GOMA
2. TORRE SUPERIOR
3. MUELLE COMFORT  
peso máximo: 0-90.72 kg (0-220 lbs.)  
90.72-181.44 kg (220-400 lbs.)
4. SEPARADOR
5. PERNO DE ANCLAJE ( 24 N • m [210 IN • LB])
6. TORRE INFERIOR
7. ARANDELA
8. TUERCA

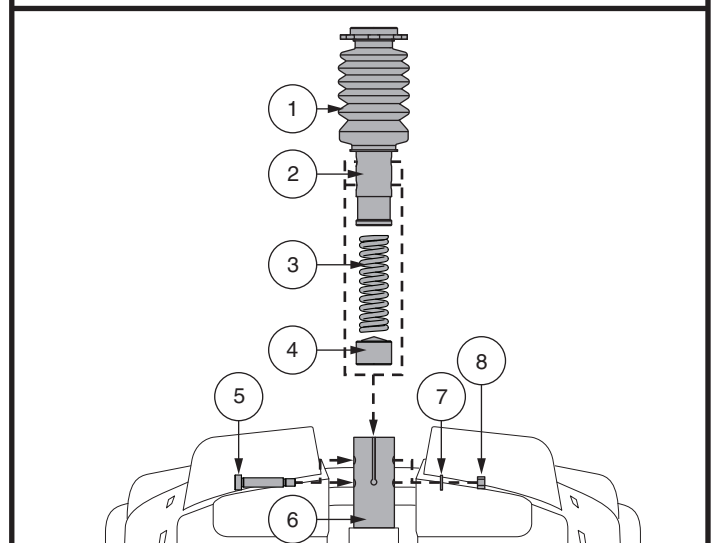


Figura 22. Ajuste de la altura del asiento - Torre del asiento comfort



# V. OPTIMIZAR EL CONFORT

## Opción de Asiento Eléctrico (Si esta disponible)

Su scooter puede estar equipado con un asiento eléctrico opcional. El asiento eléctrico está diseñado para ser subido y bajado con un mínimo esfuerzo por parte del usuario. Si es así, encontrará un interruptor adicional en la consola del manillar.

**¡ADVERTENCIA! El asiento eléctrico únicamente podrá ser utilizado con el scooter parado y sobre una superficie plana. Su finalidad es la de ayudarle a alcanzar objetos. Conduzca sólo el scooter con el asiento eléctrico en su posición más baja. La conducción con el asiento elevado podría inestabilizar el scooter hasta el punto de volcar o caer.**



**Para su seguridad, siga al pie de la letra las siguientes consignas:**

- **Utilice el asiento eléctrico sólo cuando esté totalmente parado y en superficies llanas.**
- **No pulse la palanca aceleradora y el interruptor del asiento eléctrico al mismo tiempo.**
- **No maneje el scooter con el asiento eléctrico elevado. Conduzca el scooter solamente con el asiento eléctrico completamente retraído (en la posición más baja).**
- **Nunca utilice el modo manual con el asiento eléctrico elevado.**
- **Extreme la precaución cuando tenga que alcanzar objetos desde su asiento eléctrico elevado. No se estire demasiado ni intente coger objetos que puedan afectar al equilibrio de su scooter.**
- **No suba ni baje el asiento mientras conduce el scooter.**

Antes de manejar el asiento eléctrico, compruebe que el scooter está parado y en una superficie llana y que el regulador de velocidad está en su nivel más bajo.

### Para operar el asiento eléctrico:

1. Para subir el asiento eléctrico, mantenga pulsada la parte superior del interruptor (**fig. 1**). Suelte el interruptor cuando haya alcanzado la altura deseada o la altura máxima.
2. Para bajar el asiento eléctrico, mantenga pulsada la parte inferior del interruptor. Suelte el interruptor cuando haya alcanzado la altura deseada o la altura mínima.

**NOTA: Debe detener el scooter antes de ponerse a manejar el asiento eléctrico. Si pulsa el interruptor del asiento con el scooter en movimiento, éste disminuirá la velocidad hasta detenerse. El scooter también puede indicar un código de error. Si aparece un código de error.**

Pueden presentarse ocasiones en las que necesite manejar el scooter con el asiento eléctrico subido para alcanzar algún objeto o tener una mejor visibilidad. Dependiendo de la altura que haya alcanzado el asiento eléctrico, la velocidad del scooter se reducirá automáticamente al volver a manejarlo.

Subir el asiento eléctrico a aproximadamente la mitad de su altura máxima limita la velocidad del scooter a la mitad de la programada en el regulador de velocidad. Subir el asiento eléctrico a aproximadamente tres cuartos de su altura máxima detendrá el scooter si presiona la palanca aceleradora. Para volver a conducir el scooter, deberá bajar el asiento eléctrico por debajo de los tres cuartos de su altura máxima. El scooter no podrá conducirse a velocidad máxima hasta que el asiento haya sido bajado a aproximadamente la mitad de su altura máxima.

En cualquier caso, le recomendamos no manejar el scooter con el asiento eléctrico subido.

# V. OPTIMIZAR EL CONFORT

## Ajuste de la suspensión del asiento (en modelos equipados)

Puede ajustar más o menos la suspensión del asiento en función del muelle Comfort instalado.

### Para ajustar la suspensión del asiento:

1. Retire el asiento de su scooter. Empuje hacia delante o tire hacia arriba de la palanca de rotación, sin soltarla, para desprender el asiento; luego gire el asiento y levántelo del scooter.
2. Retire la cubierta trasera.
3. Saque el protector de la torre del asiento.
4. Presione hacia abajo la torre mientras afloja y extrae el tornillo de cabeza hexagonal y la tuerca.
5. Retire el muelle actual.
6. Coloque el muelle deseado (fig. 22).
7. Presione hacia abajo la torre mientras vuelve a colocar las piezas de sujeción apretando hasta 24 N • m (210 in • lb).
8. Coloque de nuevo la carrocería posterior y el asiento.

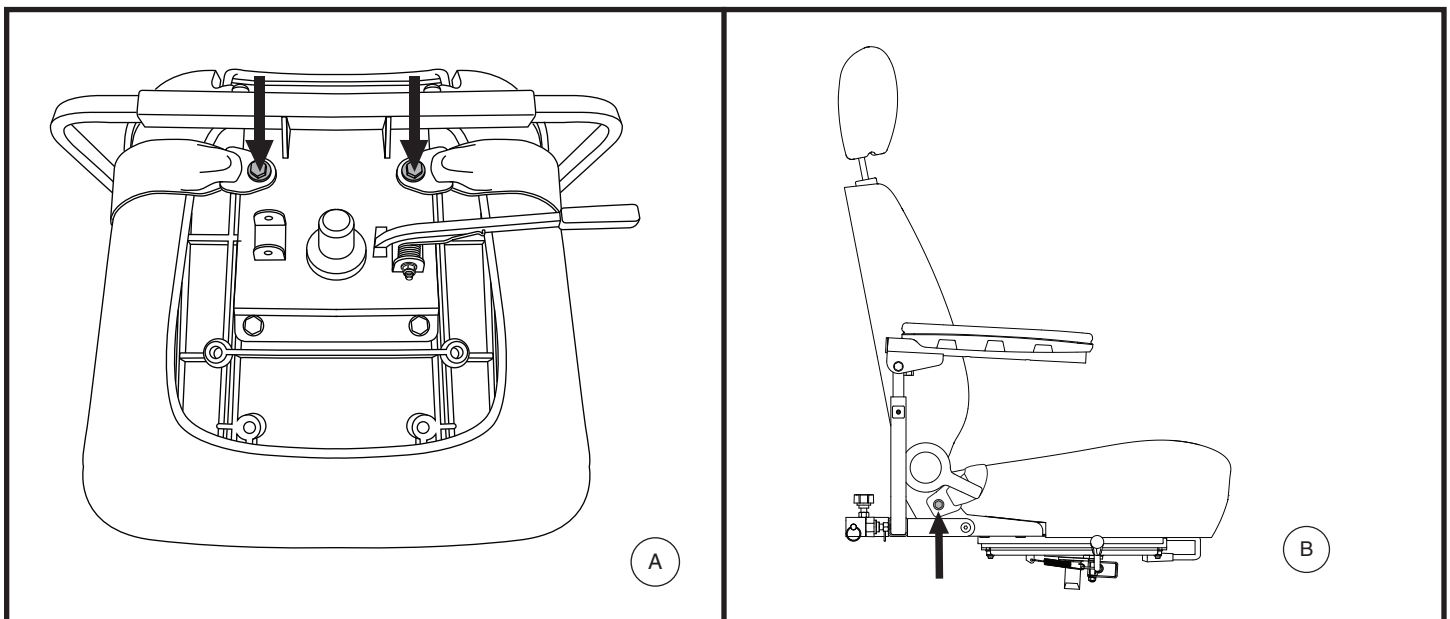


Figura 23. Tornillos del cinturón de seguridad

## CINTURÓN DE SEGURIDAD (OPCIONAL)

El asiento de su scooter puede estar equipado con un cinturón de seguridad, similar al de los automóviles, que ayuda a mejorar el confort del usuario (fig. 23). La función del cinturón de seguridad es evitar que se deslice hacia delante o abajo en el asiento. El cinturón no está diseñado para limitar los movimientos.



**¡ADVERTENCIA!** Este cinturón no está pensado para ser utilizado dentro de un automóvil. El scooter tampoco podrá utilizarse como si fuera el asiento de otro vehículo. Las personas que viajen en un automóvil deben utilizar los cinturones diseñados por el fabricante.

**¡ADVERTENCIA!** Deberá llevar abrochado el cinturón de seguridad en todo momento. No deje que el cinturón cuelgue o arrastra por el suelo ya que podría enredarse con las ruedas.

## V. OPTIMIZAR EL CONFORT

### Para instalar el cinturón de seguridad (en caso necesario):

1. Retire el asiento de su scooter.
2. Dé la vuelta al asiento para ver la parte inferior del mismo (fig. 23).
3. Utilice una llave inglesa para quitar los dos tornillos traseros en la parte más exterior de la estructura del asiento.
4. Introduzca el tornillo a través de las extremidades correspondientes del cinturón de seguridad y luego vuelva a colocar los tornillos en la estructura del asiento.
5. Apriete los tornillos.

### Cinturón de seguridad con hebilla de metal

#### Para ajustar el cinturón de seguridad y mejorar el confort del usuario:

1. Introduzca la aleta metálica del lado derecho del cinturón en el cuadro de plástico del lado izquierdo y presione hasta oír un clic (fig. 24).
2. Tire de la correa del lado derecho del cinturón hasta encontrar una posición segura y cómoda que no le apriete demasiado.

#### Para desabrochar el cinturón de seguridad:

1. Presione el mecanismo de botón en la carcasa plástica.

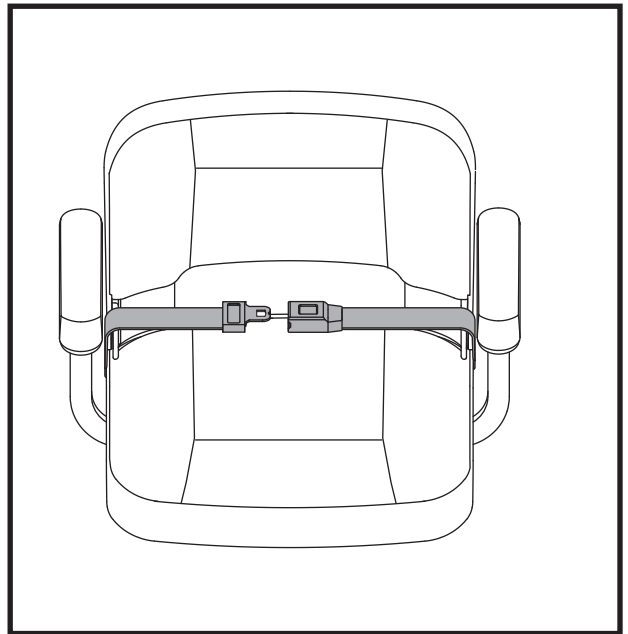


Figura 24. Cinturón de seguridad con hebilla de metal

**¡OBLIGATORIO! Antes de cada utilización, asegúrese de que el cinturón de seguridad esté bien sujeto al scooter y esté adaptado para el usuario.**



**¡OBLIGATORIO! Antes de utilizar el scooter, compruebe que el cinturón de seguridad no tenga ninguna pieza dañada, demasiado gastada, con polvo o suciedad, y que el pestillo de cierre esté en perfectas condiciones. Si encuentra algún problema, póngase en contacto con su proveedor autorizado para su mantenimiento o reparación.**

# VI. DESMONTAJE/MONTAJE

## DESMONTAJE

Puede desmontar el scooter en varias piezas: el asiento, la sección posterior, la sección frontal, la cesta, el paquete de baterías y la cubierta de las baterías (fig. 25). No se necesitan herramientas para montar o desmontar el scooter. Para el montaje o desmontaje, coloque el scooter sobre una superficie plana y seca, y con suficiente espacio para poder trabajar—aproximadamente 1.5 metros (cinco pies) en todas las direcciones. Recuerde que algunas piezas del scooter son pesadas y puede que necesite ayuda para levantarlas.



**¡ADVERTENCIA! No levante pesos encima de sus capacidades físicas. En caso necesario, pida ayuda para montar o desmontar su scooter.**

**ADVERTENCIA! No levante el asiento o scooter cogiéndolo por los reposabrazos, ya que pueden girar sobre su eje y hacerle perder el control de la silla.**

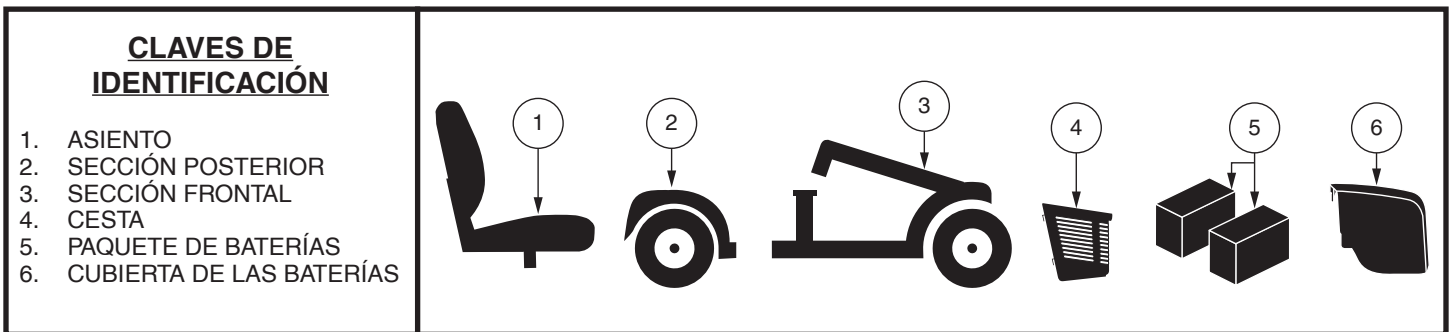


Figura 25. Componentes del Scooter

## PROCEDIMIENTO PARA EL DESMONTAJE

1. Saque la llave de la cerradura de contacto. *Para modelo 104*, bloquee el manillar en su posición frontal recta apretando el pomo regulador y girándolo 90° en sentido horario (fig. 26). Para poder bloquear el manillar, la rueda frontal debe mirar hacia delante.
2. Para quitar el asiento del scooter, tire de él hacia arriba. Si encuentra alguna resistencia, afloje la palanca de rotación del asiento y gire el asiento adelante y atrás mientras lo levanta.
3. Retire el paquete de baterías tirando de él hacia arriba y separándolo del scooter (fig. 13).
4. Desconecte la cincha de amarre de las batería (fig. 14).
5. Desconecte el cable de batería (fig. 14).
6. Retire el paquete de baterías tirando de él hacia arriba y separándolo del scooter.



**¡ADVERTENCIA! Si no desenchufara ambos cables de batería antes de separar las secciones delantera y trasera podría provocar daños permanentes en su scooter.**

7. *Para models 104 y 710ZT*, es posible que también deba desconectar los arneses del motor/delantero a trasero cable de conexión (fig. 14).



**¡ADVERTENCIA! Si no desenchufara ambos cables de conexión frontal posterior antes de separar las secciones delantera y trasera podría provocar daños permanentes en su scooter.**

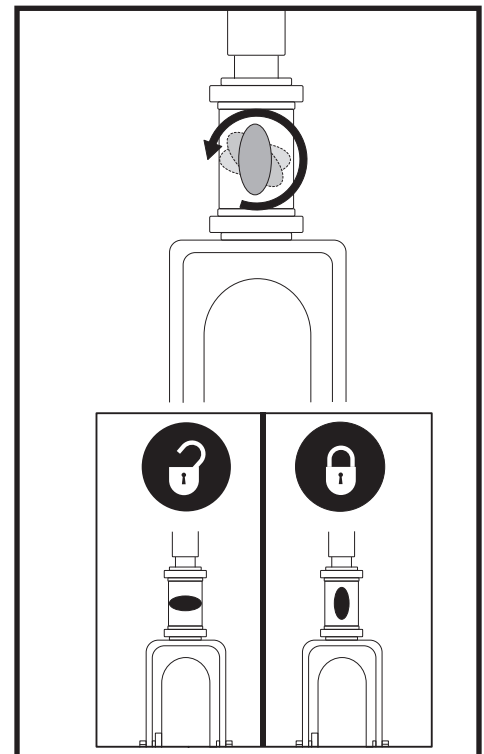


Figura 26. Pomo regulador (Modelo 104 solo)

**NOTA:** Antes de intentar desmontar la estructura, consulte el Cuadro de características generales en la página 86 para saber si su Scooter viene equipado con una palanca de extracción o con una chaveta de bloqueo.

# VI. DESMONTAJE/MONTAJE

## SEPARACIÓN DE LA ESTRUCTURA

1. Coloque las ruedas frontales mirando recto hacia delante.
2. Tras haber retirado el asiento y el paquete de baterías (consulte el Procedimiento para el desmontaje en la página anterior), baje el manillar y apriete el pomo regulador (**fig. 18 o 26**).

**NOTA:** *El manillar pivotante está equipado con un mecanismo que bloqueará las ruedas frontales cuando el manillar esté completamente bajado.*

3. Quite la chaveta de bloqueo, *Modelo 104 sólo* (**fig. 27**).
4. Levante la palanca de extracción, (**O, levante la torre del asiento para modelo 104**) y con cuidado deje caer la sección posterior hacia atrás, hasta que los enganches de la estructura se desprendan del tubo inferior.
5. Separe con cuidado las dos secciones del scooter.

## MONTAJE

1. Coloque las secciones frontal y posterior de su scooter como se muestra en la (**fig. 27**).
2. Utilice la palanca de extracción para levantar la sección frontal a la vez que alinea los enganches de la sección frontal con el tubo inferior de la sección trasera (**fig. 27**).
3. Una vez colocados los enganches sobre el tubo inferior, baje la sección frontal y a la vez haga girar la sección posterior. De esta forma, bloqueará automáticamente en su sitio la estructura de los todos modelos excepto 104. *Para modelo 104*, para completar el procedimiento de ensamblaje deberá volver a colocar la chaveta de bloque.
4. Suba el manillar y apriete completamente el pomo regulador.
5. Vuelva a colocar las baterías.
6. Conecte los cables de ambas baterías (**fig. 14**).
7. Vuelva a colocar la cincha de amarre. *Para modelo 104 y 710ZT*, asegúrese de volver a conectar los cables de batería y de conexión frontal-posterior.
8. Vuelva a colocar la carrocería trasera.
9. Coloque el asiento y gírelo hasta que que debloqueado en su sitio.



**¡ADVERTENCIA!** Tras el montaje, compruebe siempre que el pomo regulador del manillar esté des bloqueado.

### CLAVES DE IDENTIFICACIÓN

1. ENGANCHE
2. TUBO INFERIOR

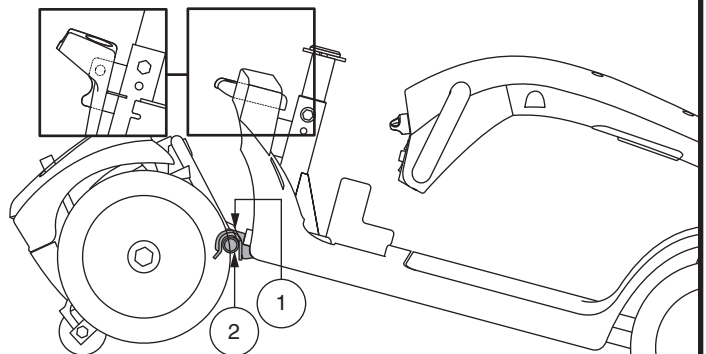
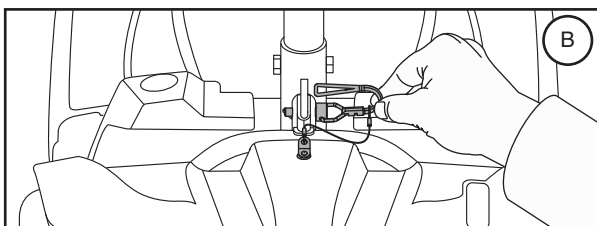
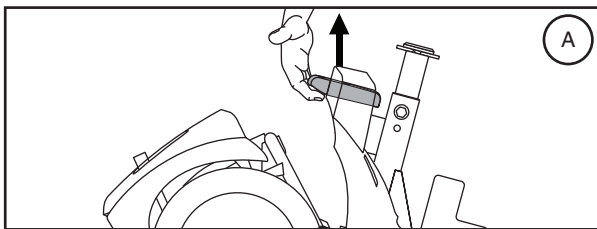


Figura 27. Palanca de extracción (Estilo A) y Chaveta de bloqueo (Estilo B)

# VII. RESOLUCIÓN DE PROBLEMAS

Los dispositivos electromecánicos pueden tener a veces pequeños problemas. Sin embargo, la mayoría de ellos pueden resolverse utilizando un poco de lógica y sentido común. Muchos de estos problemas o fallos ocurren porque las baterías no están completamente cargadas o porque están muy gastadas y ya no pueden cargarse.

## CÓDIGOS DE DIAGNÓSTICO

Los códigos de sonido de su scooter están diseñados para ayudarle a resolver de forma rápida y sencilla problemas básicos en su vehículo. Un código de diagnóstico emitirá un pitido y/o parpadea en caso de que se desarrolle una de las condiciones que se enumeran a continuación. Dependiendo del modelo que tenga, su scooter se comunicará con usted mediante alguno de los siguientes métodos:

1. El código de diagnóstico comenzó, dependiendo del modelo, con una serie de pitidos rápidos y/o los destellos siguieron directamente de pitidos más lentos y/o los parpadeos que indican el código real. El código sólo se emite un pitido y/o parpadea una vez. Para repetir el código de diagnóstico, retire la llave, luego vuelva a colocarla y gírela a la posición "on", **O**
2. Oirá el código de diagnóstico que identifica el problema, una pausa, y luego la repetición del mismo código. El código seguirá repitiéndose del mismo modo hasta que apague el scooter.

**NOTA:** El scooter sólo volverá a funcionar si ha resuelto el problema indicado por el código de diagnósticos y ha apagado y luego encendido el mismo.

CÓDIGOS	PROBLEMA	SOLUCIÓN
■ (1)	El voltaje de las baterías es bajo.	Recargue las baterías lo antes posible.
■ ■ (2)	El voltaje de las baterías es demasiado bajo.	Recargue las baterías.
■ ■ ■ (3)	El voltaje de las baterías es demasiado alto para manejar el vehículo, o tiene el cargador todavía conectado al puerto del cargador externo.	Desenchufe el cargador y/o gire la llave a la posición OFF, y luego de nuevo a la posición ON.
■ ■ ■ ■ (4)	Expiración del temporizador (límite de corriente).	Apague el scooter durante unos minutos y luego vuélvalo a encender.
■ ■ ■ ■ ■ (5)	Que la palanca manual esté en la posición manual.	Saque la llave de la cerradura de contacto, lleve la palanca de modo manual a la posición de conducción y vuelva a encender el scooter.
■ ■ ■ ■ ■ ■ (6)	La palanca aceleradora no estaba en su posición central en el momento del encendido.	Compruebe que las baterías estén completamente cargadas. Si es así, lleve la palanca aceleradora a su posición central, apague el scooter y luego vuélvalo a encender.
■ ■ ■ ■ ■ ■ ■ (7)	Error del potenciómetro de velocidad.	Pida ayuda a su proveedor autorizado.
■ ■ ■ ■ ■ ■ ■ ■ (8)	Error en el voltaje del motor.	Pida ayuda a su proveedor autorizado.
■ ■ ■ ■ ■ ■ ■ ■ ■ (9)	Otros errores internos.	Pida ayuda a su proveedor autorizado.

Figura 28. Modellos con consola del manillar

## VII. RESOLUCIÓN DE PROBLEMAS

### ¿Qué si todos los sistemas en mi scooter parecen estar “muerto”?

- Compruebe que la llave esté en la posición “on”.
- Compruebe que las baterías estén completamente cargadas.
- Apriete el botón del disyuntor principal/reinicio. Capítulo II, “Su Scooter.”
- Compruebe que los cables de batería y de conexión frontal-posterior estén conectados correctamente.
- Asegúrese de que el temporizador de desconexión no haya sido activado. Capítulo IV, “Funcionamiento”.

### ¿Qué hago si mi scooter no se mueve al pulsar la palanca aceleradora?

- Cuando la palanca de modo manual está hacia delante, los frenos están desactivados y la energía no llega al conjunto del motor/transeje.
- Para volver a un funcionamiento normal, empuje hacia atrás la palanca manual, apague el scooter y luego vuélvalo a encender.

### ¿Qué hacer si el disyuntor principal salta repetidamente?

- Si el disyuntor principal interrumpe la corriente a menudo, consulte a su proveedor autorizado.
- Cargue las baterías del scooter con más frecuencia. Capítulo III, “Baterías y su carga”.
- Consulte el capítulo III, “Baterías y su carga” o el “Hoja de características del producto” para conocer el tipo de baterías de su scooter.

### El indicador de batería cae en picado y el motor hace extraños ruidos cuando pulso la palanca aceleradora:

- Cargue completamente las baterías del scooter. Capítulo III, “Baterías y su carga”.

Si encontrara otro problema que no pudiera resolver, póngase en contacto con su proveedor autorizado para obtener la información, el mantenimiento y el servicio necesarios.

## VIII. CUIDADO Y MANTENIMIENTO

Su scooter necesita un cuidado y un mantenimiento mínimos. Si no se siente competente para proporcionar a su scooter los cuidados citados a continuación, pida cita a su proveedor autorizado para que realice un chequeo de inspección y mantenimiento. Deberá realizar revisiones y controles periódicos en las siguientes zonas.

### SÓLIDO CONTROL DE SEGURIDAD DE LOS NEUMÁTICOS

Inspeccione regularmente el desgaste en las ruedas de su scooter.

### CAMBIO DE RUEDAS – NEUMÁTICOS SÓLIDOS

Su scooter está equipado con ruedas macizas. En caso de daño o desgaste excesivo en una rueda, deberá cambiar la rueda entera. Consulte a su proveedor autorizado para obtener más información sobre el cambio de ruedas para su scooter.



**¡ADVERTENCIA!** Las ruedas del scooter únicamente podrán ser mantenidas o reemplazadas por un proveedor autorizado o un técnico cualificado.

**¡ADVERTENCIA!** Asegúrese de haber quitado la llave de la cerradura de contacto y de que el scooter no esté modo manual antes de realizar esta acción.

Para instalar la rueda de forma rápida y segura, siga estos sencillos pasos:

1. Saque la llave de la cerradura de contacto.
2. Levante el lateral del scooter del que vaya a retirar la rueda. Coloque unos bloques de madera bajo la estructura para levantar el scooter.
3. Retire la tuerca de la rueda motriz del cubo (fig. 29).
4. Retire la rueda motriz de su eje.
5. Coloque la rueda en su eje. Asegúrese de que la llave esté en la ranura del eje.



**¡ADVERTENCIA!** A la hora de colocar una rueda, asegúrese de que la llave del eje esté instalada correctamente en la ranura del eje. La colocación incorrecta de una rueda hará que el sistema de frenos permanezca desactivado, lo que podría ocasionarle lesiones o daños en el producto.

6. Coloque de nuevo la tuerca de la rueda en el cubo y apriete.



**¡ADVERTENCIA!** Asegúrese de volver a colocar y apretar correctamente tuercas y arandelas.

7. Vuelva a instalar la tapa de la rueda.
8. Retire los bloques bajo el scooter.

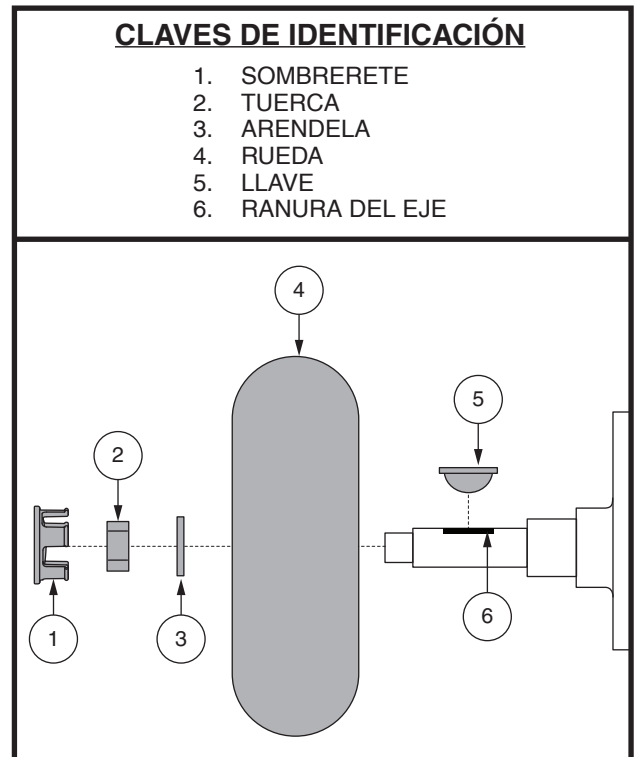


Figura 29. Extracción de la rueda de conducción



# VIII. CUIDADO Y MANTENIMIENTO

## PRESIÓN DE LOS NEUMÁTICOS

- Si está equipado con ruedas neumáticas, mantenga en todo momento la presión en psi/bares/kPa indicada en cada rueda.



**¡ADVERTENCIA!** Es importante mantener en todo momento la presión en psi/bares/kPa indicada en cada rueda neumática. No infle excesivamente ni escasamente las ruedas. Una baja presión neumática puede provocar una pérdida de control, y unos neumáticos demasiado inflados pueden reventar. El incumplimiento de observar en todo momento la presión indicada (psi/bares/kPa) en las ruedas neumáticas podría ocasionar daños en sus ruedas o neumáticos.

- Inspeccione regularmente el desgaste en las ruedas de su scooter.

## CAMBIO DE RUEDAS DE LOS NEUMATICOS

Si su scooter tiene ruedas neumáticas y ha pinchado, haga reemplazar la cámara. Consulte a su proveedor autorizado para obtener más información sobre el cambio de ruedas para su scooter.

**¡ADVERTENCIA!** Las ruedas del scooter únicamente podrán ser mantenidas o reemplazadas por un proveedor autorizado o un técnico cualificado.



**¡ADVERTENCIA!** Asegúrese de haber quitado la llave de la cerradura de contacto y de que el scooter no esté en modo manual antes de realizar esta acción.

**¡ADVERTENCIA!** Al cambiar una rueda, extraiga sólo la tuerca central y la arandela, y luego retire la rueda. En caso necesario, desinfe el neumático completamente para evitar que explote.

Para instalar la rueda de forma rápida y segura, siga estos sencillos pasos:

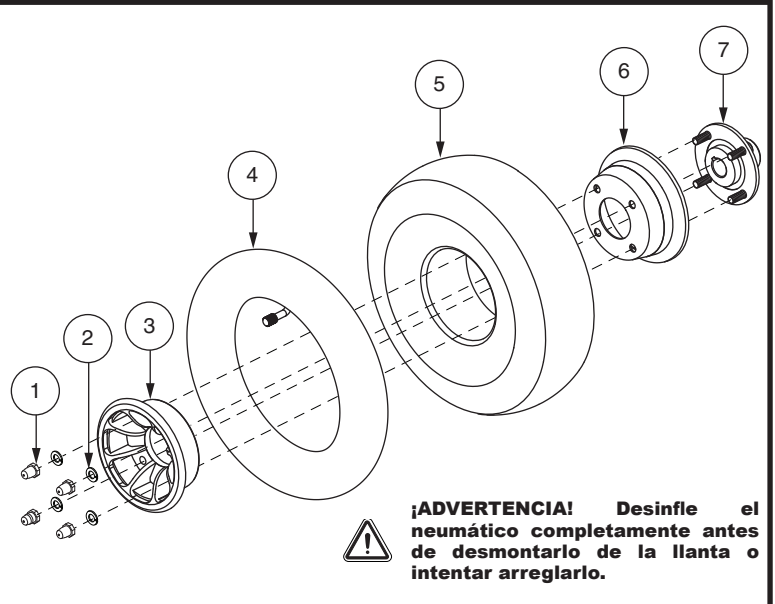
1. Saque la llave de la cerradura de contacto y asegúrese de que el Scooter no esté en modo manual.
2. Levante el lateral del scooter del que vaya a retirar la rueda. Coloque unos bloques de madera bajo la estructura para levantar el scooter.
3. Deinfe el neumático completamente (en caso de ruedas neumáticas).
4. Retire la tuerca de la rueda motriz del cubo (fig. 29).
5. Retire la rueda motriz de su eje.
6. Quite las tuercas y las arandelas y separe las dos coronas (fig. 30).
7. Quite la antigua cámara de la rueda neumática y reemplácela por una nueva cámara (fig. 30).
8. Vuelva a atornillar las dos llantas.
9. Coloque la rueda en su eje. Asegúrese de que la llave esté en la ranura del eje (fig. 30).



**¡ADVERTENCIA!** Si la llave del eje no estuviera colocada correctamente en su ranura al montar la rueda, podría provocar una avería en los frenos electrónicos, lesiones físicas o daños en el producto.

### CLAVES DE IDENTIFICACIÓN

1. TUERCAS
2. ARENDELAS
3. MITAD FRONTAL DE LA LLANTA
4. CAMARA
5. NEUMATICO
6. MITAD TRASERO DE LA LLANTA
7. CUBO DE RUEDA



**¡ADVERTENCIA!** Desinfe el neumático completamente antes de desmontarlo de la llanta o intentar arreglarlo.

Figura 26. Ruedas neumáticas desmontaje/montaje

## VIII. CUIDADO Y MANTENIMIENTO

10. Coloque de nuevo la tuerca de la rueda en el cubo y apriete.



**¡ADVERTENCIA! Asegúrese de volver a colocar y apretar correctamente tuercas y arandelas.**

11. Infle las ruedas neumáticas a la presión de aire en psi/bares/kPa indicada en cada rueda.

12. Retire los bloques bajo el scooter.

### SUPERFICIES EXTERIORES

Aplique ocasionalmente un acondicionador de caucho o vinilo en los parachoques, neumáticos y molduras.



**¡ADVERTENCIA! No aplique el acondicionador de caucho o vinilo en el asiento de vinilo del scooter ni en la rodadura de los neumáticos ya que se volverían peligrosamente resbaladizos.**

### LIMPIEZA Y DESINFECCIÓN

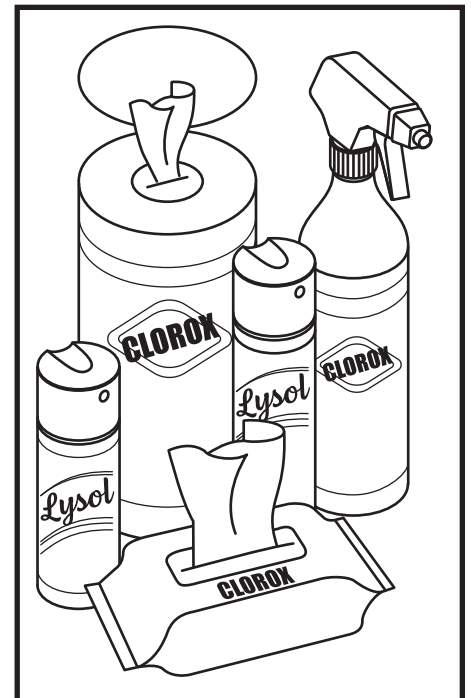
Se deben tomar precauciones al limpiar equipos / dispositivos para reducir el riesgo de propagación de infecciones. Esto es para limitar la propagación de enfermedades y otros materiales potencialmente infecciosos (OPIM) (componentes sanguíneos).

- Utilice un paño húmedo y suave y un limpiador no abrasivo para limpiar las partes plásticas y de metal del scooter. No use productos que puedan rayar la superficie del scooter.
- En caso necesario, limpie su producto con un desinfectante apropiado. Antes de aplicarlo, asegúrese de que pueda utilizar el desinfectante en su producto.

### CÓMO LIMPIAR / DESINFECTAR EL EQUIPO:

**SUPERFICIES DURAS/BLANDAS** (Cubiertas de plástico, armazón de metal, tela del asiento, neumáticos, apoyabrazos y alfombrillas para los pies, según corresponda)

- Para superficies duras / blandas, elimine la contaminación visible si está presente.
  - Para plástico y metal, use el aerosol / toallitas desinfectantes Lysol®/ Clorox® y otros productos desinfectantes calificados para el SARS-CoV-2.
  - Para otras superficies de vinilo, limpie con toallitas desinfectantes aptas para vinilo o soluciones
    - Desinfectantes sugeridos
      - Desinfectante Birex® SE, Desinfectante Bleach-Rite® Aerosol, Citrace® Germicida
      - Desinfectante limpiador hospitalario en aerosol Dispatch® con blanqueador
      - Solución de lejía diluida (dilución al 10% o menos); Nota: es adecuada la lejía con un factor de pH entre 7 y 9; un producto con un pH de 10,5 o superior puede dañar la integridad de la superficie del vinilo durante un período prolongado período de tiempo
    - Toallitas desinfectantes
      - Toallitas Clorox, Green Works, PDI Sani-Cloth HB Lysol, Oxivir, Virox y CaviWipes.
  - Para la limpieza de llantas, limpie con limpiadores de llantas/ruedas disponibles en el mercado



## VIII. CUIDADO Y MANTENIMIENTO

**ELECTRÓNICA** (controlador de joystick, pantallas mejoradas, pantallas táctiles, controles remotos, teclados, teléfonos celulares y tabletas, según corresponda)

- Para la electrónica, elimine la contaminación visible si está presente.
  - Apague el dispositivo y desconecte las baterías.
  - Nunca rocíe ningún líquido directamente en el (los) producto(s).
  - Humedezca un paño de microfibra con una mezcla de alcohol isopropílico al 70% / solución de agua al 30%. La tela debe estar húmedo, pero no goteando ni excesivamente mojado. Seque bien las superficies para evitar la acumulación de líquidos y antes de encajonar.

**¡ADVERTENCIA! Siga todas las instrucciones de seguridad para el uso adecuado del desinfectante y / o agente de limpieza antes de aplicarlo a su producto. El incumplimiento puede resultar en irritación de la piel o deterioro prematuro de la tapicería y / o acabados de las scooters.**

**¡ADVERTENCIA! Nunca use ningún agente de limpieza o desinfección, solvente, lubricante o cualquier otro producto en las pastillas de freno, discos de freno, transeje, motor/caja de cambios de su producto de movilidad. Si lo hace, puede dañar los componentes y/o hacer que no funcionen correctamente. Se pueden producir daños a la propiedad y/o lesiones personales.**



**¡ADVERTENCIA! Nunca lave su scooter con una manguera ni la coloque en contacto directo con el agua. Su scooter tiene una cubierta de plástico ABS pintada que permite limpiarla fácilmente con un paño húmedo.**

**¡ADVERTENCIA! Nunca use productos químicos para limpiar un asiento de vinilo, ya que pueden hacer que el asiento se vuelva resbaladizo o se seque y se agriete. Use agua con jabón y seque bien el asiento.**

### CONEXIONES DE LOS BORNES DE BATERÍA

- Asegúrese de que las conexiones de los bornes estén tensas y sin corrosión.
- Las baterías deben descansar horizontalmente en su compartimento.
- Los terminales de la batería deben estar orientados en la dirección correcta, de acuerdo con el diagrama de cableado de la batería.

### CABLEADO ELÉCTRICO

- Compruebe regularmente todas las conexiones cableadas.
- Verifique regularmente el aislamiento de los cables, incluido el cable del cargador, para descartar cualquier desgaste o daño.
- Pídale a su proveedor autorizado que repare o cambie los conectores o material aislante dañado antes de volver a utilizar su scooter.



**¡ADVERTENCIA! Si bien el scooter ha superado todas las pruebas requeridas de resistencia a líquidos, deberá evitar que los componentes eléctricos se humedezcan (exposición directa al agua o fluidos corporales e incontinencia). Verifique los comp. eléctricos y, en caso de encontrar signos de corrosión, sustitúyalos por otros nuevos.**



**¡ADVERTENCIA! No tire directamente de los cables eléctricos para desconectarlos del scooter. Sujete siempre por el conector del cable para evitar cualquier daño a la hora de desenganchar los cables.**

### CONTROLES DIARIOS

- Con la alimentación apagada, compruebe el acelerador. Asegúrese de que no esté torcida o dañada y vuelva a su posición central al soltarla. Compruebe visualmente que la base de caucho de la palanca no se encuentre dañada. No la manipule ni intente repararla. En caso de problemas, consulte con su proveedor autorizado.
- Inspeccione el cable de timón. Asegúrese de que no esté deshilachado, con cortes o cables a la vista. En caso de problemas, consulte con su proveedor autorizado.

## VIII. CUIDADO Y MANTENIMIENTO

- Compruebe que las ruedas macizas no estén abolladas. Las abolladuras pueden afectar a la estabilidad de la silla.
- Compruebe que no haya piezas flojas, puntos de tensión u otros daños en los reposabrazos. En caso de problema, consulte con su proveedor.
- Compruebe los frenos. Esta prueba debe realizarse sobre una superficie llana, con la scooter levantada a unas 36 pulgadas del suelo.

### Para comprobar los frenos:

1. Encienda el regulador y ajuste la palanca a la velocidad más baja.
2. Transcurrido un segundo, compruebe el indicador de batería. Asegúrese de que sigue encendido.
3. Halar lentamente la acelerador hacia delante hasta oír el clic de los frenos electromagnéticos. Suelte inmediatamente la acelerador. Oirá el accionamiento de los frenos unos segundos después del movimiento de la acelerador. Repetir esta prueba tirando de la válvula reguladora en la dirección opuesta.

### CONTROLES SEMANALES

- Desconecte el mando y el cable del cargador del panel eléctrico e inspecciónelos. Compruebe que no haya corrosión. Compruebe que no haya corrosión. Contacte con su proveedor autorizado en caso necesario.
- Compruebe que el inflado de los neumáticos sea el correcto, Si están equipados con neumáticos. Si las ruedas no retienen el aire, póngase en contacto con su proveedor para que le cambien la cámara.

### CONTROLES MENSUALES

- Compruebe que las ruedas antivuelco no rozan el suelo cuando está manejando la silla.
- Compruebe el nivel de desgaste de las ruedas antivuelco y reemplácelas si es necesario.
- Compruebe el desgaste de las ruedas motrices. En caso necesario, consulte con su proveedor autorizado.
- Mantenga su scooter limpio y libre de objetos extraños como barro, pelos, comida o bebida.

### CONTROLES ANUALES

Diríjase a su proveedor autorizado para efectuar las revisiones anuales. Así, tendrá la seguridad de que su scooter sigue funcionando correctamente, además de prevenir posibles complicaciones.

### CARROCERÍA DE PLÁSTICO ABS

Si su scooter tiene un protector de carrocería con un **acabado brillante**, el protector de carrocería ha sido rociado con un recubrimiento sellador claro. Puede aplicar un recubrimiento ligero de cera para automóvil para ayudar a retener su apariencia brillante. Si su scooter tiene un protector de carrocería con un **acabado mate**, use **SÓLO** productos desarrollados para pinturas con acabado mate. No use cera, spray para detalles, ArmorAll®, ni ningún otro producto hecho para pinturas brillantes.



**¡ADVERTENCIA! Escoja cuidadosamente el producto correcto para proteger el acabado del(los) protector(es) de su scooter. En los protectores con un acabado mate, SÓLO deben usarse productos desarrollados para pintura con acabado mate. No tomar en cuenta esta advertencia puede terne como consecuencia un daño en el acabado mate de la pintura del protector.**

### COJINETES DEL EJE Y CONJUNTO MOTOR/TRANSEJE

Estos elementos vienen prelubricados y sellados, y no necesitan más lubricación.

### ESCOBILLAS DE MOTOR

Las escobillas de motor están situadas dentro del conjunto de motor y transeje. Su proveedor autorizado deberá revisarlas periódicamente para suplir posibles desgastes.

### CONSOLA, CARGADOR/SIST. ELÉCTRICO

- Mantenga siempre estas zonas sin humedad.
- Si alguno de estos componentes se humedeciera, déjelo secar completamente antes de volver a utilizar su scooter.

## VIII. CUIDADO Y MANTENIMIENTO

### CAMBIO DE FUSIBLES

Siga el siguiente procedimiento para cambiar un fusible:

1. Retire el fusible, extrayéndolo de su ranura.
2. Examine el fusible para comprobar si está fundido (fig. 31).
3. Coloque un nuevo fusible del tipo apropiado.



**¡ADVERTENCIA! El nuevo fusible debe ser del mismo tipo y características que el anterior. De lo contrario, podría provocar daños en el sistema eléctrico.**

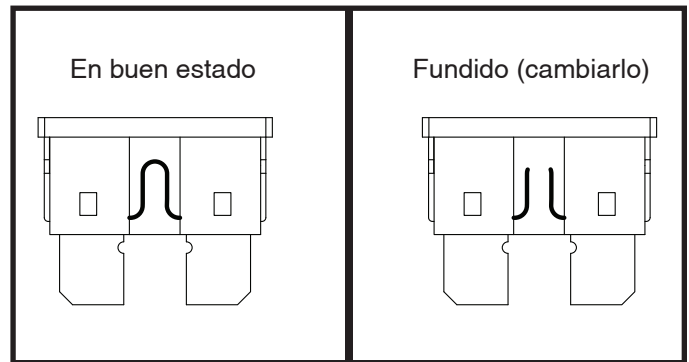


Figura 31. Cambio de fusible

### CAMBIO DE LAS CONTRATUERCAS DE NYLON

Toda contratuerca de nylon que haya sido retirada con motivo del mantenimiento periódico, el montaje o desmontaje del scooter, deberá ser reemplazada por una nueva. Las contratuercas de nylon no pueden volver a utilizarse ya que se dañaría la inserción de nylon, provocando un ajuste menos seguro. Dispone de contratuercas de nylon de recambio en su ferretería local o puede conseguirlas a través de su proveedor autorizado.

### ALMACENAMIENTO

Si planea no utilizar su scooter por un periodo largo de tiempo, le aconsejamos que:

- Antes de guardar su scooter, cargue completamente las baterías.
- Extraiga el paquete de baterías del scooter.
- Guarde el scooter en un lugar templado y seco. No deje que las baterías se congelen.
- Evite guardar el scooter en lugares sujetos a temperaturas extremas.
- Aunque su scooter puede soportar temperaturas de almacenamiento a corto plazo entre -40°F (-40°C) y 149°F (65°C), se recomienda que las temperaturas de almacenamiento a largo plazo estén entre -13°F (-25°C) y 122°F (50°C). Las condiciones ideales de almacenamiento son 68°F (20°C) a 70°F (21°C) siempre que sea posible, pero sabemos que no siempre es factible debido a los diferentes climas y entornos.



**¡ADVERTENCIA! Proteja siempre las baterías de temperaturas heladas y nunca cargue una batería congelada. El cargado de una batería congelada puede provocar daños en la batería.**

Las baterías que se dejan descargar con frecuencia, no se cargan con regularidad, se guardan bajo temperaturas extremas o antes de haberlas recargado completamente pueden dañarse de forma permanente, afectando al funcionamiento del producto y limitando la vida de las mismas. Aunque guarde el scooter durante largos periodos de tiempo, nosotros recomendamos cargar las baterías periódicamente para garantizar un rendimiento óptimo.

Si va a guardar el scooter durante un largo tiempo, coloque varios cartones bajo la estructura del vehículo para levantarlo del suelo. Así, las ruedas no tienen que soportar todo el peso y se reduce el riesgo de abolladuras en las zonas de los neumáticos en contacto con el suelo.

### ELIMINACIÓN Y RECICLAJE DEL SCOOTER

Para deshacerse de su scooter deberá tener en cuenta la normativa aplicable en su país. Póngase en contacto con la agencia local de eliminación de residuos o con su proveedor autorizado para saber cómo deshacerse correctamente del paquete, los componentes metálicos y plásticos, el sistema electrónico, las baterías, así como los materiales de neopreno, silicona y poliuretano.



**¡ADVERTENCIA! Las bolsas de plástico son un peligro de asfixia. Deseche las bolsas de plástico adecuadamente y no permita que los niños jueguen con ellas.**

# NOTES



*Please fill out the following information for quick reference:*

*S.V.P. veuillez compléter les informations ci dessous:*

*Por favor, rellene la siguiente información para tener siempre a mano:*

Provider:

Détaillant:

Proveedor: \_\_\_\_\_

Address:

Adresse:

Dirección: \_\_\_\_\_

Telephone:

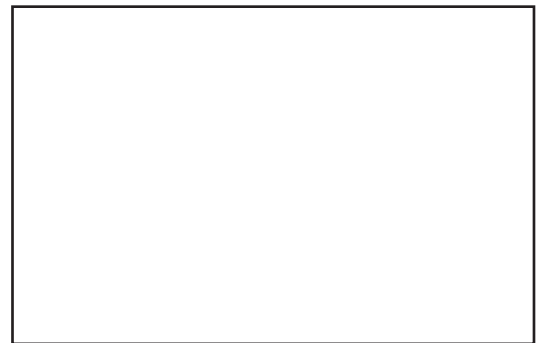
Téléphone:

Número de teléfono: \_\_\_\_\_

Purchase Date:

Date d'achat:

Fecha de compra: \_\_\_\_\_



Serial #/série #/serie #

UDI Label (if applicable)  
UDI Étiquette (le cas échéant)  
UDI Etiqueta (si es aplicable)