

Buzzaround Seat Post Quick Start Guide

Models (GB107, GB117, GB147, GB118, GB148, GB119, GB149)

- 1 Remove the seat post from its packaging. See figure 1.

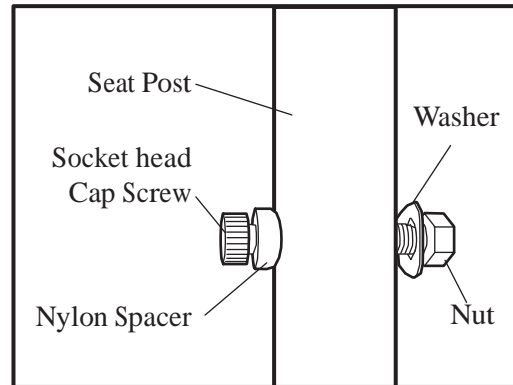


Fig. 1 - Upper Seat Post Assembly (Shown as packaged)

- 2 Remove all hardware from the seat post and retain for assembly.

Note the different size openings on the seat pedestal on the scooter. See Figures 2 and 3.

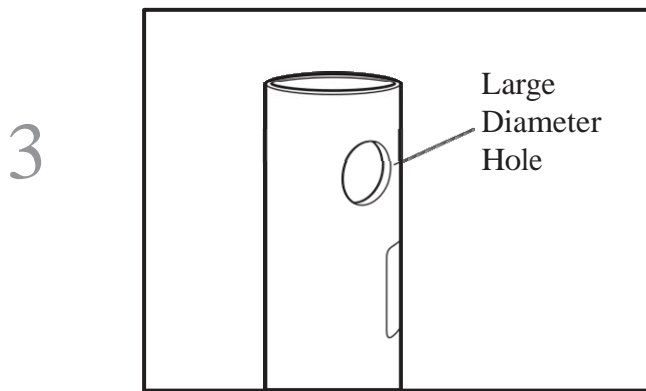


Fig. 2 - Seat Pedestal, on the Scooter

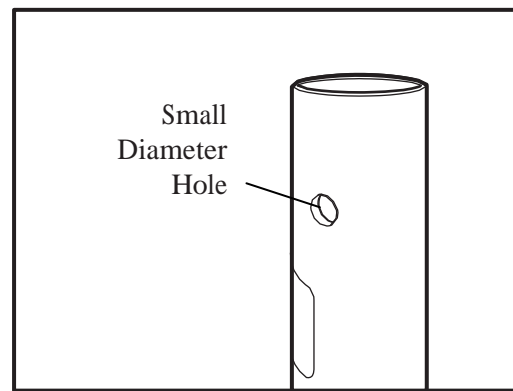


Fig. 3 - Seat Pedestal, on the Scooter

- 4 Place the upper seat post into the seat pedestal and align the holes for your desired height.

- 5 While holding the aligned upper seat post and seat pedestal, insert the socket head cap screw and nylon spacer into the large hole as shown in figure 4. Next, place the washer and nut onto the bolt and tighten bolt (M8 GR12.9) securely as shown in figure 5.

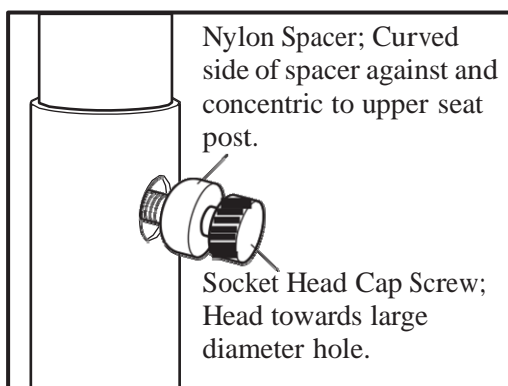


Fig 4. Seat Post Install, onto the Scooter

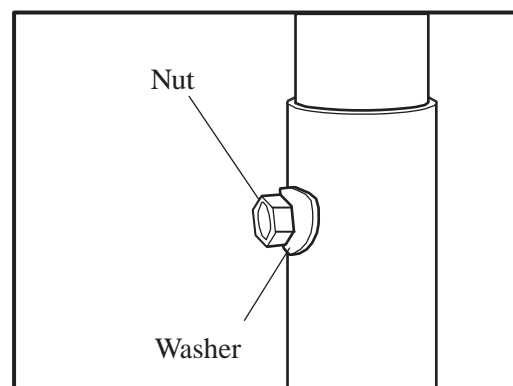


Fig 5. Seat Post Install, onto the Scooter