

## PRODUCT AND CONTACT INFORMATION:



Tel: 800.506.9901 • Fax: 435.787.2301  
2410 Heritage Dr. • Logan • UT 84321  
[sales@stander.com](mailto:sales@stander.com)  
[www.stander.com](http://www.stander.com)

**English-** For assembly instructions and product information, visit the following website:  
[www.stander.com/product-manuals](http://www.stander.com/product-manuals)

**Español-** Para obtener instrucciones de montaje e información del producto, visite el siguiente sitio web:  
[www.stander.com/product-manuals](http://www.stander.com/product-manuals)

**Deutsch-** Montageanleitungen und Produktinformationen finden Sie auf der folgenden Website:  
[www.stander.com/product-manuals](http://www.stander.com/product-manuals)

**Français-** Pour obtenir des instructions d'assemblage et des informations sur le produit, visitez le site Web suivant: [www.stander.com/product-manuals](http://www.stander.com/product-manuals)

**Italiano-** Per le istruzioni di montaggio e le informazioni sul prodotto, visitare il seguente sito Web:  
[www.stander.com/product-manuals](http://www.stander.com/product-manuals)



## LIMITED WARRANTY

Stander, Inc. ("Stander") warrants to the original purchaser that the Product will be free from material defects in material or workmanship for 2 years from the date of purchase. This limited warranty applies only when the Product is used within the Product's specifications and is non-transferable and shall solely be applicable to the original purchaser.

In the event of a warranty claim, the original purchaser must notify Stander, during the warranty period, in writing of the alleged defect in workmanship or material and must ship the Product, along with the proof of purchase, to Stander.

All shipping costs must be paid by the original purchaser. Stander will not refund or pay for any shipping charges.

If Stander determines, upon its sole determination, that there is a material defect in material or workmanship of the Product, Stander will replace the Product and ship a replacement Product to the original purchaser.

The Limited Warranty does NOT apply to any Product:

- (1) Damaged during shipment.
- (2) Damaged due to unauthorized attachments, alterations, or modifications.
- (3) Damaged due to the failure to install the product in accordance with the instructions provided by Stander.
- (3) Damaged by the use of the Product for purposes other than those for which the Product was designed or intended; or
- (4) Damaged due to abuse, misuse, mishandling, neglect, misapplication, accident or abnormal use or storage.

STANDER MAKES NO WARRANTIES OTHER THAN THOSE EXPRESSLY SET FORTH HEREIN. ALL OTHER WARRANTIES, EXPRESS OR IMPLIED INCLUDING ALL (I) IMPLIED WARRANTIES OF MERCHANTABILITY OR FITNESS FOR A PARTICULAR PURPOSE, OR (II) IMPLIED WARRANTIES ARISING FROM ANY COURSE OF DEALING, USAGE OF TRADE, ADVERTISING OR PERFORMANCE OF PRODUCTS TO STANDARDS SPECIFIC TO THE COUNTRY OF IMPORT, ARE HEREBY EXPRESSLY DISCLAIMED.

THIS LIMITED WARRANTY IS THE FULL AND COMPLETE STATEMENT OF STANDER'S LIMITED WARRANTY OF THE PRODUCT, CONSTITUTES THE ENTIRE AND COMPLETELY INTEGRATED LIMITED WARRANTY OF STANDER, SUPERSEDES ALL OTHER STATEMENTS, AND CANNOT BE VARIED BY ANY ORAL OR OTHER WRITTEN STATEMENT.

THE EXCLUSIVE REMEDY FOR BREACH OF THIS LIMITED WARRANTY IS TO RETURN THE PRODUCT FOR THE REPLACEMENT OF THE NONCONFORMING PRODUCT.

UNDER NO CIRCUMSTANCES SHALL STANDER, INC. BE LIABLE FOR ANY SPECIAL, INCIDENTAL, EXEMPLARY, PUNITIVE, CONSEQUENTIAL DAMAGES, OR OTHER DAMAGES, BASED UPON BREACH OF THIS LIMITED WARRANTY, BREACH OF CONTRACT, OR STRICT LIABILITY.

Some states do not allow limitations on how long an implied warranty lasts. This warranty gives you specific legal right, and you may also have other rights which vary from state to state. To obtain service under this Limited Warranty, you can reach Stander at (800) 506-9901 or (435) 755-0453.



EMERGO EUROPE  
Prinsessegracht 20  
2514 AP The Hague  
The Netherlands



## WARNINGS

Security Pole, Item # 1150: This device is intended to assist disabled persons to provide moderate weight support while sitting or standing.

- a) Do not use or install this product unless you read and understand these warnings and instructions to ensure the product is properly used. If you have any questions regarding the use, associated risks, or anything at all regarding this product call Stander at (800) 506-9901 or (435) 755-0453.
- b) Do not alter the product in any way or vary the intended use of the product.
- c) Children should not be allowed to hang on or play with this product.
- d) No external items should be attached to this product.
- e) This product is for adult use only. It is not intended to be used by individuals who have paralysis, symptoms of dementia, sleeping disorders, incontinence, pain, uncontrolled body movement, or are unable to walk safely without assistance. It should not be used by individuals who suffer from confusion, restlessness, terminal restlessness, or are under the influence of medications, drugs or any substance that could impair their balance or judgment, or any other unforeseeable reasons that could affect the user's physical and mental ability to safely use this product. If you have questions, please consult a physician before using this product. This product is not intended to carry the full weight of an individual. This product is only intended to provide balance and support while sitting and standing.
- f) If this product is used in a nursing home, assisted living center, or a similar facility, follow these instructions and all of the institution's installation policies. If this product does not comply with those installation policies, do not install this product.
- g) **SAFETY PRECAUTIONS:** Serious injury or harm can result if the product is not properly installed. Stander is committed to providing safe products and informing the user of ways to prevent accidents. Do NOT install product on angled ceilings, suspended ceilings, or any other type of ceiling that would not allow the product to be properly secured between a floor and ceiling. The pole must be installed perpendicular to the floor and ceiling. All protective rubber pads should engage the ceiling and floor with an equally distributed force.
- h) If product is removed, it must be reinstalled per enclosed ASSEMBLY INSTRUCTIONS.
- i) Regularly check the product to make sure it is installed and positioned as per the ASSEMBLY INSTRUCTIONS. This product should not be used on any unstable surfaces or platforms that would allow the product to become dislodged or move during use of the product. This product is not intended to be placed inside a bathtub or inside a shower.
- j) Additional safety measures should be taken for users that are a high risk. High risk users include those who are not mentally conscious (including those individuals under medication), users who have size or weight conditions, or any condition that impair their ability to use the product without assistance.
- k) **DISCLAIMER:** Neither Stander nor the manufacturer are liable for any harm or injury that may result or has resulted from the improper use or assembly of the product.
- l) If you have any concerns or questions regarding these precautions, please contact Stander at (800) 506-9901.
- m) In the rare possibility of a serious event with any Stander product, contact a customer service representative at (800) 506-9901 or (435) 755-0453 immediately. Also report to the competent authority of your member state. A serious event is defined as death or serious deterioration in health that results in a life-threatening illness or injury, permanent impairment, hospitalization, or surgical intervention.

### **▲ WARNING ENTRAPMENT AND FALL HAZARD**

- Do NOT use or place near any type of bed. Use of product on any bed may result in risk of entrapment. Stander Inc. recommends NOT installing product closer than the user's ability to safely walk around the pole or there may be a possibility of becoming entrapped between the pole and the side of any object adjacent to the pole. Small gaps between pole/swivel handle and other stationary objects can entrap and kill.
- The Security Pole uses a spring-loaded pin that allows the handle to rotate and lock into several user positions. Make sure that the rotating handle is in a locked position before using the product. If the rotating handle is not locked before using, the user may fall and serious injury or harm could result
- People with Alzheimer's disease or dementia, or those who are sedated, confused, or frail, are at increased risk of entrapment and falls.
- Do NOT install the product on rugs or any other moveable objects. Do NOT install the product on floor conditions that would allow the base of the pole to slide or slip. If the base of the product moves after installation, the product is not safe to use.
- Failure to comply with these conditions could put the user(s) at risk of entrapment or falling.

## ASSEMBLY INSTRUCTIONS

### Specifications:

**Product Name:** Security Pole

**Product #:** 1150

**Maximum User Weight:** 300lbs (136kg)

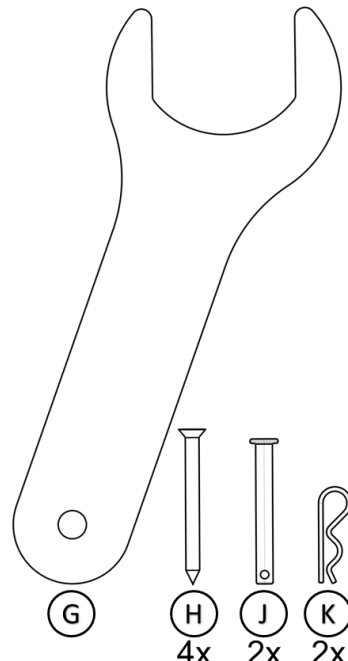
**Ceiling Height Range:** 7' (2.13m) 10' (3.04m)

**Compatibility:** Not intended for use on angled ceilings, suspended ceilings or inside a shower/bathtub.

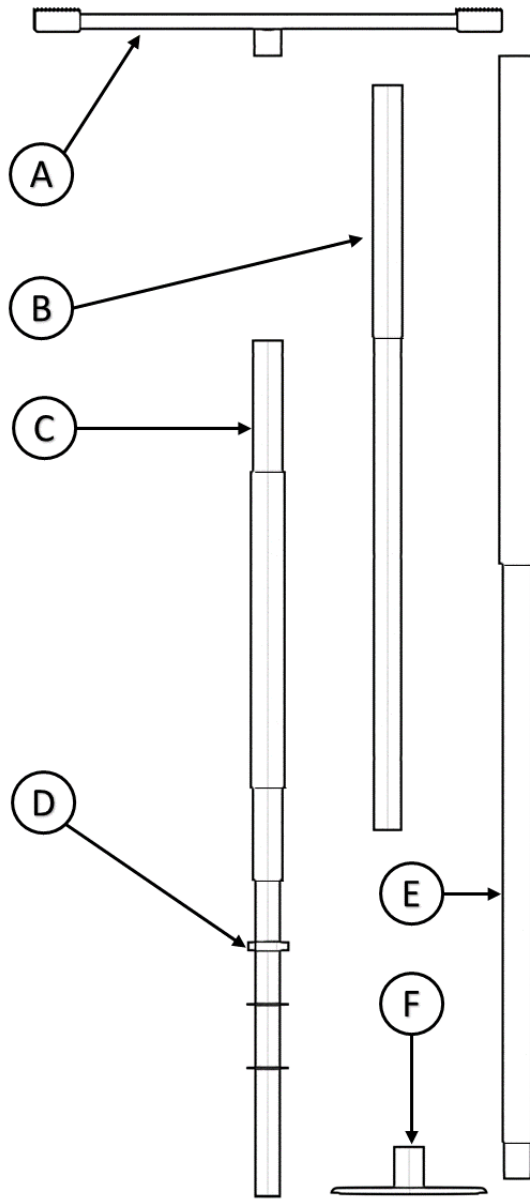
**Cleaning:** Clean product with warm water and soap. Dry thoroughly before using.

**Recycling:** Product should be recycled in accordance with national guidelines.

### **Hardware / Tools**

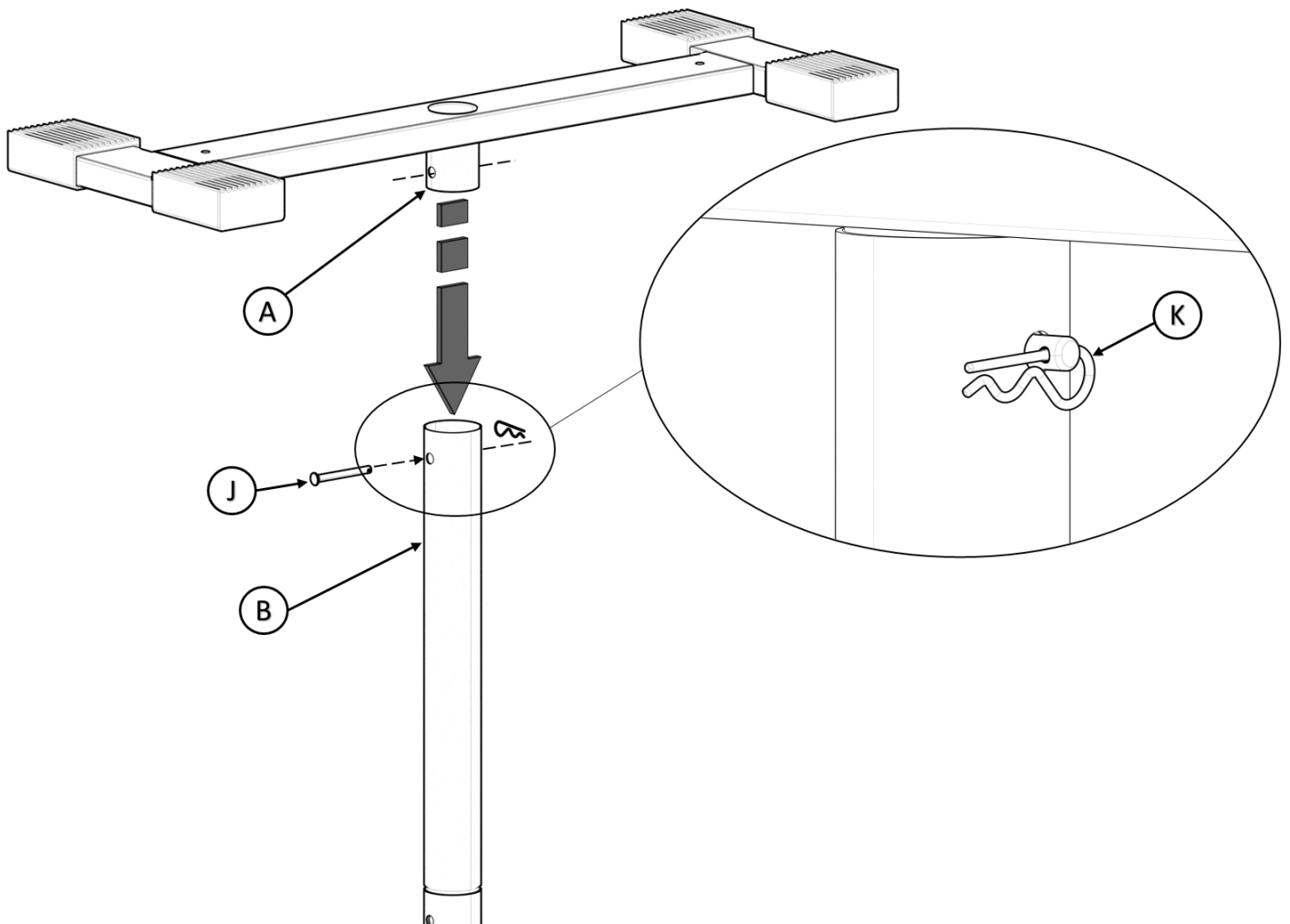


1. Remove product from box and identify all parts as shown in *FIGURE 1*.



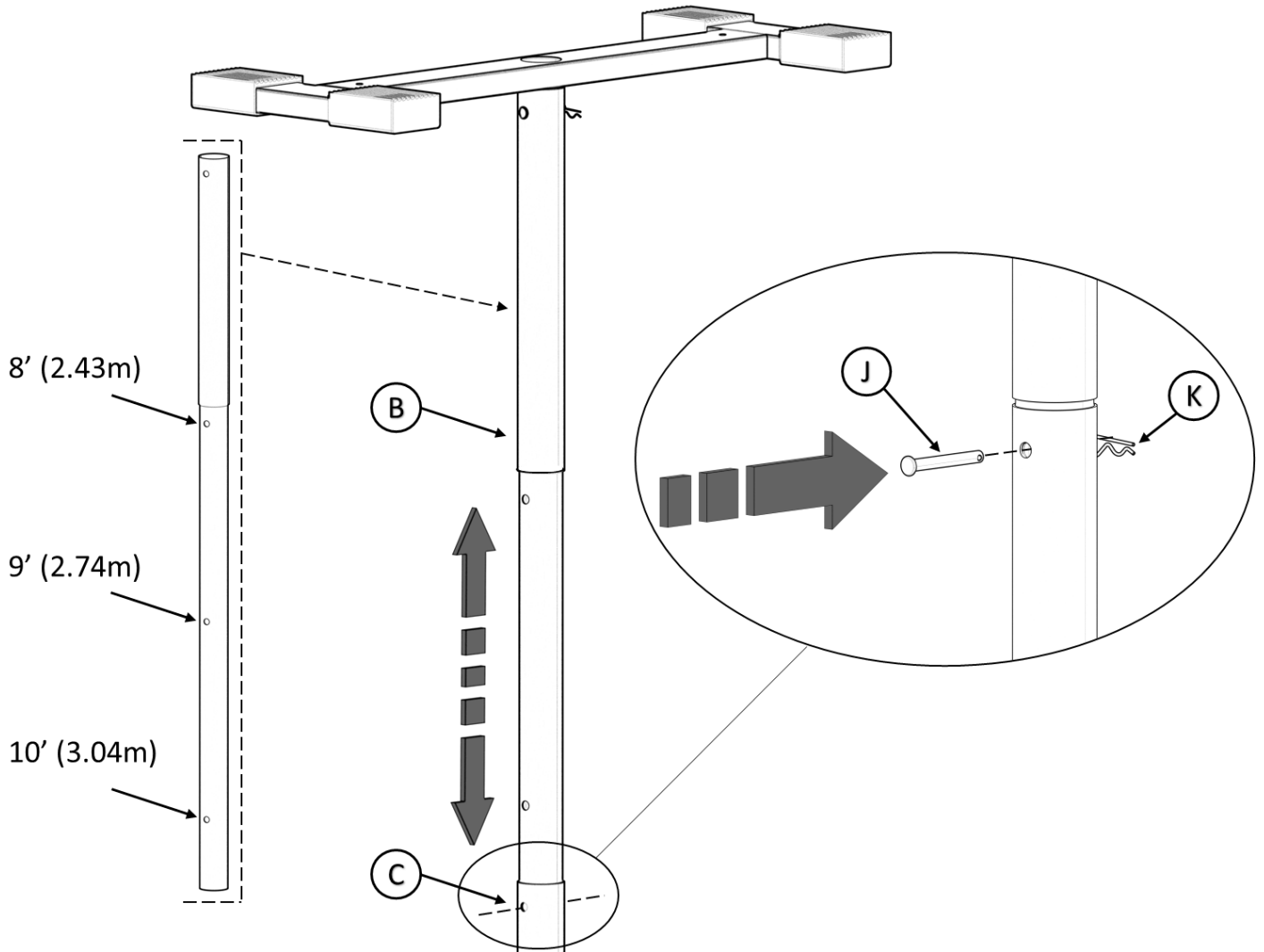
**FIGURE 1**

2. Insert **A** into **B**, align holes and insert **J** as shown in *FIGURE 2*. Insert **K** through **J** to secure.  
**Note:** for 7 foot ceiling, remove **B** and attach **A** to **C** and go to Step 4.



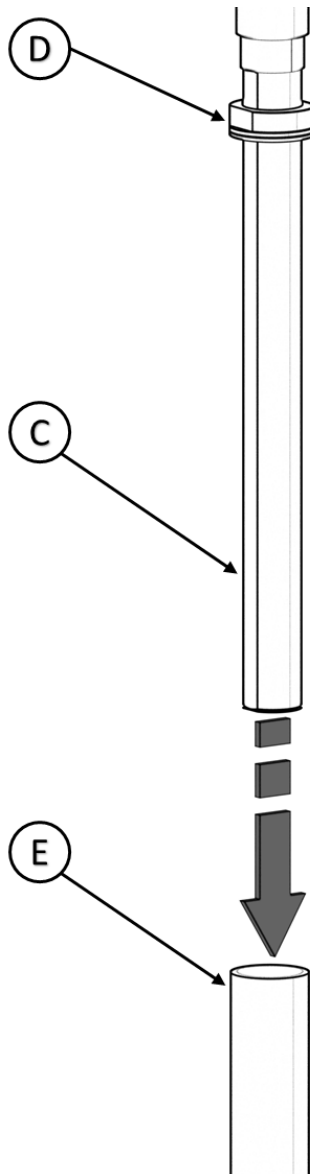
**FIGURE 2**

3. Determine height between the floor and ceiling and align the appropriate hole in **B** with the hole in **C** and insert **J** as shown in *FIGURE 3*. Insert **K** through **J** to secure.



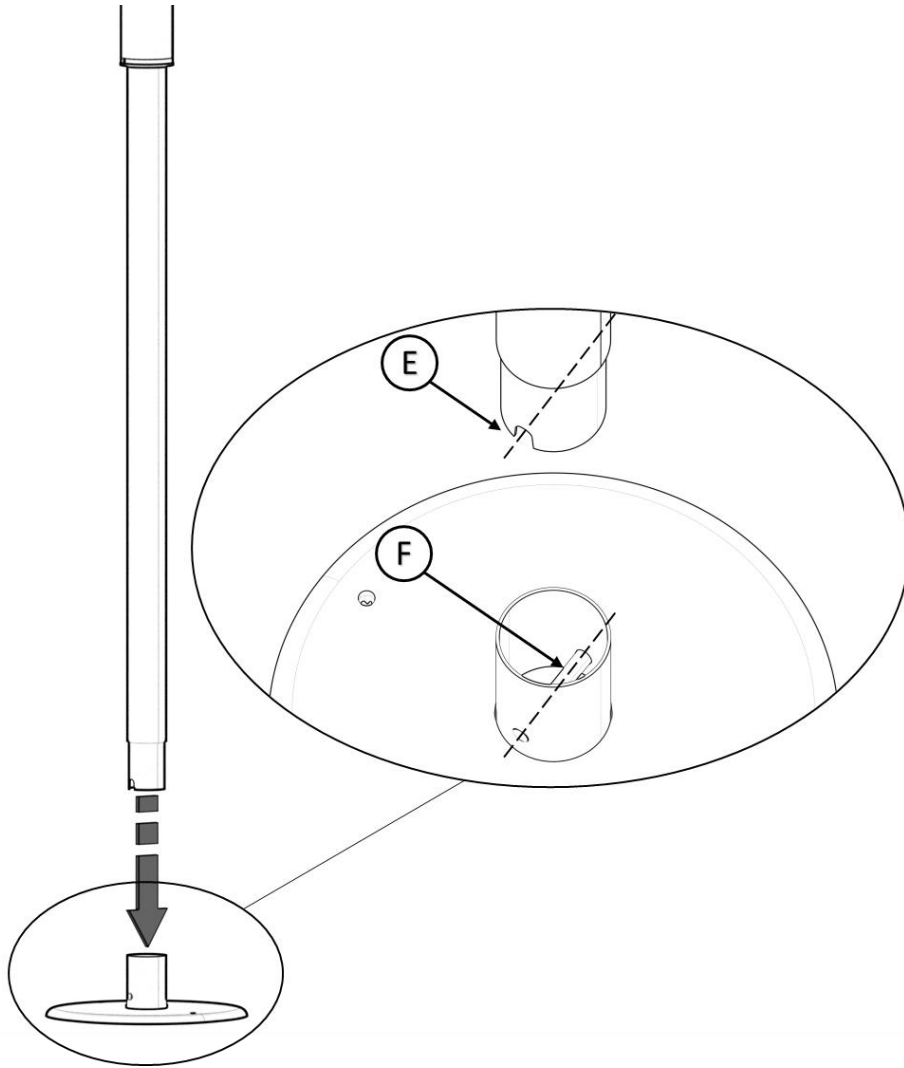
**FIGURE 3**

4. Twist **D** to its highest position and insert **C** into **E** as shown in *FIGURE 4*.



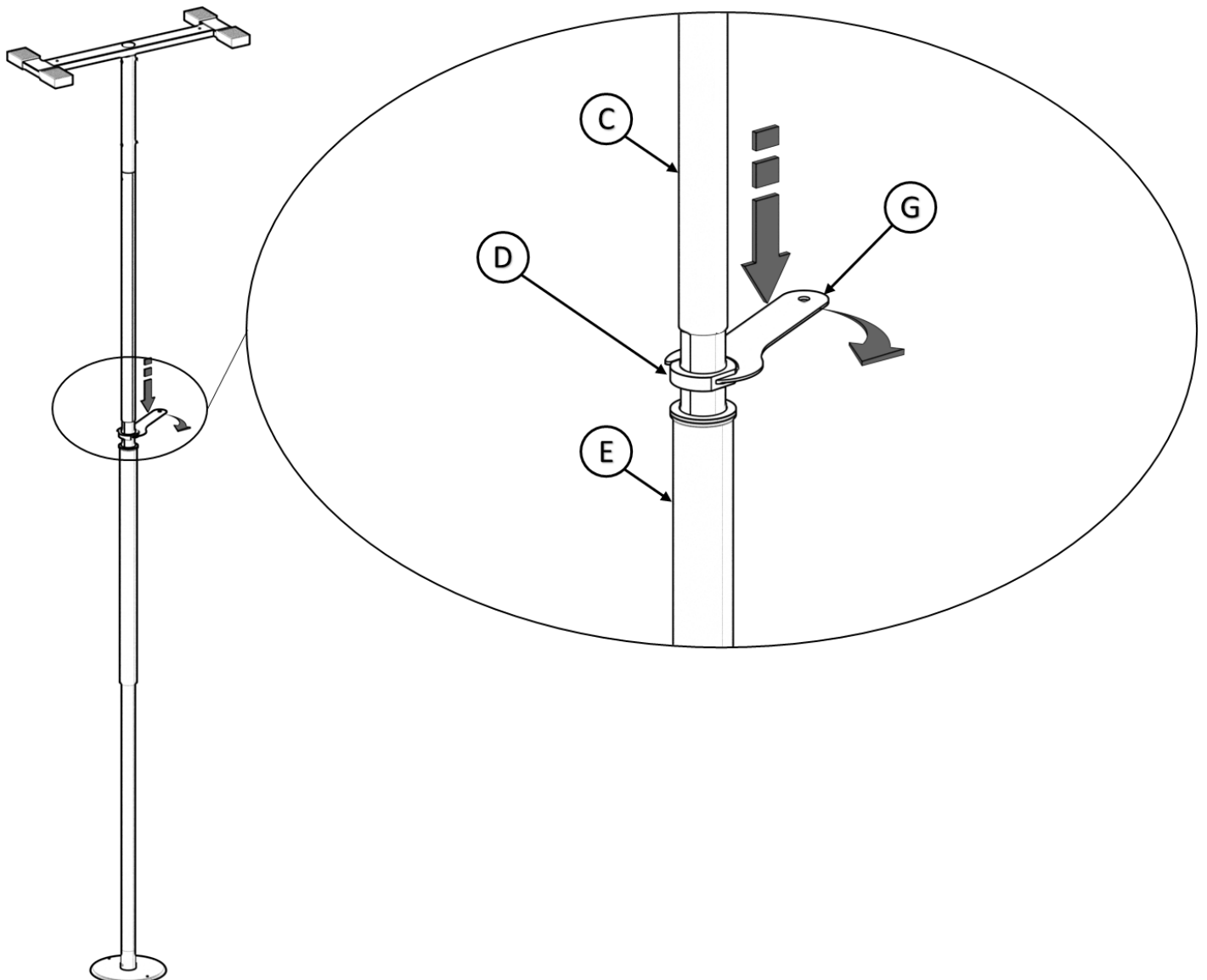
**FIGURE 4**

5. Place **F** on floor at target location and insert **E**. Make sure that the half hole in **E** is straddling the rod in **F** as shown in *FIGURE 5*.



**FIGURE 5**

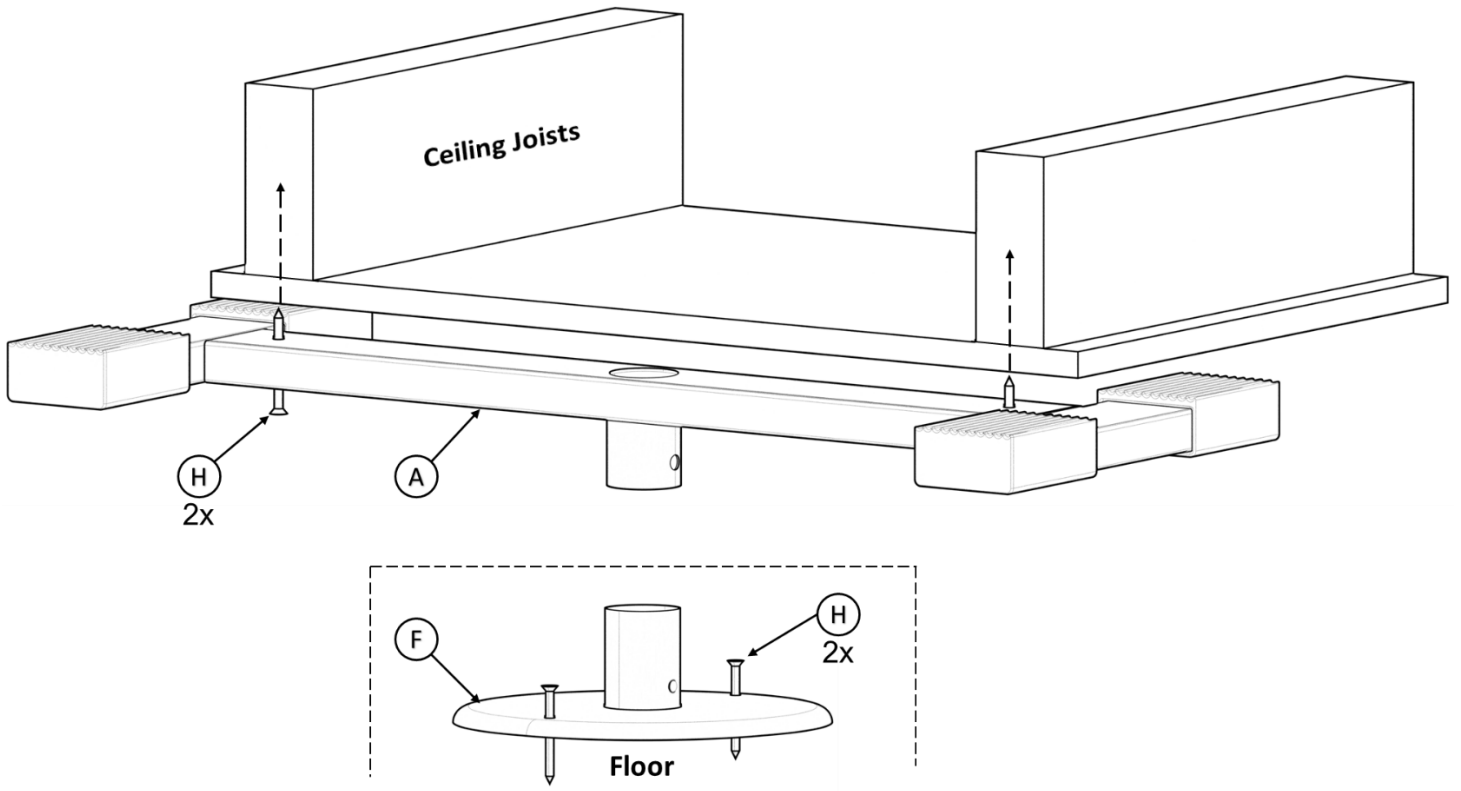
6. Making sure the Product is level, tighten **D** using **G** as shown in *FIGURE 6*, until the product is secured between the floor and ceiling with ABSOLUTELY NO sliding of the product between them.



**FIGURE 6**

**7. (OPTIONAL)**

To additionally secure, use the provided screws (**H**) as shown in *FIGURE 7*, making sure that **H** goes through the **Ceiling Joists**. If the **Floor** is ceramic or concrete, drill holes first.



**FIGURE 7**